

April 2008
No. OCS05
REVISED EDITION-E

TECHNICAL DATA BOOK R410A

<Indoor unit>

INVERTER

[Model names]

PLA-RP·BA(2)
PLA-RP·AA(2)
PEAD-RP·EA(2)
PEAD-RP·GA
PEA-RP·GA
PKA-RP·GAL
PKA-RP·FAL(2)
PCA-RP·GA(2)
PCA-RP·HA
PSA-RP·GA

Revision:

- PLA-RP·BA2 and PUAZ-RP·HA3 are added in REVISED EDITION-E.
- Some descriptions have been modified.

- Please void OCS05 REVISED EDITION-D.

<Outdoor unit>

[Model names]

PUHZ-RP35/50/60/71/100/125/140VHA2
PUHZ-RP35/50/60/71/100VHA3
PUHZ-RP100/125/140YHA2
PUHZ-RP100YHA3
PUHZ-RP200/250YHA2

CONTENTS

1. REFERENCE SERVICE MANUAL.....	2
2. SPECIFICATIONS	3
3. OUTLINES AND DIMENSIONS.....	30
4. WIRING DIAGRAM.....	54
5. REFRIGERANT SYSTEM DIAGRAM	75
6. PERFORMANCE CURVES	80
7. CORRECTION FACTORS	82
8. APPLICABLE EXTENSION PIPE FOR EACH MODEL	83
9. AIR FLOW DATA	92
10. NOISE CRITERION CURVES.....	111
11. OPTIONAL PARTS.....	124

kW Model



For information on service, please refer to the service manual as follows.

1-1. INDOOR UNIT

Model name	Service Ref.	Service Manual No.
PLA-RP35/50/60/71/100/125/140BA PLA-RP71/100/125BA2	PLA-RP35/50/60/71/100/125/140BA ⁽¹⁾ .UK PLA-RP71/100/125BA2.UK	OCH412 OCB412
	PLA-RP35/50/60/71/100/125/140BA	OCH416 OCB416
PLA-RP35/50/60/71AA	PLA-RP35/50/60/71AA.UK	OC335
	PLA-RP35/50/60/71AA	OC327
PLA-RP100/125/140AA2	PLA-RP100/125/140AA2.UK	OC357
PCA-RP50/60/71/100/125/140GA PCA-RP50GA2	PCA-RP50/60/71/100/125/140GA PCA-RP50GA2	OC328
PCA-RP71/125HA	PCA-RP71/125HA	OC329
PKA-RP35/50GAL	PKA-RP35/50GAL	OC330
PKA-RP60/71/100FAL PKA-RP50FAL2	PKA-RP60/71/100FAL PKA-RP50FAL2	OC331
PSA-RP71/100/125/140GA	PSA-RP71/100/125/140GA	OC332
PEAD-RP50/60/71/125/140EA PEAD-RP35/100EA2	PEAD-RP50/60/71/125/140EA.UK PEAD-RP35/100EA2.UK	HWE05210
PEAD-RP60/71/100GA	PEAD-RP60/71/100GA.UK	HWE05060
PEA-RP200/250/400/500GA	PEA-RP200/250/400/500GA.TH-AF PEA-RP200/250GA.TH-AFMF	HWE0708A

1-2. OUTDOOR UNIT

Model name	Service Ref.	Service Manual No.
PUHZ-RP35/50/60/71VHA2 PUHZ-RP100/125/140VHA2 PUHZ-RP100/125/140YHA2 PUHZ-RP35/50/60/71/100VHA3 PUHZ-RP100YHA3	PUHZ-RP35/50/60/71VHA2 ⁽¹⁾ PUHZ-RP100/125/140VHA2 ⁽¹⁾ PUHZ-RP100/125/140YHA2 ⁽¹⁾ PUHZ-RP35/50/60/71/100VHA3 PUHZ-RP100YHA3 PUHZ-RP60/71/100VHA3#1 PUHZ-RP100YHA3#1 PUHZ-RP125/140VHA2#2 PUHZ-RP125/140YHA2#2	OC374
PUHZ-RP200/250YHA2	PUHZ-RP200/250YHA2	OCH428 OCB428

2-1. CEILING CASSETTE TYPE

Model name	Indoor unit		PLA-RP35BA	PLA-RP50BA	
	Outdoor unit		PUHZ-RP35VHA2 PUHZ-RP35VHA3	PUHZ-RP50VHA2 PUHZ-RP50VHA3	
Cooling	Capacity	Btu/h	12,300	17,100	
		kW	3.6(1.6-4.5)	5.0(2.3-5.6)	
	Total input	kW	1.07	1.55	
	EER		3.36	3.23	
	Energy label class		A	A	
	SHF		0.84	0.81	
Heating	Capacity	Btu/h	14,000	20,500	
		kW	4.1(1.6-5.2)	6.0(2.5-7.3)	
	Total input	kW	1.12	1.66	
	COP		3.66	3.61	
	Energy label class		A	A	
	Booster heater		kW	-	-
Power supply	Phase	φ	1		
	Cycle	Hz	50		
	Voltage	V	230		
	Breaker size	A	16		
Indoor unit	Air flow (Low-Medium2-Medium1-High)	CMM	11-12-13-15	12-14-16-18	
		CFM	390-425-460-530	425-495-565-635	
	External pressure	Pa	0	0	
	Sound level (Low-Medium2-Medium1-High)	dB(A)	27-28-29-31	28-29-31-32	
	External finish (Panel)		White Munsell 6.4Y 8.9/0.4		
	Dimension Unit (Panel)	W : mm	840 (950)		
		D : mm	840 (950)		
		H : mm	258 (35)		
		W : inch	33-1/16 (37-3/8)		
		D : inch	33-1/16 (37-3/8)		
		H : inch	10-3/16 (1-3/8)		
	Weight Unit (Panel)	kg	22(6)		
		lbs	49(13)		
Field drain pipe O.D.	mm	32			
	inch	1-1/4			
Outdoor unit	Air flow	CMM	35		
		CFM	1,240		
	Sound level at cooling	dB(A)	44		
	Sound level at heating	dB(A)	46		
	External finish		Ivory Munsell 3Y 7.8/1.1		
	Dimension	W : mm	800		
		D : mm	300+23		
		H : mm	600		
		W : inch	31-1/2		
		D : inch	11-13/16 + 7/8		
		H : inch	23-5/8		
Weight	kg	45(VHA2)/42(VHA3)			
	lbs	99(VHA2)/92(VHA3)			
Refrigerant pipe size	Gas side O.D.	mm	12.7		
		inch	1/2		
	Liquid side O.D.	mm	6.35		
		inch	1/4		
Refrigerant pipe length	Height difference	m	Max. 30		
	Length	m	Max. 50		

NOTE: 1. Rating conditions (ISO T1)
Cooling Indoor : D.B. 27°C (80°F) W.B. 19°C (66°F) Outdoor : D.B. 35°C (95°F) W.B. 24°C (75°F)
Heating Indoor : D.B. 20°C (68°F) Outdoor : D.B. 7°C (45°F) W.B. 6°C (43°F)
Refrigerant piping length (one way) : 5m (16ft.)

2. Guaranteed operating range

		Indoor		Outdoor	
Cooling	Upper limit	D.B. 35°C, W.B. 22.5°C	D.B. 46°C		
	Lower limit	D.B. 19°C, W.B. 15°C	D.B. -5°C	*	
Heating	Upper limit	D.B. 28°C	D.B. 21°C, W.B. 15°C		
	Lower limit	D.B. 17°C	D.B. -11°C, W.B. -12°C		

3. Guaranteed voltage

198~264V, 50Hz

4. Above data are based on the indicated voltage.

Indoor unit Single phase 230V 50Hz

Outdoor unit Single phase 230V 50Hz

* If optional air protect guide installed. D.B. -15°C

Model name	Indoor unit		PLA-RP60BA	PLA-RP71BA
	Outdoor unit		PUHZ-RP60VHA2 PUHZ-RP60VHA3	PUHZ-RP71VHA2
Cooling	Capacity	Btu/h	20,500	24,200
		kW	6.0(2.7-6.7)	7.1(3.3-8.1)
	Total input	kW	1.65	2.12
	EER		3.64	3.35
	Energy label class		A	A
	SHF		0.76	0.73
Heating	Capacity	Btu/h	23,900	27,300
		kW	7.0(2.8-8.2)	8.0(3.5-10.2)
	Total input	kW	1.85	2.21
	COP		3.78	3.61
	Energy label class		A	A
	Booster heater	kW	—	—
Power supply	Phase	ϕ	1	
	Cycle	Hz	50	
	Voltage	V	230	
	Breaker size	A	25	
Indoor unit	Air flow (Low-Medium2-Medium1-High)	CMM	12-14-16-18	14-16-18-21
		CFM	425-495-565-635	495-565-635-740
	External pressure	Pa	0	0
	Sound level (Low-Medium2-Medium1-High)	dB(A)	28-29-31-32	28-30-32-34
	External finish (Panel)		White Munsell 6.4Y 8.9/0.4	
	Dimension Unit (Panel)	W : mm	840 (950)	
		D : mm	840 (950)	
		H : mm	258 (35)	
		W : inch	33-1/16 (37-3/8)	
		D : inch	33-1/16 (37-3/8)	
		H : inch	10-3/16 (1-3/8)	
	Weight Unit (Panel)	kg	23(6)	
		lbs	51(13)	
Field drain pipe O.D.	mm	32		
	inch	1-1/4		
Outdoor unit	Air flow	CMM	55	
		CFM	1,940	
	Sound level at cooling	dB(A)	47	
	Sound level at heating	dB(A)	48	
	External finish		Ivory Munsell 3Y 7.8/1.1	
	Dimension	W : mm	950	
		D : mm	330+30	
		H : mm	943	
		W : inch	37-3/8	
		D : inch	13 + 1-3/16	
Weight	kg	75(VHA2)/68(VHA3)		
	lbs	165(VHA2)/150(VHA3)		
Refrigerant pipe size	Gas side O.D.	mm	15.88	
		inch	5/8	
	Liquid side O.D.	mm	9.52	
		inch	3/8	
Refrigerant pipe length	Height difference	m	Max. 30	
	Length	m	Max. 50	

NOTE: 1. Rating conditions (ISO T1)
Cooling Indoor : D.B. 27°C (80°F) W.B. 19°C (66°F) Outdoor : D.B. 35°C (95°F) W.B. 24°C (75°F)
Heating Indoor : D.B. 20°C (68°F) Outdoor : D.B. 7°C (45°F) W.B. 6°C (43°F)
Refrigerant piping length (one way) : 5m (16ft.)

2. Guaranteed operating range

		Indoor	Outdoor
Cooling	Upper limit	D.B. 35°C, W.B. 22.5°C	D.B. 46°C
	Lower limit	D.B. 19°C, W.B. 15°C	D.B. -5°C *
Heating	Upper limit	D.B. 28°C	D.B. 21°C, W.B. 15°C
	Lower limit	D.B. 17°C	D.B. -11°C, W.B. -12°C

3. Guaranteed voltage

198~264V, 50Hz

4. Above data are based on the indicated voltage.

Indoor unit Single phase 230V 50Hz

Outdoor unit Single phase 230V 50Hz

* If optional air protect guide installed. D.B. -15°C



Model name	Indoor unit		PLA-RP71BA2	PLA-RP100BA2	PLA-RP125BA2
	Outdoor unit		PUHZ-RP71VHA3	PUHZ-RP100VHA3	PUHZ-RP125VHA2
Cooling	Capacity	Btu/h	24,200	34,100	42,700
		kW	7.1(3.3-8.1)	10.0(4.9-11.4)	12.5(5.5-14.0)
	Total input	kW	1.94	2.44	3.73
	EER		3.66	4.10	3.35
	Energy label class		A	A	A
	SHF		0.73	0.74	0.71
Heating	Capacity	Btu/h	27,300	38,200	47,800
		kW	8.0(3.5-10.2)	11.2(4.5-14.0)	14.0(5.0-16.0)
	Total input	kW	1.90	2.54	3.51
	COP		4.21	4.41	3.99
	Energy label class		A	A	A
	Booster heater	kW	-	-	-
Power supply	Phase	φ	1		
	Cycle	Hz	50		
	Voltage	V	230		
	Breaker size	A	25	32	
Indoor unit	Air flow (Low-Medium2-Medium1-High)	CMM	14-16-18-21	20-23-26-30	22-25-28-31
		CFM	495-565-635-740	710-810-920-1060	780-880-990-1090
	External pressure	Pa	0	0	0
	Sound level (Low-Medium2-Medium1-High)	dB(A)	28-30-32-34	32-34-37-40	34-36-39-41
	External finish (Panel)		White Munsell 6.4Y 8.9/0.4		
	Dimension Unit (Panel)	W : mm	840 (950)		
		D : mm	840 (950)		
		H : mm	258 (35)	298 (35)	
		W : inch	33-1/16 (37-3/8)		
		D : inch	33-1/16 (37-3/8)		
		H : inch	10-3/16 (1-3/8)	11-3/4 (1-3/8)	
	Weight Unit (Panel)	kg	23(6)	27(6)	
		lbs	51(13)	60(13)	
	Field drain pipe O.D.	mm	32		
inch		1-1/4			
Outdoor unit	Air flow	CMM	55	100	
		CFM	1,940	3,530	
	Sound level at cooling	dB(A)	47	49	50
	Sound level at heating	dB(A)	48	51	52
	External finish		Ivory Munsell 3Y 7.8/1.1		
	Dimension	W : mm	950		
		D : mm	330+30		
		H : mm	943	1,350	
		W : inch	37-3/8		
		D : inch	13 + 1-3/16		
		H : inch	37-1/8	53-1/8	
Weight	kg	68	116		
	lbs	150	256		
Refrigerant pipe size	Gas side O.D.	mm	15.88		
		inch	5/8		
	Liquid side O.D.	mm	9.52		
		inch	3/8		
Refrigerant pipe length	Height difference	m	Max. 30		
	Length	m	Max. 50	Max. 75	

NOTE: 1. Rating conditions (ISO T1)
Cooling Indoor : D.B. 27°C (80°F) W.B. 19°C (66°F) Outdoor : D.B. 35°C (95°F) W.B. 24°C (75°F)
Heating Indoor : D.B. 20°C (68°F) Outdoor : D.B. 7°C (45°F) W.B. 6°C (43°F)
Refrigerant piping length (one way) : 5m (16ft.)

2. Guaranteed operating range

		Indoor	Outdoor
Cooling	Upper limit	D.B. 35°C, W.B. 22.5°C	D.B. 46°C
	Lower limit	D.B. 19°C, W.B. 15°C	D.B. -5°C *
Heating	Upper limit	D.B. 28°C	D.B. 21°C, W.B. 15°C
	Lower limit	D.B. 17°C	D.B. -11°C, W.B. -12°C

3. Guaranteed voltage
198~264V, 50Hz

4. Above data are based on the indicated voltage.
Indoor unit Single phase 230V 50Hz
Outdoor unit Single phase 230V 50Hz

* If optional air protect guide installed. D.B. -15°C



Model name	Indoor unit		PLA-RP100BA	PLA-RP125BA	PLA-RP140BA	
	Outdoor unit		PUHZ-RP100VHA2	PUHZ-RP125VHA2	PUHZ-RP140VHA2	
Cooling	Capacity	Btu/h	34,100	42,700	47,800	
		kW	10.0(4.9-11.4)	12.5(5.5-14.0)	14.0(5.5-15.3)	
	Total input	kW	3.02	3.87	4.65	
	EER		3.31	3.23	3.01	
	Energy label class		A	A	B	
	SHF		0.74	0.71	0.71	
Heating	Capacity	Btu/h	38,200	47,800	54,600	
		kW	11.2(4.5-14.0)	14.0(5.0-16.0)	16.0(5.0-18.0)	
	Total input	kW	3.10	3.88	4.43	
	COP		3.61	3.61	3.61	
	Energy label class		A	A	A	
	Booster heater		kW	-	-	-
Power supply	Phase	φ	1			
	Cycle	Hz	50			
	Voltage	V	230			
	Breaker size	A	32		40	
	Air flow (Low-Medium2-Medium1-High)		CMM	20-23-26-30	22-25-28-31	24-26-29-32
		CFM	710-810-920-1060	780-880-990-1090	850-920-1020-1130	
External pressure		Pa	0			
Sound level (Low-Medium2-Medium1-High)		dB(A)	32-34-37-40	34-36-39-41	36-39-42-44	
External finish (Panel)		White Munsell 6.4Y 8.9/0.4				
Dimension	Unit (Panel)	W : mm	840 (950)			
		D : mm	840 (950)			
		H : mm	298 (35)			
		W : inch	33-1/16 (37-3/8)			
		D : inch	33-1/16 (37-3/8)			
		H : inch	11-3/4 (1-3/8)			
Weight	kg	25(6)		27(6)		
Unit (Panel)	lbs	55(13)		60(13)		
Field drain pipe O.D.	mm	32				
	inch	1-1/4				
Outdoor unit	Air flow	CMM	100			
		CFM	3,530			
	Sound level at cooling	dB(A)	49	50		
	Sound level at heating	dB(A)	51	52		
	External finish		Ivory Munsell 3Y 7.8/1.1			
	Dimension	Unit (Panel)	W : mm	950		
D : mm			330+30			
H : mm			1350			
W : inch			37-3/8			
D : inch			13 + 1-3/16			
H : inch			53-1/8			
Weight	kg	121	116			
	lbs	267	256			
Refrigerant pipe size	Gas side O.D.	mm	15.88			
		inch	5/8			
	Liquid side O.D.	mm	9.52			
		inch	3/8			
Refrigerant pipe length	Height difference	m	Max. 30			
	Length	m	Max. 75			

NOTE: 1. Rating conditions (ISO T1)
Cooling Indoor : D.B. 27°C (80°F) W.B. 19°C (66°F) Outdoor : D.B. 35°C (95°F) W.B. 24°C (75°F)
Heating Indoor : D.B. 20°C (68°F) Outdoor : D.B. 7°C (45°F) W.B. 6°C (43°F)
Refrigerant piping length (one way) : 5m (16ft.)

2. Guaranteed operating range

		Indoor	Outdoor
Cooling	Upper limit	D.B. 35°C, W.B. 22.5°C	D.B. 46°C
	Lower limit	D.B. 19°C, W.B. 15°C	D.B. -5°C *
Heating	Upper limit	D.B. 28°C	D.B. 21°C, W.B. 15°C
	Lower limit	D.B. 17°C	D.B. -20°C, W.B. -20°C

3. Guaranteed voltage

198~264V, 50Hz

4. Above data are based on the indicated voltage.

Indoor unit Single phase 230V 50Hz

Outdoor unit Single phase 230V 50Hz

* If optional air protect guide installed. D.B.-15°C



Model name	Indoor unit		PLA-RP100BA	PLA-RP125BA	PLA-RP140BA	
	Outdoor unit		PUHZ-RP100YHA2	PUHZ-RP125YHA2	PUHZ-RP140YHA2	
Cooling	Capacity	Btu/h	34,100	42,700	47,800	
		kW	10.0(4.9-11.4)	12.5(5.5-14.0)	14.0(5.5-15.3)	
	Total input	kW	3.02	3.87	4.65	
	EER		3.31	3.23	3.01	
	Energy label class		A	A	B	
	SHF		0.74	0.71	0.71	
Heating	Capacity	Btu/h	38,200	47,800	54,600	
		kW	11.2(4.5-14.0)	14.0(5.0-16.0)	16.0(5.0-18.0)	
	Total input	kW	3.10	3.88	4.43	
	COP		3.61	3.61	3.61	
	Energy label class		A	A	A	
	Booster heater		kW	-	-	-
Power supply	Phase		ϕ			
	Cycle		Hz			
	Voltage		V			
	Breaker size		A			
	Breaker size		A			
Indoor unit	Air flow (Low-Medium2-Medium1-High)	CMM	20-23-26-30	22-25-28-31	24-26-29-32	
		CFM	710-810-920-1060	780-880-990-1090	850-920-1020-1130	
	External pressure		Pa	0	0	0
	Sound level (Low-Medium2-Medium1-High)		dB(A)	32-34-37-40	34-36-39-41	36-39-42-44
	External finish (Panel)		White Munsell 6.4Y 8.9/0.4			
	Dimension Unit (Panel)	W : mm	840 (950)			
		D : mm	840 (950)			
	Dimension Unit (Panel)	H : mm	298 (35)			
		W : inch	33-1/16 (37-3/8)			
	Dimension Unit (Panel)	D : inch	33-1/16 (37-3/8)			
		H : inch	11-3/4 (1-3/8)			
	Weight Unit (Panel)	kg	25 (6)		27 (6)	
		lbs	55 (13)		60 (13)	
	Field drain pipe O.D.	mm	32			
inch		1-1/4				
Outdoor unit	Air flow	CMM	100			
		CFM	3,530			
	Sound level at cooling	dB(A)	49	50		
	Sound level at heating	dB(A)	51	52		
	External finish		Ivory Munsell 3Y 7.8/1.1			
	Dimension	W : mm	950			
		D : mm	330+30			
	Dimension	H : mm	1350			
		W : inch	37-3/8			
	Dimension	D : inch	13 + 1-3/16			
H : inch		53-1/8				
Weight	kg	135	130			
	lbs	298	287			
Refrigerant pipe size	Gas side O.D.	mm	15.88			
		inch	5/8			
	Liquid side O.D.	mm	9.52			
		inch	3/8			
Refrigerant pipe length	Height difference	m	Max. 30			
	Length	m	Max. 75			

NOTE: 1. Rating conditions (ISO T1)
Cooling Indoor : D.B. 27°C (80°F) W.B. 19°C (66°F) Outdoor : D.B. 35°C (95°F) W.B. 24°C (75°F)
Heating Indoor : D.B. 20°C (68°F) Outdoor : D.B. 7°C (45°F) W.B. 6°C (43°F)
Refrigerant piping length (one way) : 5m (16ft.)

2. Guaranteed operating range

		Indoor	Outdoor
Cooling	Upper limit	D.B. 35°C, W.B. 22.5°C	D.B. 46°C
	Lower limit	D.B. 19°C, W.B. 15°C	D.B. -5°C *
Heating	Upper limit	D.B. 28°C	D.B. 21°C, W.B. 15°C
	Lower limit	D.B. 17°C	D.B. -20°C, W.B. -20°C

3. Guaranteed voltage

Indoor unit 198~264V, 50Hz
Outdoor unit 342~457V, 50Hz

4. Above data are based on the indicated voltage.

Indoor unit Single phase 230V 50Hz
Outdoor unit 3 phase 400V 50Hz

* If optional air protect guide installed. D.B. -15°C



Model name	Indoor unit		PLA-RP100BA2	PLA-RP125BA2	
	Outdoor unit		PUHZ-RP100YHA3	PUHZ-RP125YHA2	
Cooling	Capacity	Btu/h	34,100	42,700	
		kW	10.0(4.9-11.4)	12.5(5.5-14.0)	
	Total input	kW	2.50	3.79	
	EER		4.00	3.30	
	Energy label class		A	A	
	SHF		0.74	0.71	
Heating	Capacity	Btu/h	38,200	47,800	
		kW	11.2(4.5-14.0)	14.0(5.0-16.0)	
	Total input	kW	2.60	3.57	
	COP		4.31	3.92	
	Energy label class		A	A	
	Booster heater		kW	-	-
Power supply	Phase	φ	3		
	Cycle	Hz	50		
	Voltage	V	400		
	Breaker size	A	16		
	Air flow (Low-Medium2-Medium1-High)		CMM	20-23-26-30	22-25-28-31
		CFM	710-810-920-1060	780-880-990-1090	
External pressure		Pa	0		
Sound level (Low-Medium2-Medium1-High)		dB(A)	32-34-37-40	34-36-39-41	
External finish (Panel)		White Munsell 6.4Y 8.9/0.4			
Dimension	Unit (Panel)	W : mm	840 (950)		
		D : mm	840 (950)		
		H : mm	298 (35)		
		W : inch	33-1/16 (37-3/8)		
		D : inch	33-1/16 (37-3/8)		
		H : inch	11-3/4 (1-3/8)		
Weight	Unit (Panel)	kg	27 (6)		
		lbs	60 (13)		
Field drain pipe O.D.		mm	32		
		inch	1-1/4		
Outdoor unit	Air flow	CMM	100		
		CFM	3,530		
	Sound level at cooling	dB(A)	49	50	
		dB(A)	51	52	
	Sound level at heating	dB(A)	51	52	
		dB(A)	51	52	
	External finish		Ivory Munsell 3Y 7.8/1.1		
	Dimension	Unit (Panel)	W : mm	950	
			D : mm	330+30	
			H : mm	1350	
W : inch			37-3/8		
D : inch			13 + 1-3/16		
H : inch			53-1/8		
Weight	Unit (Panel)	kg	130		
		lbs	287		
Refrigerant pipe size	Gas side O.D.	mm	15.88		
		inch	5/8		
	Liquid side O.D.	mm	9.52		
		inch	3/8		
Refrigerant pipe length	Height difference	m	Max. 30		
	Length	m	Max. 75		

NOTE: 1. Rating conditions (ISO T1)
Cooling Indoor : D.B. 27°C (80°F) W.B. 19°C (66°F) Outdoor : D.B. 35°C (95°F) W.B. 24°C (75°F)
Heating Indoor : D.B. 20°C (68°F) Outdoor : D.B. 7°C (45°F) W.B. 6°C (43°F)
Refrigerant piping length (one way) : 5m (16ft.)

2. Guaranteed operating range

		Indoor	Outdoor
Cooling	Upper limit	D.B. 35°C, W.B. 22.5°C	D.B. 46°C
	Lower limit	D.B. 19°C, W.B. 15°C	D.B. -5°C *
Heating	Upper limit	D.B. 28°C	D.B. 21°C, W.B. 15°C
	Lower limit	D.B. 17°C	D.B. -20°C, W.B. -20°C

3. Guaranteed voltage

Indoor unit 198~264V, 50Hz
Outdoor unit 342~457V, 50Hz

4. Above data are based on the indicated voltage.

Indoor unit Single phase 230V 50Hz

Outdoor unit 3 phase 400V 50Hz

* If optional air protect guide installed. D.B.-15°C



Model name	Indoor unit		PLA-RP35AA	PLA-RP50AA	
	Outdoor unit		PUHZ-RP35VHA2	PUHZ-RP50VHA2	
Cooling	Capacity	Btu/h	12,300	17,100	
		kW	3.6(1.6-4.5)	5.0(2.3-5.6)	
	Total input	kW	1.07	1.55	
	EER		3.36	3.23	
	Energy label class		A	A	
	SHF		0.89	0.86	
Heating	Capacity	Btu/h	14,000	20,500	
		kW	4.1(1.6-5.2)	6.0(2.5-7.3)	
	Total input	kW	1.12	1.62	
	COP		3.66	3.70	
	Energy label class		A	A	
	Booster heater		kW	-	-
Power supply	Phase	ϕ	1		
	Cycle	Hz	50		
	Voltage	V	230		
	Breaker size	A	16		
Indoor unit	Air flow (Low-Medium2-Medium1-High)	CMM	11-12-13-14	14-15-16-18	
		CFM	390-425-460-495	495-530-565-635	
	External pressure	Pa	0		
	Sound level (Low-Medium2-Medium1-High)	dB(A)	27-28-29-31	28-29-31-33	
	External finish (Panel)		White Munsell 0.70Y 8.59/0.97		
	Dimension Unit (Panel)	W : mm	840 (950)		
		D : mm	840 (950)		
		H : mm	258 (30)		
		W : inch	33-1/16 (37-3/8)		
		D : inch	33-1/16 (37-3/8)		
		H : inch	10-3/16 (1-3/16)		
Weight Unit (Panel)	kg	24 (5)			
	lbs	53 (11)			
Field drain pipe O.D.	mm	32			
	inch	1-1/4			
Outdoor unit	Air flow	CMM	35		
		CFM	1,240		
	Sound level at cooling	dB(A)	44		
	Sound level at heating	dB(A)	46		
	External finish		Ivory Munsell 3Y 7.8/1.1		
	Dimension	W : mm	800		
		D : mm	300+23		
		H : mm	600		
		W : inch	31-1/2		
		D : inch	11-13/16 + 7/8		
		H : inch	23-5/8		
Weight	kg	45			
	lbs	99			
Refrigerant pipe size	Gas side O.D.	mm	12.7		
		inch	1/2		
	Liquid side O.D.	mm	6.35		
		inch	1/4		
Refrigerant pipe length	Height difference	m	Max. 30		
	Length	m	Max. 50		

NOTE: 1. Rating conditions (ISO T1)
Cooling Indoor : D.B. 27°C (80°F) W.B. 19°C (66°F) Outdoor : D.B. 35°C (95°F) W.B. 24°C (75°F)
Heating Indoor : D.B. 20°C (68°F) Outdoor : D.B. 7°C (45°F) W.B. 6°C (43°F)
Refrigerant piping length (one way) : 5m (16ft.)

2. Guaranteed operating range

		Indoor	Outdoor
Cooling	Upper limit	D.B. 35°C, W.B. 22.5°C	D.B. 46°C
	Lower limit	D.B. 19°C, W.B. 15°C	D.B. -5°C *
Heating	Upper limit	D.B. 28°C	D.B. 21°C, W.B. 15°C
	Lower limit	D.B. 17°C	D.B. -11°C, W.B. -12°C

3. Guaranteed voltage
198~264V, 50Hz

4. Above data are based on the indicated voltage.
Indoor unit Single phase 230V 50Hz
Outdoor unit Single phase 230V 50Hz

* If optional air protect guide installed. D.B.-15°C



Model name	Indoor unit		PLA-RP60AA	PLA-RP71AA	
	Outdoor unit		PUHZ-RP60VHA2	PUHZ-RP71VHA2	
Cooling	Capacity	Btu/h	20,500	24,200	
		kW	6.0(2.7-6.7)	7.1(3.3-8.1)	
	Total input	kW	1.65	1.97	
	EER		3.64	3.60	
	Energy label class		A	A	
	SHF		0.78	0.74	
Heating	Capacity	Btu/h	23,900	27,300	
		kW	7.0(2.8-8.2)	8.0(3.5-10.2)	
	Total input	kW	1.85	2.34	
	COP		3.78	3.42	
	Energy label class		A	B	
	Booster heater		kW	-	-
Power supply	Phase	φ	1		
	Cycle	Hz	50		
	Voltage	V	230		
	Breaker size	A	25		
	Air flow		CMM	14-15-16-18	15-16-18-20
(Low-Medium2-Medium1-High)		CFM	495-530-565-635	530-565-635-705	
External pressure		Pa	0	0	
Sound level (Low-Medium2-Medium1-High)		dB(A)	28-29-31-33	28-30-32-34	
External finish (Panel)		White Munsell 0.70Y 8.59/0.97			
Dimension Unit (Panel)	Weight Unit (Panel)	W : mm	840 (950)		
		D : mm	840 (950)		
		H : mm	258 (30)		
		W : inch	33-1/16 (37-3/8)		
		D : inch	33-1/16 (37-3/8)		
		H : inch	10-3/16 (1-3/16)		
		Field drain pipe O.D.	mm	32	
	inch	1-1/4			
Outdoor unit	Air flow	CMM	55		
		CFM	1,940		
	Sound level at cooling	dB(A)	47		
	Sound level at heating	dB(A)	48		
	External finish		Ivory Munsell 3Y 7.8/1.1		
	Dimension	Weight	W : mm	950	
			D : mm	330+30	
			H : mm	943	
			W : inch	37-3/8	
			D : inch	13 + 1-3/16	
			H : inch	37-1/8	
lbs	165				
Refrigerant pipe size	Gas side O.D.	mm	15.88		
		inch	5/8		
	Liquid side O.D.	mm	9.52		
		inch	3/8		
Refrigerant pipe length	Height difference	m	Max. 30		
	Length	m	Max. 50		

NOTE: 1. Rating conditions (ISO T1)
Cooling Indoor : D.B. 27°C (80°F) W.B. 19°C (66°F) Outdoor : D.B. 35°C (95°F) W.B. 24°C (75°F)
Heating Indoor : D.B. 20°C (68°F) Outdoor : D.B. 7°C (45°F) W.B. 6°C (43°F)
Refrigerant piping length (one way) : 5m (16ft.)

2. Guaranteed operating range

		Indoor	Outdoor
Cooling	Upper limit	D.B. 35°C, W.B. 22.5°C	D.B. 46°C
	Lower limit	D.B. 19°C, W.B. 15°C	D.B. -5°C *
Heating	Upper limit	D.B. 28°C	D.B. 21°C, W.B. 15°C
	Lower limit	D.B. 17°C	D.B. -11°C, W.B. -12°C

3. Guaranteed voltage
198~264V, 50Hz
4. Above data are based on the indicated voltage.
Indoor unit Single phase 230V 50Hz
Outdoor unit Single phase 230V 50Hz
* If optional air protect guide installed. D.B.-15°C



Model name	Indoor unit		PLA-RP100AA2	PLA-RP125AA2	PLA-RP140AA2
	Outdoor unit		PUHZ-RP100VHA2	PUHZ-RP125VHA2	PUHZ-RP140VHA2
Cooling	Capacity	Btu/h	34,100	42,700	47,800
		kW	10.0(4.9-11.4)	12.5(5.5-14.0)	14.0(5.5-15.3)
	Total input	kW	3.02	3.87	4.65
	EER		3.31	3.23	3.01
	Energy label class		A	A	B
	SHF		0.78	0.74	0.71
Heating	Capacity	Btu/h	38,200	47,800	54,600
		kW	11.2(4.5-14.0)	14.0(5.0-16.0)	16.0(5.0-18.0)
	Total input	kW	3.02	3.88	4.69
	COP		3.61	3.61	3.41
	Energy label class		A	A	B
	Booster heater	kW	-	-	-
Power supply	Phase	ϕ	1		
	Cycle	Hz	50		
	Voltage	V	230		
	Breaker size	A	32	40	
	Indoor unit	Air flow	CMM	19-21-23-27	24-25-27-30
(Low-Medium2-Medium1-High)		CFM	670-740-810-950	850-880-950-1060	
External pressure		Pa	0	0	
Sound level		dB(A)	33-36-39-41	37-40-43-45	
(Low-Medium2-Medium1-High)					
External finish (Panel)			White Munsell 0.70Y 8.59/0.97		
Dimension		W : mm		840 (950)	
		D : mm		840 (950)	
		H : mm		298 (30)	
		W : inch		33-1/16 (37-3/8)	
		D : inch		33-1/16 (37-3/8)	
		H : inch		11-3/4 (1-3/16)	
Weight		kg		32 (5)	
	Unit (Panel)	lbs	71 (11)		
Field drain pipe O.D.	mm		32		
	inch		1-1/4		
Outdoor unit	Air flow	CMM	100		
		CFM	3,530		
	Sound level at cooling	dB(A)	49	50	
	Sound level at heating	dB(A)	51	52	
	External finish		Ivory Munsell 3Y 7.8/1.1		
	Dimension	W : mm		950	
		D : mm		330+30	
		H : mm		1350	
		W : inch		37-3/8	
		D : inch		13 + 1-3/16	
		H : inch		53-1/8	
Weight	kg	121	116		
	lbs	267	256		
Refrigerant pipe size	Gas side O.D.	mm	15.88		
		inch	5/8		
	Liquid side O.D.	mm	9.52		
		inch	3/8		
Refrigerant pipe length	Height difference	m	Max. 30		
	Length	m	Max. 75		

- NOTE:**
- Rating conditions (ISO T1)
 Cooling Indoor : D.B. 27°C (80°F) W.B. 19°C (66°F) Outdoor : D.B. 35°C (95°F) W.B. 24°C (75°F)
 Heating Indoor : D.B. 20°C (68°F) Outdoor : D.B. 7°C (45°F) W.B. 6°C (43°F)
 Refrigerant piping length (one way) : 5m (16ft.)

2. Guaranteed operating range

		Indoor	Outdoor
Cooling	Upper limit	D.B. 35°C, W.B. 22.5°C	D.B. 46°C
	Lower limit	D.B. 19°C, W.B. 15°C	D.B. -5°C *
Heating	Upper limit	D.B. 28°C	D.B. 21°C, W.B. 15°C
	Lower limit	D.B. 17°C	D.B. -20°C, W.B. -20°C

- Guaranteed voltage
198~264V, 50Hz
- Above data are based on the indicated voltage.
 Indoor unit Single phase 230V 50Hz
 Outdoor unit Single phase 230V 50Hz
- * If optional air protect guide installed. D.B.-15°C



Model name	Indoor unit		PLA-RP100AA2	PLA-RP125AA2	PLA-RP140AA2	
	Outdoor unit		PUHZ-RP100YHA2	PUHZ-RP125YHA2	PUHZ-RP140YHA2	
Cooling	Capacity	Btu/h	34,100	42,700	47,800	
		kW	10.0(4.9-11.4)	12.5(5.5-14.0)	14.0(5.5-15.3)	
	Total input	kW	3.02	3.87	4.65	
	EER		3.31	3.23	3.01	
	Energy label class		A	A	B	
	SHF		0.78	0.74	0.71	
Heating	Capacity	Btu/h	38,200	47,800	54,600	
		kW	11.2(4.5-14.0)	14.0(5.0-16.0)	16.0(5.0-18.0)	
	Total input	kW	3.02	3.88	4.69	
	COP		3.61	3.61	3.41	
	Energy label class		A	A	B	
	Booster heater		kW	-	-	-
Power supply	Phase	ϕ	3			
	Cycle	Hz	50			
	Voltage	V	400			
	Breaker size	A	16			
	Air flow (Low-Medium2-Medium1-High)		CMM	19-21-23-27	24-25-27-30	
		CFM	670-740-810-950	850-880-950-1060		
External pressure		Pa	0			
Sound level (Low-Medium2-Medium1-High)		dB(A)	33-36-39-41	37-40-43-45		
External finish (Panel)		White Munsell 0.70Y 8.59/0.97				
Dimension Unit (Panel)	W : mm D : mm H : mm W : inch D : inch H : inch	W : mm	840 (950)			
		D : mm	840 (950)			
		H : mm	298 (30)			
		W : inch	33-1/16 (37-3/8)			
		D : inch	33-1/16 (37-3/8)			
		H : inch	11-3/4 (1-3/16)			
		Weight Unit (Panel)	kg	32 (5)		
Field drain pipe O.D.	lbs	71 (11)				
	mm	32				
		inch	1-1/4			
Outdoor unit	Air flow	CMM	100			
		CFM	3,530			
	Sound level at cooling	dB(A)	49	50		
	Sound level at heating	dB(A)	51	52		
	External finish		Ivory Munsell 3Y 7.8/1.1			
	Dimension	W : mm D : mm H : mm W : inch D : inch H : inch	W : mm	950		
			D : mm	330+30		
			H : mm	1350		
			W : inch	37-3/8		
			D : inch	13 + 1-3/16		
			H : inch	53-1/8		
Weight	kg	135	130			
	lbs	298	287			
Refrigerant pipe size	Gas side O.D.	mm	15.88			
		inch	5/8			
	Liquid side O.D.	mm	9.52			
		inch	3/8			
Refrigerant pipe length	Height difference	m	Max. 30			
	Length	m	Max. 75			

NOTE: 1. Rating conditions (ISO T1)
Cooling Indoor : D.B. 27°C (80°F) W.B. 19°C (66°F) Outdoor : D.B. 35°C (95°F) W.B. 24°C (75°F)
Heating Indoor : D.B. 20°C (68°F) Outdoor : D.B. 7°C (45°F) W.B. 6°C (43°F)
Refrigerant piping length (one way) : 5m (16ft.)

		Indoor	Outdoor
Cooling	Upper limit	D.B. 35°C, W.B. 22.5°C	D.B. 46°C
	Lower limit	D.B. 19°C, W.B. 15°C	D.B. -5°C *
Heating	Upper limit	D.B. 28°C	D.B. 21°C, W.B. 15°C
	Lower limit	D.B. 17°C	D.B. -20°C, W.B. -20°C

3. Guaranteed voltage
Indoor unit 198~264V, 50Hz
Outdoor unit 342~457V, 50Hz
4. Above data are based on the indicated voltage.
Indoor unit Single phase 230V 50Hz
Outdoor unit 3 phase 400V 50Hz
* If optional air protect guide installed. D.B.-15°C

2-2. CEILING-CONCEALED TYPE

Model name	Indoor unit		PEAD-RP35EA2	PEAD-RP50EA	
	Outdoor unit		PUHZ-RP35VHA2 PUHZ-RP35VHA3	PUHZ-RP50VHA2 PUHZ-RP50VHA3	
Cooling	Capacity	Btu/h	12,300	16,700	
		kW	3.6(1.6-4.5)	4.9(2.3-5.6)	
	Total input	kW	1.12	1.52	
	EER		3.21	3.22	
	Energy label class		A	A	
	SHF		0.89	0.82	
Heating	Capacity	Btu/h	14,000	20,500	
		kW	4.1(1.6-5.2)	6.0(2.5-7.3)	
	Total input	kW	1.20	1.65	
	COP		3.41	3.64	
	Energy label class		B	A	
	Booster heater		kW	-	-
Power supply	Phase		ϕ	1	
	Cycle		Hz	50	
	Voltage		V	230	
	Breaker size		A	16	
	Indoor unit	Air flow		CMM	13.5-17
(Low-High)		CFM	476-600		
External pressure		Pa	30(70)		
Sound level		dB(A)	36-40		
(Low-High)			(70Pa : 38-44)		
External finish			Galvanized sheets		
Dimension		W : mm		935	
		D : mm		700	
		H : mm		295	
		W : inch		36-13/16	
		D : inch		27-5/8	
		H : inch		11-5/8	
Weight		kg		33	35
		lbs		73	77
Unit drain pipe			R1(External thread)		
Outdoor unit	Air flow		CMM	35	
			CFM	1,240	
	Sound level at cooling		dB(A)	44	
	Sound level at heating		dB(A)	46	
	External finish			Ivory Munsell 3Y 7.8/1.1	
	Dimension	W : mm		800	
		D : mm		300+23	
		H : mm		600	
		W : inch		31-1/2	
		D : inch		11-13/16 + 7/8	
H : inch		23-5/8			
Weight	kg		45(VHA2)/42(VHA3)		
	lbs		99(VHA2)/92(VHA3)		
Refrigerant pipe size	Gas side O.D.		mm	12.7	
			inch	1/2	
	Liquid side O.D.		mm	6.35	
			inch	1/4	
Refrigerant pipe length	Height difference		m	Max. 30	
	Length		m	Max. 50	

NOTE: 1. Rating conditions (ISO T1)
Cooling Indoor : D.B. 27°C (80°F) W.B. 19°C (66°F) Outdoor : D.B. 35°C (95°F) W.B. 24°C (75°F)
Heating Indoor : D.B. 20°C (68°F) Outdoor : D.B. 7°C (45°F) W.B. 6°C (43°F)
Refrigerant piping length (one way) : 5m (16ft.)

2. Guaranteed operating range

		Indoor	Outdoor
Cooling	Upper limit	D.B. 35°C, W.B. 22.5°C	D.B. 46°C
	Lower limit	D.B. 19°C, W.B. 15°C	D.B. -5°C *
Heating	Upper limit	D.B. 28°C	D.B. 21°C, W.B. 15°C
	Lower limit	D.B. 17°C	D.B. -11°C, W.B. -12°C

3. Guaranteed voltage

198~264V, 50Hz

4. Above data are based on the indicated voltage.

Indoor unit Single phase 230V 50Hz

Outdoor unit Single phase 230V 50Hz

* If optional air protect guide installed. D.B.-15°C



Model name	Indoor unit		PEAD-RP60EA	PEAD-RP71EA			
	Outdoor unit		PUHZ-RP60VHA2 PUHZ-RP60VHA3	PUHZ-RP71VHA2 PUHZ-RP71VHA3			
Cooling	Capacity	Btu/h	20,500	24,200			
		kW	6.0(2.7-6.7)	7.1(3.3-8.1)			
	Total input	kW	1.86	2.15			
	EER		3.23	3.30			
	Energy label class		A	A			
	SHF		0.79	0.83			
Heating	Capacity	Btu/h	23,900	27,300			
		kW	7.0(2.8-8.2)	8.0(3.5-10.2)			
	Total input	kW	1.90	2.34			
	COP		3.68	3.42			
	Energy label class		A	B			
	Booster heater		kW	-	-		
Power supply	Phase	φ	1				
	Cycle	Hz	50				
	Voltage	V	230				
	Breaker size	A	25				
Indoor unit	Air flow	CMM	17-21	20-25			
		(Low-High)	CFM	600-741	706-883		
	External pressure	Pa	30(70)	70(130)			
	Sound level	dB(A)	37-41	37-41			
			(70Pa : 39-46)	(130Pa : 40-45)			
	External finish		Galvanized sheets				
	Dimension	W : mm	1175				
			D : mm	700	740		
			H : mm	295	325		
			W : inch	46-1/8			
				D : inch	27-5/8	29-1/8	
				H : inch	11-5/8	12-13/16	
	Weight	kg	42	44			
lbs		92	97				
Unit drain pipe		R1(External thread)					
Outdoor unit	Air flow	CMM	55	55			
		CFM	1,940	1,940			
	Sound level at cooling	dB(A)	47	47			
	Sound level at heating	dB(A)	48	48			
	External finish		Ivory Munsell 3Y 7.8/1.1				
	Dimension	W : mm	950	950			
			D : mm	330+30	330+30		
			H : mm	943	943		
			W : inch	37-3/8			
				D : inch	13 + 1-3/16	13 + 1-3/16	
				H : inch	37-1/8	37-1/8	
Weight	kg	75(VHA2)/68(VHA3)					
	lbs	165(VHA2)/150(VHA3)					
Refrigerant pipe size	Gas side O.D.	mm	15.88	15.88			
		inch	5/8	5/8			
	Liquid side O.D.	mm	9.52	9.52			
		inch	3/8	3/8			
Refrigerant pipe length	Height difference	m	Max. 30	Max. 30			
	Length	m	Max. 50	Max. 50			

NOTE: 1. Rating conditions (ISO T1)
Cooling Indoor : D.B. 27°C (80°F) W.B. 19°C (66°F) Outdoor : D.B. 35°C (95°F) W.B. 24°C (75°F)
Heating Indoor : D.B. 20°C (68°F) Outdoor : D.B. 7°C (45°F) W.B. 6°C (43°F)
Refrigerant piping length (one way) : 5m (16ft.)

2. Guaranteed operating range

		Indoor	Outdoor
Cooling	Upper limit	D.B. 35°C, W.B. 22.5°C	D.B. 46°C
	Lower limit	D.B. 19°C, W.B. 15°C	D.B. -5°C *
Heating	Upper limit	D.B. 28°C	D.B. 21°C, W.B. 15°C
	Lower limit	D.B. 17°C	D.B. -11°C, W.B. -12°C

3. Guaranteed voltage
198~264V, 50Hz

4. Above data are based on the indicated voltage.
Indoor unit Single phase 230V 50Hz
Outdoor unit Single phase 230V 50Hz

* If optional air protect guide installed. D.B.-15°C



Model name	Indoor unit		PEAD-RP100EA2	PEAD-RP125EA	PEAD-RP140EA
	Outdoor unit		PUHZ-RP100VHA2 PUHZ-RP100VHA3	PUHZ-RP125VHA2	PUHZ-RP140VHA2
Cooling	Capacity	Btu/h	34,100	42,700	47,800
		kW	10.0(4.9-11.4)	12.5(5.5-14.0)	14.0(5.5-15.3)
	Total input	kW	3.06	3.89	4.65
	EER		3.27	3.21	3.01
	Energy label class		A	A	B
	SHF		0.86	0.82	0.83
Heating	Capacity	Btu/h	38,200	47,800	54,600
		kW	11.2(4.5-14.0)	14.0(5.0-16.0)	16.0(5.0-18.0)
	Total input	kW	3.19	3.88	4.69
	COP		3.51	3.61	3.41
	Energy label class		B	A	B
	Booster heater		kW	-	-
Power supply	Phase	φ	1		
	Cycle	Hz	50		
	Voltage	V	230		
	Breaker size	A	32	40	
Indoor unit	Air flow (Low-High)	CMM	33.5-42		36.5-46
		CFM	1183-1483		1288-1624
	External pressure	Pa	70(130)		
	Sound level (Low-High)	dB(A)	44-50 (130Pa : 46-52)		46-51 (130Pa : 47-53)
	External finish		Galvanized sheets		
	Dimension	W : mm	1415		1715
		D : mm	740		
		H : mm	325		
		W : inch	55-11/16		67-1/2
		D : inch	29-1/8		
		H : inch	12-13/16		
	Weight	kg	65		70
		lbs	143		154
	Unit drain pipe		R1(External thread)		
Outdoor unit	Air flow	CMM	100		
		CFM	3,530		
	Sound level at cooling	dB(A)	49	50	
	Sound level at heating	dB(A)	51	52	
	External finish		Ivory Munsell 3Y 7.8/1.1		
	Dimension	W : mm	950		
		D : mm	330+30		
		H : mm	1350		
		W : inch	37-3/8		
		D : inch	13 + 1-3/16		
		H : inch	53-1/8		
Weight	kg	121(VHA2)/116(VHA3)	116		
	lbs	267(VHA2)/256(VHA3)	256		
Refrigerant pipe size	Gas side O.D.	mm	15.88		
		inch	5/8		
	Liquid side O.D.	mm	9.52		
		inch	3/8		
Refrigerant pipe length	Height difference	m	Max. 30		
	Length	m	Max. 75		

NOTE: 1. Rating conditions (ISO T1)
Cooling Indoor : D.B. 27°C (80°F) W.B. 19°C (66°F) Outdoor : D.B. 35°C (95°F) W.B. 24°C (75°F)
Heating Indoor : D.B. 20°C (68°F) Outdoor : D.B. 7°C (45°F) W.B. 6°C (43°F)
Refrigerant piping length (one way) : 5m (16ft.)

2. Guaranteed operating range

		Indoor	Outdoor
Cooling	Upper limit	D.B. 35°C, W.B. 22.5°C	D.B. 46°C
	Lower limit	D.B. 19°C, W.B. 15°C	D.B. -5°C *
Heating	Upper limit	D.B. 28°C	D.B. 21°C, W.B. 15°C
	Lower limit	D.B. 17°C	D.B. -20°C, W.B. -20°C

3. Guaranteed voltage
198~264V, 50Hz

4. Above data are based on the indicated voltage.
Indoor unit Single phase 230V 50Hz
Outdoor unit Single phase 230V 50Hz

* If optional air protect guide installed. D.B. -15°C



Model name	Indoor unit		PEAD-RP100EA2	PEAD-RP125EA	PEAD-RP140EA	
	Outdoor unit		PUHZ-RP100YHA2 PUHZ-RP100YHA3	PUHZ-RP125YHA2	PUHZ-RP140YHA2	
Cooling	Capacity	Btu/h	34,100	42,700	47,800	
		kW	10.0(4.9-11.4)	12.5(5.5-14.0)	14.0(5.5-15.3)	
	Total input	kW	3.06	3.89	4.65	
	EER		3.27	3.21	3.01	
	Energy label class		A	A	B	
	SHF		0.86	0.82	0.83	
Heating	Capacity	Btu/h	38,200	47,800	54,600	
		kW	11.2(4.5-14.0)	14.0(5.0-16.0)	16.0(5.0-18.0)	
	Total input	kW	3.19	3.88	4.69	
	COP		3.51	3.61	3.41	
	Energy label class		B	A	B	
	Booster heater		kW	-	-	-
Power supply	Phase	φ	3			
	Cycle	Hz	50			
	Voltage	V	400			
	Breaker size	A	16			
Indoor unit	Air flow (Low-High)	CMM	33.5-42		36.5-46	
		CFM	1183-1483		1288-1624	
	External pressure	Pa	70(130)			
	Sound level (Low-High)	dB(A)	44-50		46-51	
			(130Pa : 46-52)		(130Pa : 47-53)	
	External finish		Galvanized sheets			
	Dimension	W : mm	1415		1715	
			740			
		H : mm		325		
		W : inch	55-11/16		67-1/2	
			29-1/8			
		H : inch		12-13/16		
	Weight	kg	65		70	
lbs		143		154		
Unit drain pipe		R1(External thread)				
Outdoor unit	Air flow	CMM	100			
		CFM	3,530			
	Sound level at cooling	dB(A)	49	50		
	Sound level at heating	dB(A)	51	52		
	External finish		Ivory Munsell 3Y 7.8/1.1			
	Dimension	W : mm	950			
			330+30			
		H : mm		1350		
		W : inch		37-3/8		
		D : inch		13 + 1-3/16		
H : inch		53-1/8				
Weight	kg	135(YHA2)/130(YHA3)	130			
	lbs	298(YHA2)/287(YHA3)	287			
Refrigerant pipe size	Gas side O.D.	mm	15.88			
		inch	5/8			
	Liquid side O.D.	mm	9.52			
		inch	3/8			
Refrigerant pipe length	Height difference	m	Max. 30			
	Length	m	Max. 75			

NOTE: 1. Rating conditions (ISO T1)
Cooling Indoor : D.B. 27°C (80°F) W.B. 19°C (66°F) Outdoor : D.B. 35°C (95°F) W.B. 24°C (75°F)
Heating Indoor : D.B. 20°C (68°F) Outdoor : D.B. 7°C (45°F) W.B. 6°C (43°F)
Refrigerant piping length (one way) : 5m (16ft.)

2. Guaranteed operating range

		Indoor	Outdoor
Cooling	Upper limit	D.B. 35°C, W.B. 22.5°C	D.B. 46°C
	Lower limit	D.B. 19°C, W.B. 15°C	D.B. -5°C *
Heating	Upper limit	D.B. 28°C	D.B. 21°C, W.B. 15°C
	Lower limit	D.B. 17°C	D.B. -20°C, W.B. -20°C

3. Guaranteed voltage

Indoor unit 198~264V, 50Hz
Outdoor unit 342~457V, 50Hz

4. Above data are based on the indicated voltage.

Indoor unit Single phase 230V 50Hz
Outdoor unit 3 phase 400V 50Hz

* If optional air protect guide installed. D.B. -15°C



Model name	Indoor unit		PEAD-RP60GA	PEAD-RP71GA	PEAD-RP100GA
	Outdoor unit		PUHZ-RP60VHA2 PUHZ-RP60VHA3	PUHZ-RP71VHA2 PUHZ-RP71VHA3	PUHZ-RP100VHA2 PUHZ-RP100VHA3
Cooling	Capacity	Btu/h	20,500	24,200	34,100
		kW	6.0(2.7-6.7)	7.1(3.3-8.1)	10.0(4.9-11.4)
	Total input	kW	1.68	2.15	3.08
	EER		3.57	3.30	3.25
	Energy label class		A	A	A
	SHF		0.88	0.83	0.86
Heating	Capacity	Btu/h	23,900	27,300	38,200
		kW	7.0(2.8-8.2)	8.0(3.5-10.2)	11.0(4.5-14.0)
	Total input	kW	1.77	2.34	3.23
	COP		3.95	3.42	3.41
	Energy label class		A	B	B
	Booster heater	kW	-	-	-
Power supply	Phase	φ	1		
	Cycle	Hz	50		
	Voltage	V	230		
	Breaker size	A	25	32	
Indoor unit	Air flow	CMM	16.5-21	20-25	26.5-33
	(Low-High)	CFM	582-741	706-883	935-1165
	External pressure	Pa	10/50/70		
	Sound level	dB(A)	33-37/35-40/36-42	35-38/37-41/37-43	40-43/42-45/42-46
	(Low-High)		(10/50/70Pa)	(10/50/70Pa)	(10/50/70Pa)
	External finish		Galvanized sheets		
	Dimension	W : mm	1171		
		D : mm	740		
		H : mm	275		
		W : inch	46-1/8	55-9/16	
		D : inch	29-1/8		
		H : inch	10-13/16		
	Weight	kg	42	50	
lbs		93	111		
Unit drain pipe		R1(External thread)			
Outdoor unit	Air flow	CMM	55	100	
		CFM	1,940	3,530	
	Sound level at cooling	dB(A)	47	49	
	Sound level at heating	dB(A)	48	51	
	External finish		Ivory Munsell 3Y 7.8/1.1		
	Dimension	W : mm	950		
		D : mm	330+30		
		H : mm	943	1350	
		W : inch	37-3/8		
		D : inch	13 + 1-3/16		
		H : inch	37-1/8	53-1/8	
Weight	kg	75(VHA2)/68(VHA3)	121(VHA2)/116(VHA3)		
	lbs	165(VHA2)/150(VHA3)	267(VHA2)/256(VHA3)		
Refrigerant pipe size	Gas side O.D.	mm	15.88		
		inch	5/8		
	Liquid side O.D.	mm	9.52		
		inch	3/8		
Refrigerant pipe length	Height difference	m	Max. 30	Max. 30	
	Length	m	Max. 50	Max. 75	

- NOTE:**
- Rating conditions (ISO T1)
 Cooling Indoor : D.B. 27°C (80°F) W.B. 19°C (66°F) Outdoor : D.B. 35°C (95°F) W.B. 24°C (75°F)
 Heating Indoor : D.B. 20°C (68°F) Outdoor : D.B. 7°C (45°F) W.B. 6°C (43°F)
 Refrigerant piping length (one way) : 5m (16ft.)

		Indoor	Outdoor
Cooling	Upper limit	D.B. 35°C, W.B. 22.5°C	D.B. 46°C
	Lower limit	D.B. 19°C, W.B. 15°C	D.B. -5°C ※1
Heating	Upper limit	D.B. 28°C	D.B. 21°C, W.B. 15°C
	Lower limit	D.B. 17°C	D.B. -11°C, W.B. -12°C ※2

- Guaranteed voltage
198~264V, 50Hz
- Above data are based on the indicated voltage.
 Indoor unit Single phase 230V 50Hz
 Outdoor unit Single phase 230V 50Hz
 ※1. If optional air protect guide installed. D.B. -15°C
 ※2. For RP100 D.B. -20°C, W.B. -20°C



Model name	Indoor unit		PEAD-RP100GA
	Outdoor unit		PUHZ-RP100YHA2 PUHZ-RP100YHA3
Cooling	Capacity	Btu/h	34,100
		kW	10.0(4.9-11.4)
	Total input	kW	3.08
	EER		3.25
	Energy label class		A
	SHF		0.86
Heating	Capacity	Btu/h	38,200
		kW	11.0(4.5-14.0)
	Total input	kW	3.23
	COP		3.41
	Energy label class		B
	Booster heater		kW
Power supply	Phase	φ	3
	Cycle	Hz	50
	Voltage	V	400
	Breaker size	A	16
Indoor unit	Air flow	CMM	26.5-33
	(Low-High)	CFM	935-1165
	External pressure	Pa	10/50/70
	Sound level (Low-High)	dB(A)	40-43/42-45/42-46 (10/50/70Pa)
	External finish		Galvanized sheets
	Dimension	W : mm	1411
		D : mm	740
		H : mm	275
		W : inch	55-9/16
		D : inch	29-1/8
		H : inch	10-13/16
Weight	kg	50	
	lbs	111	
Unit drain pipe		R1(External thread)	
Outdoor unit	Air flow	CMM	100
		CFM	3,530
	Sound level at cooling	dB(A)	49
	Sound level at heating	dB(A)	51
	External finish		Ivory Munsell 3Y 7.8/1.1
	Dimension	W : mm	943
		D : mm	330+30
		H : mm	1350
		W : inch	37-3/8
		D : inch	13 + 1-3/16
		H : inch	53-1/8
Weight	kg	135(YHA2)/130(YHA3)	
	lbs	298(YHA2)/287(YHA3)	
Refrigerant pipe size	Gas side O.D.	mm	15.88
		inch	5/8
	Liquid side O.D.	mm	9.52
		inch	3/8
Refrigerant pipe length	Height difference	m	Max. 30
	Length	m	Max. 75

NOTE: 1. Rating conditions (ISO T1)

Cooling Indoor : D.B. 27°C (80°F) W.B. 19°C (66°F) Outdoor : D.B. 35°C (95°F) W.B. 24°C (75°F)

Heating Indoor : D.B. 20°C (68°F) Outdoor : D.B. 7°C (45°F) W.B. 6°C (43°F)

Refrigerant piping length (one way) : 5m (16ft.)

2. Guaranteed operating range

		Indoor	Outdoor
Cooling	Upper limit	D.B. 35°C, W.B. 22.5°C	D.B. 46°C
	Lower limit	D.B. 19°C, W.B. 15°C	D.B. -5°C *
Heating	Upper limit	D.B. 28°C	D.B. 21°C, W.B. 15°C
	Lower limit	D.B. 17°C	D.B. -20°C, W.B. -20°C

3. Guaranteed voltage

Indoor unit 198~264V, 50Hz

Outdoor unit 342~457V, 50Hz

4. Above data are based on the indicated voltage.

Indoor unit Single phase 230V 50Hz

Outdoor unit 3 phase 400V 50Hz

* If optional air protect guide installed. D.B.-15°C



Model name	Indoor unit		PEA-RP200GA	PEA-RP250GA
	Outdoor unit		PUHZ-RP200YHA2	PUHZ-RP250YHA2
Cooling	Capacity	Btu/h	65,000	75,000
		kW	19.0(9.0-22.4)	22.0(11.2-28.0)
	Total input	kW	6.70	8.34
	EER		2.84	2.64
	Energy label class		C	D
	SHF		0.81	0.86
Heating	Capacity	Btu/h	76,000	92,000
		kW	22.4(9.5-25.0)	27.0(12.5-31.5)
	Total input	kW	6.50	8.20
	COP		3.45	3.29
	Energy label class		B	C
	Booster heater		kW	-
Power supply	Phase	φ	3	
	Cycle	Hz	50	
	Voltage	V	400	
	Breaker size	A	Indoor 15 / Outdoor 32	
Indoor unit	Air flow (Low-High)	CMM	52-65	64-80
		CFM	1835-2295	2260-2825
	External pressure	Pa	150	
	Sound level (Low-High)	dB(A)	48-51	49-52
	External finish		Galvanized steel	
	Dimension	W : mm	1400	1600
		D : mm	634	
		H : mm	400	
		W : inch	55-1/8	63
		D : inch	25	
		H : inch	15-3/4	
	Weight	kg	70	77
		lbs	155	170
Unit drain pipe		R1		
Outdoor unit	Air flow	CMM	130	
		CFM	4590	
	Sound level at cooling	dB(A)	58	
	Sound level at heating	dB(A)	59	
	External finish		Ivory Munsell 3Y 7.8/1.1	
	Dimension	W : mm	950	
		D : mm	330+30	
		H : mm	1350	
		W : inch	37-3/8	
		D : inch	13 + 1-3/16	
		H : inch	53-1/8	
Weight	kg	135	136	
	lbs	298	300	
Refrigerant pipe size	Gas side O.D.	mm	25.4	
		inch	1	
	Liquid side O.D.	mm	9.52	12.7
		inch	3/8	1/2
Refrigerant pipe length	Height difference	m	Max. 30	
	Length	m	Max. 120	

NOTE: 1. Rating conditions (ISO T1)

Cooling Indoor : D.B. 27°C (80°F) W.B. 19°C (66°F) Outdoor : D.B. 35°C (95°F) W.B. 24°C (75°F)
 Heating Indoor : D.B. 20°C (68°F) Outdoor : D.B. 7°C (45°F) W.B. 6°C (43°F)
 Refrigerant piping length (one way) : 5m (16ft.)

2. Guaranteed operating range

		Indoor	Outdoor
Cooling	Upper limit	D.B. 35°C, W.B. 22.5°C	D.B. 46°C
	Lower limit	D.B. 19°C, W.B. 15°C	D.B. -5°C ※1
Heating	Upper limit	D.B. 28°C	D.B. 21°C, W.B. 15°C
	Lower limit	D.B. 17°C	D.B. -20°C, W.B. -20°C

3. Guaranteed voltage
342~457V, 50Hz

4. Above data are based on the indicated voltage.
 Indoor unit 3 phase 400V 50Hz
 Outdoor unit 3 phase 400V 50Hz

※1. If optional air protect guide is installed : D.B. -15°C

2-3. WALL MOUNTED TYPE

Model name	Indoor unit		PKA-RP35GAL	PKA-RP50GAL
	Outdoor unit		PUHZ-RP35VHA2 PUHZ-RP35VHA3	PUHZ-RP50VHA2 PUHZ-RP50VHA3
Cooling	Capacity	Btu/h	12,300	15,700
		kW	3.6(1.6-4.5)	4.6(2.3-5.4)
	Total input	kW	1.03	1.63
	EER		3.50	2.82
	Energy label class		A	C
	SHF		0.84	0.74
Heating	Capacity	Btu/h	14,000	15,400
		kW	4.1(1.6-5.2)	4.5(2.5-6.2)
	Total input	kW	1.27	1.40
	COP		3.23	3.21
	Energy label class		C	C
	Booster heater		kW	-
Power supply	Phase	φ	1	
	Cycle	Hz	50	
	Voltage	V	230	
	Breaker size	A	16	
Indoor unit	Air flow (Low-Medium2-Medium1-High)	CMM	9-10-11-12	
		CFM	320-355-390-425	
	External pressure	Pa	0	
	Sound level (Low-Medium2-Medium1-High)	dB(A)	36-38-41-43	
			External finish White Munsell 0.70Y 8.59/0.97	
	Dimension	W : mm	990	
		D : mm	235	
		H : mm	340	
		W : inch	39	
		D : inch	9-1/4	
		H : inch	13-3/8	
	Weight	kg	16	
lbs		35		
Field drain pipe I.D.	mm	20		
	inch	13/16		
Outdoor unit	Air flow	CMM	35	
		CFM	1,240	
	Sound level at cooling	dB(A)	44	
	Sound level at heating	dB(A)	46	
	External finish		Ivory Munsell 3Y 7.8/1.1	
	Dimension	W : mm	800	
		D : mm	300+23	
		H : mm	600	
		W : inch	31-1/2	
		D : inch	11-13/16 + 7/8	
		H : inch	23-5/8	
	Weight	kg	45(VHA2)/42(VHA3)	
lbs		99(VHA2)/92(VHA3)		
Refrigerant pipe size	Gas side O.D.	mm	12.7	
		inch	1/2	
	Liquid side O.D.	mm	6.35	
		inch	1/4	
Refrigerant pipe length	Height difference	m	Max. 30	
	Length	m	Max. 50	

NOTE: 1. Rating conditions (ISO T1)
Cooling Indoor : D.B. 27°C (80°F) W.B. 19°C (66°F) Outdoor : D.B. 35°C (95°F) W.B. 24°C (75°F)
Heating Indoor : D.B. 20°C (68°F) Outdoor : D.B. 7°C (45°F) W.B. 6°C (43°F)
Refrigerant piping length (one way) : 5m (16ft.)

2. Guaranteed operating range

		Indoor	Outdoor
Cooling	Upper limit	D.B. 35°C, W.B. 22.5°C	D.B. 46°C
	Lower limit	D.B. 19°C, W.B. 15°C	D.B. -5°C *
Heating	Upper limit	D.B. 28°C	D.B. 21°C, W.B. 15°C
	Lower limit	D.B. 17°C	D.B. -11°C, W.B. -12°C

3. Guaranteed voltage

198~264V, 50Hz

4. Above data are based on the indicated voltage.

Indoor unit Single phase 230V 50Hz

Outdoor unit Single phase 230V 50Hz

* If optional air protect guide installed. D.B. -15°C



Model name	Indoor unit		PKA-RP50FAL2	PKA-RP60FAL	PKA-RP71FAL	PKA-RP100FAL
	Outdoor unit		PUHZ-RP50VHA2 PUHZ-RP50VHA3	PUHZ-RP60VHA2 PUHZ-RP60VHA3	PUHZ-RP71VHA2 PUHZ-RP71VHA3	PUHZ-RP100VHA2 PUHZ-RP100VHA3
Cooling	Capacity	Btu/h	17,000	20,500	24,200	34,100
		kW	5.0(2.3-5.6)	6.0(2.7-6.7)	7.1(3.3-8.1)	10.0(4.9-11.4)
	Total input	kW	1.66	1.55	1.98	2.93
	EER		3.01	3.87	3.59	3.41
	Energy label class		B	A	A	A
	SHF		0.86	0.83	0.77	0.77
Heating	Capacity	Btu/h	20,500	23,900	27,300	38,200
		kW	6.0(2.5-7.3)	7.0(2.8-8.2)	7.6(3.5-10.2)	11.2(4.5-14.0)
	Total input	kW	1.76	2.01	2.23	3.25
	COP		3.41	3.48	3.41	3.45
	Energy label class		B	B	B	B
	Booster heater	kW	-	-	-	-
Power supply	Phase	φ	1			
	Cycle	Hz	50			
	Voltage	V	230			
	Breaker size	A	16	25	32	
Indoor unit	Air flow (Low-High)	CMM	15-20	15-20	22-28	
		CFM	530-705	530-705	780-990	
	External pressure	Pa	0			
	Sound level (Low-High)	dB(A)	39-45	39-45	41-46	
	External finish		Munsell 3.4Y 7.7/0.8			
	Dimension	W : mm	1400	1400	1680	
		D : mm		235		
		H : mm		340		
		W : inch	55-1/8	55-1/8	66-1/8	
		D : inch		9-1/4		
		H : inch		13-3/8		
	Weight	kg	24	24	28	
		lbs	53	53	62	
	Field drain pipe I.D.	mm	20			
inch		13/16				
Outdoor unit	Air flow	CMM	35	55	100	
		CFM	1,240	1,940	3,530	
	Sound level at cooling	dB(A)	44	47	49	
	Sound level at heating	dB(A)	46	48	51	
	External finish		Ivory Munsell 3Y 7.8/1.1			
	Dimension	W : mm	800	950	950	
		D : mm	300+23	330+30	330+30	
		H : mm	600	943	1350	
		W : inch	31-1/2	37-3/8	37-3/8	
		D : inch	11 - 13/16	13 + 1-3/16	13 + 1-3/16	
H : inch		23-5/8	37-1/8	53-1/8		
Weight	kg	45(VHA2)/42(VHA3)	75(VHA2)/68(VHA3)	121(VHA2)/116(VHA3)		
	lbs	99(VHA2)/92(VHA3)	165(VHA2)/150(VHA3)	267(VHA2)/256(VHA3)		
Refrigerant pipe size	Gas side O.D.	mm	12.7	15.88	15.88	
		inch	1/2	5/8	5/8	
	Liquid side O.D.	mm	6.35	9.52	9.52	
		inch	1/4	3/8	3/8	
Refrigerant pipe length	Height difference	m	Max. 30	Max. 30	Max. 30	
	Length	m	Max. 50	Max. 50	Max. 75	

NOTE: 1. Rating conditions (ISO T1)
Cooling Indoor : D.B. 27°C (80°F) W.B. 19°C (66°F) Outdoor : D.B. 35°C (95°F) W.B. 24°C (75°F)
Heating Indoor : D.B. 20°C (68°F) Outdoor : D.B. 7°C (45°F) W.B. 6°C (43°F)
Refrigerant piping length (one way) : 5m (16ft.)

2. Guaranteed operating range

		Indoor	Outdoor
Cooling	Upper limit	D.B. 35°C, W.B. 22.5°C	D.B. 46°C
	Lower limit	D.B. 19°C, W.B. 15°C	D.B. -5°C *1
Heating	Upper limit	D.B. 28°C	D.B. 21°C, W.B. 15°C
	Lower limit	D.B. 17°C	D.B. -11°C, W.B. -12°C *2

3. Guaranteed voltage
198~264V, 50Hz

4. Above data are based on the indicated voltage.

Indoor unit Single phase 230V 50Hz

Outdoor unit Single phase 230V 50Hz

*1. If optional air protect guide installed. D.B.-15°C

*2. For RP100 D.B. -20°C, W.B. -20°C

Model name	Indoor unit		PKA-RP100FAL	
	Outdoor unit		PUHZ-RP100YHA2 PUHZ-RP100YHA3	
Cooling	Capacity	Btu/h	34,100	
		kW	10.0(4.9-11.4)	
	Total input	kW	2.93	
	EER		3.41	
	Energy label class		A	
	SHF		0.77	
Heating	Capacity	Btu/h	38,200	
		kW	11.2(4.5-14.0)	
	Total input	kW	3.25	
	COP		3.45	
	Energy label class		B	
	Booster heater	kW	-	
Power supply	Phase	φ	3	
	Cycle	Hz	50	
	Voltage	V	400	
	Breaker size	A	16	
Indoor unit	Air flow	CMM	22-28	
	(Low-High)	CFM	780-990	
	External pressure	Pa	0	
	Sound level (Low-High)	dB(A)	41-46	
	External finish		Munsell 3.4Y 7.7/0.8	
	Dimension	W : mm		1680
		D : mm		235
		H : mm		340
		W : inch		66-1/8
		D : inch		9-1/4
		H : inch		13-3/8
	Weight	kg		28
		lbs		62
Field drain pipe I.D.	mm		20	
	inch		13/16	
Outdoor unit	Air flow	CMM	100	
		CFM	3,530	
	Sound level at cooling	dB(A)	49	
	Sound level at heating	dB(A)	51	
	External finish		Ivory Munsell 3Y 7.8/1.1	
	Dimension	W : mm		950
		D : mm		330+30
		H : mm		1350
		W : inch		37-3/8
		D : inch		13 + 1-3/16
		H : inch		53-1/8
Weight	kg		135(YHA2)/130(YHA3)	
	lbs		298(YHA2)/287(YHA3)	
Refrigerant pipe size	Gas side O.D.	mm	15.88	
		inch	5/8	
	Liquid side O.D.	mm	9.52	
		inch	3/8	
Refrigerant pipe length	Height difference	m	Max. 30	
	Length	m	Max. 75	

NOTE: 1. Rating conditions (ISO T1)

Cooling Indoor : D.B. 27°C (80°F) W.B. 19°C (66°F) Outdoor : D.B. 35°C (95°F) W.B. 24°C (75°F)

Heating Indoor : D.B. 20°C (68°F) Outdoor : D.B. 7°C (45°F) W.B. 6°C (43°F)

Refrigerant piping length (one way) : 5m (16ft.)

2. Guaranteed operating range

		Indoor	Outdoor
Cooling	Upper limit	D.B. 35°C, W.B. 22.5°C	D.B. 46°C
	Lower limit	D.B. 19°C, W.B. 15°C	D.B. -5°C *
Heating	Upper limit	D.B. 28°C	D.B. 21°C, W.B. 15°C
	Lower limit	D.B. 17°C	D.B. -20°C, W.B. -20°C

3. Guaranteed voltage

Indoor unit 198~264V, 50Hz

Outdoor unit 342~457V, 50Hz

4. Above data are based on the indicated voltage.

Indoor unit Single phase 230V 50Hz

Outdoor unit 3 phase 400V 50Hz

* If optional air protect guide installed. D.B.-15°C

2-4. CEILING SUSPENDED TYPE

Model name	Indoor unit		PCA-RP50GA	PCA-RP50GA2	PCA-RP60GA	PCA-RP71GA
	Outdoor unit		PUHZ-RP50VHA2 PUHZ-RP50VHA3	PUHZ-RP50VHA2 PUHZ-RP50VHA3	PUHZ-RP60VHA2 PUHZ-RP60VHA3	PUHZ-RP71VHA2 PUHZ-RP71VHA3
Cooling	Capacity	Btu/h	16,000	17,000	20,500	24,200
		kW	4.7(2.3-5.4)	5.0(2.3-5.6)	6.0(2.7-6.7)	7.1(3.3-8.1)
	Total input	kW	1.67	1.66	1.63	2.14
	EER		2.81	3.01	3.68	3.32
	Energy label class		C	B	A	A
	SHF		0.76	0.88	0.86	0.74
Heating	Capacity	Btu/h	18,800	20,500	23,900	27,300
		kW	5.5(2.5-6.6)	6.0(2.5-7.3)	7.0(2.8-8.2)	7.6(3.5-10.2)
	Total input	kW	1.71	1.76	2.03	2.23
	COP		3.22	3.41	3.45	3.41
	Energy label class		C	B	B	B
	Booster heater		kW	-	-	-
Power supply	Phase	φ	1			
	Cycle	Hz	50			
	Voltage	V	230			
	Breaker size	A	16		25	
Indoor unit	Air flow (Low-Medium2-Medium1-High)	CMM	10-11-12-13	14-15-16-18	14-15-16-18	
		CFM	355-390-425-460	495-530-565-635	495-530-565-635	
	External pressure	Pa	0			
	Sound level (Low-Medium2-Medium1-High)	dB(A)	37-38-40-42	37-39-41-43	37-39-41-43	
	External finish		White Munsell 0.70Y 8.59/0.97			
	Dimension	W : mm	1000	1310	1310	
			D : mm	680		
		H : mm	210			
		W : inch	39-3/8	51-9/16	51-9/16	
			D : inch	26-3/4		
		H : inch	8-1/4			
	Weight	kg	27	34	34	
		lbs	60	75	75	
	Field drain pipe O.D.	mm	26			
		inch	1			
Outdoor unit	Air flow	CMM	35		55	
		CFM	1,240		1,940	
	Sound level at cooling	dB(A)	44		47	
	Sound level at heating	dB(A)	46		48	
	External finish		Ivory Munsell 3Y 7.8/1.1			
	Dimension	W : mm	800	950		
			D : mm	330+23	330+30	
		H : mm	600			
		W : inch	31-1/2	37-3/8		
			D : inch	13 + 7/8	13 + 1-3/16	
		H : inch	23-5/8		37-1/8	
Weight	kg	45(VHA2)/42(VHA3)		75(VHA2)/68(VHA3)		
	lbs	99(VHA2)/92(VHA3)		165(VHA2)/150(VHA3)		
Refrigerant pipe size	Gas side O.D.	mm	12.7		15.88	
		inch	1/2		5/8	
	Liquid side O.D.	mm	6.35		9.52	
		inch	1/4		3/8	
Refrigerant pipe length	Height difference	m	Max. 30		Max. 30	
	Length	m	Max. 50		Max. 50	

- NOTE:**
- Rating conditions (ISO T1)
Cooling Indoor : D.B. 27°C (80°F) W.B. 19°C (66°F) Outdoor : D.B. 35°C (95°F) W.B. 24°C (75°F)
Heating Indoor : D.B. 20°C (68°F) Outdoor : D.B. 7°C (45°F) W.B. 6°C (43°F)
Refrigerant piping length (one way) : 5m (16ft.)

- Guaranteed operating range

		Indoor	Outdoor
Cooling	Upper limit	D.B. 35°C, W.B. 22.5°C	D.B. 46°C
	Lower limit	D.B. 19°C, W.B. 15°C	D.B. -5°C
Heating	Upper limit	D.B. 28°C	D.B. 21°C, W.B. 15°C
	Lower limit	D.B. 17°C	D.B. -11°C, W.B. -12°C

- Guaranteed voltage
198~264V, 50Hz
- Above data are based on the indicated voltage.
Indoor unit Single phase 230V 50Hz
Outdoor unit Single phase 230V 50Hz
- * If optional air protect guide installed. D.B. -15°C



Model name	Indoor unit		PCA-RP100GA	PCA-RP125GA	PCA-RP140GA
	Outdoor unit		PUHZ-RP100VHA2 PUHZ-RP100VHA3	PUHZ-RP125VHA2	PUHZ-RP140VHA2
Cooling	Capacity	Btu/h	34,100	42,700	47,800
		kW	10.0(4.9-11.4)	12.5(5.5-14.0)	14.0(5.5-15.3)
	Total input	kW	2.92	3.88	4.65
	EER		3.42	3.22	3.01
	Energy label class		A	A	B
	SHF		0.75	0.77	0.75
Heating	Capacity	Btu/h	38,200	47,800	54,600
		kW	11.2(4.5-14.0)	14.0(5.0-16.0)	16.0(5.0-18.0)
	Total input	kW	3.26	4.11	4.60
	COP		3.44	3.41	3.48
	Energy label class		B	B	B
	Booster heater		kW	-	-
Power supply	Phase	ϕ	1		
	Cycle	Hz	50		
	Voltage	V	230		
	Breaker size	A	32		40
Indoor unit	Air flow (Low-Medium2-Medium1-High)	CMM	20-21-23-25	27-30-32-34	
		CFM	705-810-840-885	955-1060-1130-1200	
	External pressure	Pa	0		
	Sound level (Low-Medium2-Medium1-High)	dB(A)	40-41-43-45	41-43-45-46	42-44-46-48
	External finish		White Munsell 0.70Y 8.59/0.97		
	Dimension	W : mm	1310	1620	
		D : mm	680		
		H : mm	270		
		W : inch	51-9/16	63-3/4	
		D : inch	26-3/4		
		H : inch	10-5/8		
	Weight	kg	37	43	45
		lbs	82	95	99
Field drain pipe O.D.	mm	26			
	inch	1			
Outdoor unit	Air flow	CMM	100		
		CFM	3,530		
	Sound level at cooling	dB(A)	49	50	
	Sound level at heating	dB(A)	51	52	
	External finish		Ivory Munsell 3Y 7.8/1.1		
	Dimension	W : mm	950		
		D : mm	330+30		
		H : mm	1350		
		W : inch	37-3/8		
		D : inch	13 + 1-3/16		
H : inch		53-1/8			
Weight	kg	121(VHA2)/116(VHA3)	116		
	lbs	267(VHA2)/256(VHA3)	256		
Refrigerant pipe size	Gas side O.D.	mm	15.88		
		inch	5/8		
	Liquid side O.D.	mm	9.52		
		inch	3/8		
Refrigerant pipe length	Height difference	m	Max. 30		
	Length	m	Max. 75		

NOTE: 1. Rating conditions (ISO T1)
Cooling Indoor : D.B. 27°C (80°F) W.B. 19°C (66°F) Outdoor : D.B. 35°C (95°F) W.B. 24°C (75°F)
Heating Indoor : D.B. 20°C (68°F) Outdoor : D.B. 7°C (45°F) W.B. 6°C (43°F)
Refrigerant piping length (one way) : 5m (16ft.)

2. Guaranteed operating range

		Indoor	Outdoor
Cooling	Upper limit	D.B. 35°C, W.B. 22.5°C	D.B. 46°C
	Lower limit	D.B. 19°C, W.B. 15°C	D.B. -5°C *
Heating	Upper limit	D.B. 28°C	D.B. 21°C, W.B. 15°C
	Lower limit	D.B. 17°C	D.B. -20°C, W.B. -20°C

3. Guaranteed voltage
198~264V, 50Hz

4. Above data are based on the indicated voltage.
Indoor unit Single phase 230V 50Hz
Outdoor unit Single phase 230V 50Hz

* If optional air protect guide installed. D.B. -15°C



Model name	Indoor unit		PCA-RP100GA	PCA-RP125GA	PCA-RP140GA
	Outdoor unit		PUHZ-RP100YHA2 PUHZ-RP100YHA3	PUHZ-RP125YHA2	PUHZ-RP140YHA2
Cooling	Capacity	Btu/h	34,100	42,700	47,800
		kW	10.0(4.9-11.4)	12.5(5.5-14.0)	14.0(5.5-15.3)
	Total input	kW	2.92	3.88	4.65
	EER		3.42	3.22	3.01
	Energy label class		A	A	B
	SHF		0.75	0.77	0.75
Heating	Capacity	Btu/h	38,200	47,800	54,600
		kW	11.2(4.5-14.0)	14.0(5.0-16.0)	16.0(5.0-18.0)
	Total input	kW	3.26	4.11	4.60
	COP		3.44	3.41	3.48
	Energy label class		B	B	B
	Booster heater	kW	-	-	-
Power supply	Phase	φ	3		
	Cycle	Hz	50		
	Voltage	V	400		
	Breaker size	A	16		
Indoor unit	Air flow (Low-Medium2-Medium1-High)	CMM	20-21-23-25	27-30-32-34	
		CFM	705-810-840-885	955-1060-1130-1200	
	External pressure	Pa	0	0	
	Sound level (Low-Medium2-Medium1-High)	dB(A)	40-41-43-45	41-43-45-46	42-44-46-48
	External finish		White Munsell 0.70Y 8.59/0.97		
	Dimension	W : mm	1310	1620	
		D : mm		680	
		H : mm		270	
		W : inch	51-9/16	63-3/4	
		D : inch		26-3/4	
		H : inch		10-5/8	
	Weight	kg	37	43	45
		lbs	82	95	99
Field drain pipe O.D.	mm	26			
	inch	1			
Outdoor unit	Air flow	CMM	100		
		CFM	3,530		
	Sound level at cooling	dB(A)	49	50	
	Sound level at heating	dB(A)	51	52	
	External finish		Ivory Munsell 3Y 7.8/1.1		
	Dimension	W : mm	950		
		D : mm	330+30		
		H : mm	1350		
		W : inch	37-3/8		
		D : inch	13 + 1-3/16		
H : inch		53-1/8			
Weight	kg	135(YHA2)/130(YHA3)	130		
	lbs	298(YHA2)/287(YHA3)	287		
Refrigerant pipe size	Gas side O.D.	mm	15.88		
		inch	5/8		
	Liquid side O.D.	mm	9.52		
		inch	3/8		
Refrigerant pipe length	Height difference	m	Max. 30		
	Length	m	Max. 75		

NOTE: 1. Rating conditions (ISO T1)
Cooling Indoor : D.B. 27°C (80°F) W.B. 19°C (66°F) Outdoor : D.B. 35°C (95°F) W.B. 24°C (75°F)
Heating Indoor : D.B. 20°C (68°F) Outdoor : D.B. 7°C (45°F) W.B. 6°C (43°F)
Refrigerant piping length (one way) : 5m (16ft.)

2. Guaranteed operating range

		Indoor	Outdoor
Cooling	Upper limit	D.B. 35°C, W.B. 22.5°C	D.B. 46°C
	Lower limit	D.B. 19°C, W.B. 15°C	D.B. -5°C *
Heating	Upper limit	D.B. 28°C	D.B. 21°C, W.B. 15°C
	Lower limit	D.B. 17°C	D.B. -20°C, W.B. -20°C

3. Guaranteed voltage
Indoor unit 198~264V, 50Hz
Outdoor unit 342~457V, 50Hz
4. Above data are based on the indicated voltage.
Indoor unit Single phase 230V 50Hz
Outdoor unit 3 phase 400V 50Hz
* If optional air protect guide installed. D.B.-15°C



Model name	Indoor unit		PCA-RP71HA	PCA-RP125HA	PCA-RP125HA	
	Outdoor unit		PUHZ-RP71VHA2 PUHZ-RP71VHA3	PUHZ-RP125VHA2	PUHZ-RP125YHA2	
Cooling	Capacity	Btu/h	24,200	42,700	42,700	
		kW	7.1(3.3-8.1)	12.5(5.5-14.0)	12.5(5.5-14.0)	
	Total input	kW	2.21	3.88	3.88	
	EER		3.21	3.22	3.22	
	Energy label class		A	A	A	
	SHF		0.74	0.77	0.77	
Heating	Capacity	Btu/h	27,300	47,800	47,800	
		kW	7.6(3.5-10.2)	13.8(5.0-16.0)	13.8(5.0-16.0)	
	Total input	kW	2.23	4.05	4.05	
	COP		3.41	3.41	3.41	
	Energy label class		B	B	B	
	Booster heater		kW	-	-	-
Power supply	Phase	φ	1		3	
	Cycle	Hz	50		50	
	Voltage	V	230		400	
	Breaker size	A	25		16	
Indoor unit	Air flow (Low-High)	CMM	17-19	30-38		
		CFM	600-670	1060-1350		
	External pressure	Pa	0	0		
	Sound level (Low-High)	dB(A)	34-38	44-50		
	External finish		Stainless steel			
	Dimension	W : mm	1136	1520		
		D : mm	650			
		H : mm	280			
		W : inch	44-3/4	59-7/8		
		D : inch	25-5/8			
		H : inch	11			
	Weight	kg	41	56		
		lbs	90	124		
Field drain pipe O.D.	mm	26				
	inch	1				
Outdoor unit	Air flow	CMM	55	100		
		CFM	1,940	3,530		
	Sound level at cooling	dB(A)	47	50		
	Sound level at heating	dB(A)	48	52		
	External finish		Ivory Munsell 3Y 7.8/1.1			
	Dimension	W : mm	950	950		
		D : mm	330+30	330+30		
		H : mm	943	1350		
		W : inch	37-3/8	37-3/8		
		D : inch	13 + 1-3/16	13 + 1-3/16		
		H : inch	37-1/8	53-1/8		
	Weight	kg	75(VHA2)/68(VHA3)	116	130	
		lbs	165(VHA2)/150(VHA3)	256	287	
Refrigerant pipe size	Gas side O.D.	mm	15.88	15.88		
		inch	5/8	5/8		
	Liquid side O.D.	mm	9.52	9.52		
		inch	3/8	3/8		
Refrigerant pipe length	Height difference	m	Max. 30	Max. 30		
	Length	m	Max. 50	Max. 75		

NOTE: 1. Rating conditions (ISO T1)
Cooling Indoor : D.B. 27°C (80°F) W.B. 19°C (66°F) Outdoor : D.B. 35°C (95°F) W.B. 24°C (75°F)
Heating Indoor : D.B. 20°C (68°F) Outdoor : D.B. 7°C (45°F) W.B. 6°C (43°F)
Refrigerant piping length (one way) : 5m (16ft.)

2. Guaranteed operating range

		Indoor	Outdoor
Cooling	Upper limit	D.B. 35°C, W.B. 22.5°C	D.B. 46°C
	Lower limit	D.B. 19°C, W.B. 15°C	D.B. -5°C ※1
Heating	Upper limit	D.B. 28°C	D.B. 21°C, W.B. 15°C
	Lower limit	D.B. 17°C	D.B. -11°C, W.B. -12°C ※2

3. Guaranteed voltage

198~264V, 50Hz (RP125Y : 342~457V, 50Hz)

4. Above data are based on the indicated voltage.

Indoor unit Single phase 230V 50Hz

Outdoor unit V: Single phase 230V 50Hz, Y: 3 phase 400V 50Hz

※1. If optional air protect guide installed. D.B. -15°C

※2. For RP125 D.B. -20°C. W.B. -20°C

2-5. FLOOR STANDING TYPE

Model name	Indoor unit		PSA-RP71GA
	Outdoor unit		PUHZ-RP71VHA2 PUHZ-RP71VHA3
Cooling	Capacity	Btu/h	24,200
		kW	7.1(3.3-8.1)
	Total input	kW	2.20
	EER		3.23
	Energy label class		A
	SHF		0.73
Heating	Capacity	Btu/h	27,300
		kW	7.6(3.5-10.2)
	Total input	kW	2.23
	COP		3.41
	Energy label class		B
	Booster heater		-
Power supply	Phase	φ	1
	Cycle	Hz	50
	Voltage	V	230
	Breaker size	A	25
Indoor unit	Air flow	CMM	15-18
	(Low-High)	CFM	530-635
	External pressure	Pa	0
	Sound level (Low-High)	dB(A)	40-45
	External finish		White Munsell 0.70Y 8.59/0.97
	Dimension	W : mm	600
		D : mm	270
		H : mm	1900
		W : inch	23-5/8
		D : inch	10-5/8
		H : inch	74-13/16
	Weight	kg	43
		lbs	98
Field drain pipe I.D.	mm	20	
	inch	13/16	
Outdoor unit	Air flow	CMM	55
		CFM	1,940
	Sound level at cooling	dB(A)	47
	Sound level at heating	dB(A)	48
	External finish		Ivory Munsell 3Y 7.8/1.1
	Dimension	W : mm	950
		D : mm	330+30
		H : mm	943
		W : inch	37-3/8
		D : inch	13 + 1-3/16
H : inch		37-1/8	
Weight	kg	75(VHA2)/68(VHA3)	
	lbs	165(VHA2)/150(VHA3)	
Refrigerant pipe size	Gas side O.D.	mm	15.88
		inch	5/8
	Liquid side O.D.	mm	9.52
		inch	3/8
Refrigerant pipe length	Height difference	m	Max. 30
	Length	m	Max. 50

NOTE: 1. Rating conditions (ISO T1)
Cooling Indoor : D.B. 27°C (80°F) W.B. 19°C (66°F) Outdoor : D.B. 35°C (95°F) W.B. 24°C (75°F)
Heating Indoor : D.B. 20°C (68°F) Outdoor : D.B. 7°C (45°F) W.B. 6°C (43°F)
Refrigerant piping length (one way) : 5m (16ft.)

2. Guaranteed operating range

		Indoor	Outdoor
Cooling	Upper limit	D.B. 35°C, W.B. 22.5°C	D.B. 46°C
	Lower limit	D.B. 19°C, W.B. 15°C	D.B. -5°C *
Heating	Upper limit	D.B. 28°C	D.B. 21°C, W.B. 15°C
	Lower limit	D.B. 17°C	D.B. -11°C, W.B. -12°C

3. Guaranteed voltage
198~264V, 50Hz

4. Above data are based on the indicated voltage.
Indoor unit Single phase 230V 50Hz
Outdoor unit Single phase 230V 50Hz

* If optional air protect guide installed. D.B. -15°C



Model name	Indoor unit		PSA-RP100GA	PSA-RP125GA	PSA-RP140GA
	Outdoor unit		PUHZ-RP100VHA2 PUHZ-RP100VHA3	PUHZ-RP125VHA2	PUHZ-RP140VHA2
Cooling	Capacity	Btu/h	34,100	42,700	47,800
		kW	10.0(4.9-11.4)	12.4(5.5-14.0)	13.8(5.5-15.3)
	Total input	kW	2.99	4.12	4.91
	EER		3.34	3.01	2.81
	Energy label class		A	B	C
	SHF		0.81	0.75	0.74
Heating	Capacity	Btu/h	38,200	47,800	54,600
		kW	11.2(4.5-14.0)	14.0(5.0-16.0)	16.0(5.0-18.0)
	Total input	kW	3.28	4.11	4.97
	COP		3.41	3.41	3.22
	Energy label class		B	B	C
	Booster heater		kW	-	-
Power supply	Phase	φ	1		
	Cycle	Hz	50		
	Voltage	V	230		
	Breaker size	A	32		40
Indoor unit	Air flow (Low-High)	CMM	24-31	26-33	27-35
		CFM	850-1060	920-1165	955-1240
	External pressure	Pa	0		
	Sound level (Low-High)	dB(A)	44-49	46-51	47-52
	External finish		White Munsell 0.70Y 8.59/0.97		
	Dimension	W : mm	600		
		D : mm	350		
		H : mm	1900		
		W : inch	23-5/8		
		D : inch	13-3/4		
		H : inch	74-13/16		
	Weight	kg	51	53	
		lbs	112	117	
Field drain pipe I.D.	mm	20			
	inch	13/16			
Outdoor unit	Air flow	CMM	100		
		CFM	3,530		
	Sound level at cooling	dB(A)	49	50	
	Sound level at heating	dB(A)	51	52	
	External finish		Ivory Munsell 3Y 7.8/1.1		
	Dimension	W : mm	950		
		D : mm	330+30		
		H : mm	1350		
		W : inch	37-3/8		
		D : inch	13 + 1-3/16		
H : inch		53-1/8			
Weight	kg	121(VHA2)/116(VHA3)	116		
	lbs	267(VHA2)/256(VHA3)	256		
Refrigerant pipe size	Gas side O.D.	mm	15.88		
		inch	5/8		
	Liquid side O.D.	mm	9.52		
		inch	3/8		
Refrigerant pipe length	Height difference	m	Max. 30		
	Length	m	Max. 75		

NOTE: 1. Rating conditions (ISO T1)
Cooling Indoor : D.B. 27°C (80°F) W.B. 19°C (66°F) Outdoor : D.B. 35°C (95°F) W.B. 24°C (75°F)
Heating Indoor : D.B. 20°C (68°F) Outdoor : D.B. 7°C (45°F) W.B. 6°C (43°F)
Refrigerant piping length (one way) : 5m (16ft.)

2. Guaranteed operating range

		Indoor	Outdoor
Cooling	Upper limit	D.B. 35°C, W.B. 22.5°C	D.B. 46°C
	Lower limit	D.B. 19°C, W.B. 15°C	D.B. -5°C *
Heating	Upper limit	D.B. 28°C	D.B. 21°C, W.B. 15°C
	Lower limit	D.B. 17°C	D.B. -20°C, W.B. -20°C

3. Guaranteed voltage
198~264V, 50Hz

4. Above data are based on the indicated voltage.
Indoor unit Single phase 230V 50Hz
Outdoor unit Single phase 230V 50Hz

* If optional air protect guide installed. D.B. -15°C



Model name	Indoor unit		PSA-RP100GA	PSA-RP125GA	PSA-RP140GA
	Outdoor unit		PUHZ-RP100YHA2 PUHZ-RP100YHA3	PUHZ-RP125YHA2	PUHZ-RP140YHA2
Cooling	Capacity	Btu/h	34,100	42,700	47,800
		kW	10.0(4.9-11.4)	12.4(5.5-14.0)	13.8(5.5-15.3)
	Total input	kW	2.99	4.12	4.91
	EER		3.34	3.01	2.81
	Energy label class		A	B	C
	SHF		0.81	0.75	0.74
Heating	Capacity	Btu/h	38,200	47,800	54,600
		kW	11.2(4.5-14.0)	14.0(5.0-16.0)	16.0(5.0-18.0)
	Total input	kW	3.28	4.11	4.97
	COP		3.41	3.41	3.22
	Energy label class		B	B	C
	Booster heater	kW	-	-	-
Power supply	Phase	ϕ	3		
	Cycle	Hz	50		
	Voltage	V	400		
	Breaker size	A	16		
Indoor unit	Air flow (Low-High)	CMM	24-31	26-33	27-35
		CFM	850-1060	920-1165	955-1240
	External pressure	Pa	0		
	Sound level (Low-High)	dB(A)	44-49	46-51	47-52
	External finish		White Munsell 0.70Y 8.59/0.97		
	Dimension	W : mm	600		
		D : mm	350		
		H : mm	1900		
		W : inch	23-5/8		
		D : inch	13-3/4		
		H : inch	74-13/16		
	Weight	kg	51	51	53
		lbs	112	112	117
	Field drain pipe I.D.	mm	20		
inch		13/16			
Outdoor unit	Air flow	CMM	100		
		CFM	3,530		
	Sound level at cooling	dB(A)	49	50	
	Sound level at heating	dB(A)	51	52	
	External finish		Ivory Munsell 3Y 7.8/1.1		
	Dimension	W : mm	950		
		D : mm	330+30		
		H : mm	1350		
		W : inch	37-3/8		
		D : inch	13 + 1-3/16		
H : inch		53-1/8			
Weight	kg	135(YHA2)/130(YHA3)	130		
	lbs	298(YHA2)/287(YHA3)	287		
Refrigerant pipe size	Gas side O.D.	mm	15.88		
		inch	5/8		
	Liquid side O.D.	mm	9.52		
		inch	3/8		
Refrigerant pipe length	Height difference	m	Max. 30		
	Length	m	Max. 75		

NOTE: 1. Rating conditions (ISO T1)
Cooling Indoor : D.B. 27°C (80°F) W.B. 19°C (66°F) Outdoor : D.B. 35°C (95°F) W.B. 24°C (75°F)
Heating Indoor : D.B. 20°C (68°F) Outdoor : D.B. 7°C (45°F) W.B. 6°C (43°F)
Refrigerant piping length (one way) : 5m (16ft.)

2. Guaranteed operating range

		Indoor	Outdoor
Cooling	Upper limit	D.B. 35°C, W.B. 22.5°C	D.B. 46°C
	Lower limit	D.B. 19°C, W.B. 15°C	D.B. -5°C *
Heating	Upper limit	D.B. 28°C	D.B. 21°C, W.B. 15°C
	Lower limit	D.B. 17°C	D.B. -20°C, W.B. -20°C

3. Guaranteed voltage

Indoor unit 198~264V, 50Hz

Outdoor unit 342~457V, 50Hz

4. Above data are based on the indicated voltage.

Indoor unit Single phase 230V 50Hz

Outdoor unit 3 phase 400V 50Hz

* If optional air protect guide installed. D.B. -15°C

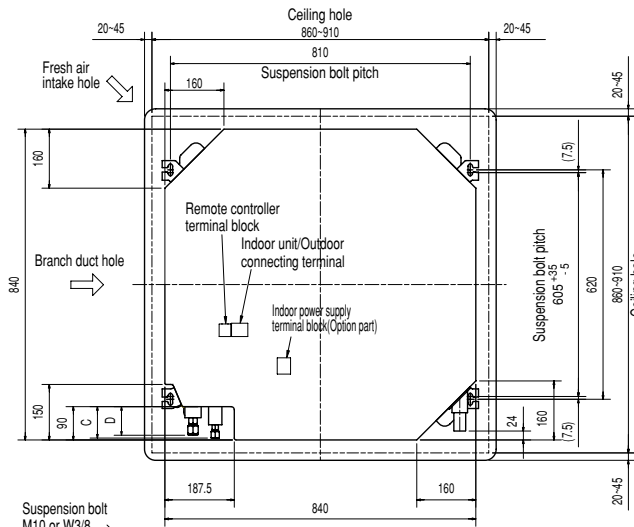
INDOOR UNIT
PLA-RP35BA
PLA-RP100BA
PLA-RP71BA2

PLA-RP50BA
PLA-RP125BA
PLA-RP100BA2

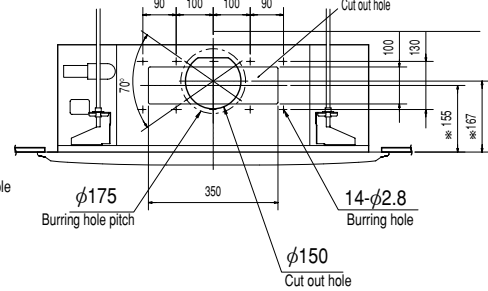
PLA-RP60BA
PLA-RP140BA
PLA-RP125BA2

PLA-RP71BA

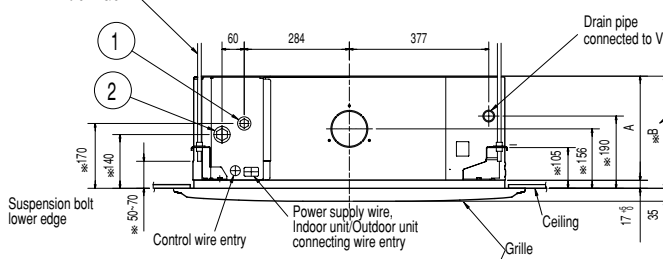
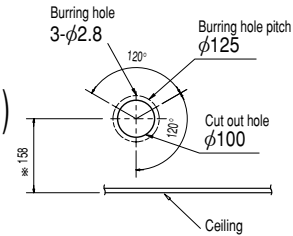
Unit : mm



Detail connecting of branch duct(Both aspects)



Detail drawing of fresh air intake hole

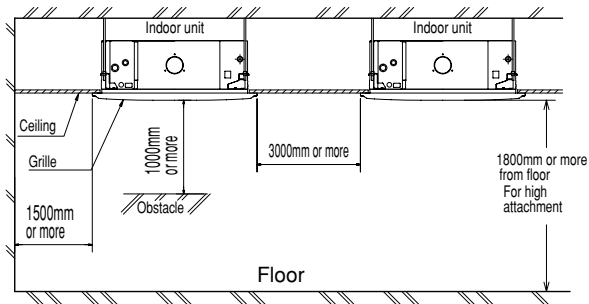
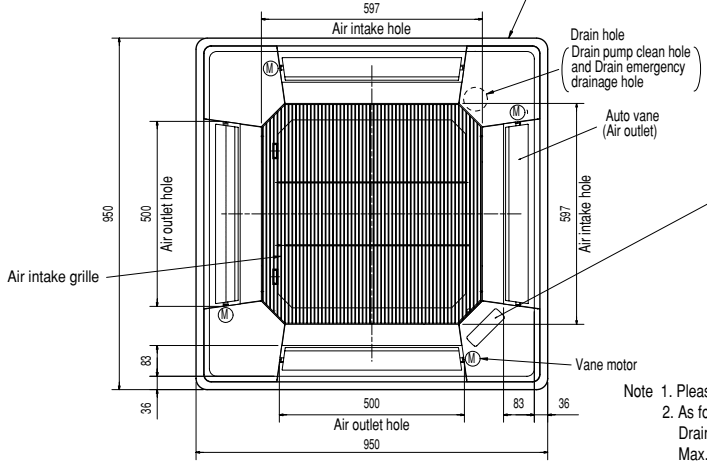
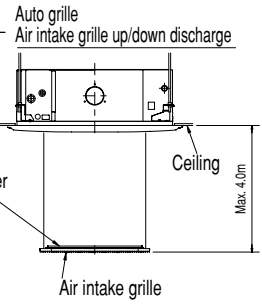
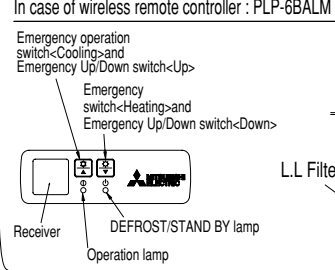


(Connected the attached flexible pipe or socket.)
 Keep approximately 10 to 15mm space between unit ceiling and ceiling slab.

In case of standard grille : PLP-6BA / PLP-6BAMD



In case of auto-grille : PLP-6BAJ
 In case of wireless remote controller : PLP-6BALM

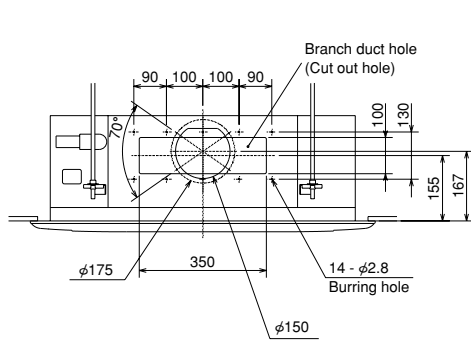


- Note 1. Please choose the grille from a standard grille, auto-grille.
 2. As for drain pipe, please use VP-25(O.D. φ32 PVC TUBE).
 Drain pump is included.
 Max. lifting height is 850mm from the ceiling.
 3. As for suspension bolt, please use M10 or W3/8.
 (Procured at local site)
 4. Electrical box may be removed for the service purpose.
 Make sure to slack the electrical wire little bit for control/ power wires connection.
 5. The height of the indoor unit is able to be adjusted with the grille attached.
 6. For the installation of the optional high efficiency filter or optional multi-functional casement.
 1) Requires E or more space between transom and ceiling for the installation.
 2) Add 135 mm to the dimensions * marked on the figure.
 3) The optional high efficiency filter becomes optional multi-functional casement and concomitant use.
 7. When installing the branch ducts, be sure to insulate adequately.
 Otherwise condensation and dripping may occur.
 (It becomes the cause of dew drops/water dew.)
 8. As for necessary installation/service space, please refer to the left figure.

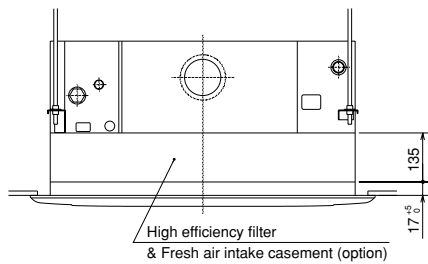
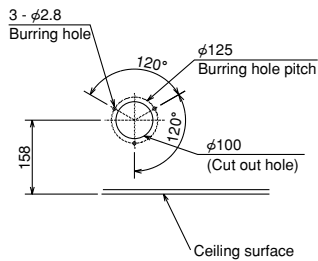
Models	①	②	A	B	C	D	E
PLA-RP35/50BA	Refrigerant pipe ...φ6.35 Flared connection ...1/4 inch	Refrigerant pipe ...φ12.7 Flared connection ...1/2 inch			80	74	
PLA-RP60BA	Refrigerant pipe φ6.35 / φ9.52 Flared connection 1/4 inch/3/8 inch (compatible)	Refrigerant pipe ...φ15.88 Flared connection ...5/8 inch	241	258	87		400
PLA-RP71BA PLA-RP71BA2	Refrigerant pipe ...φ9.52 Flared connection ...3/8 inch				85	77	
PLA-RP100,125,140BA PLA-RP100,125BA2			281	298			440

PLA-RP35AA PLA-RP50AA PLA-RP60AA PLA-RP71AA
PLA-RP100AA2 PLA-RP125AA2 PLA-RP140AA2

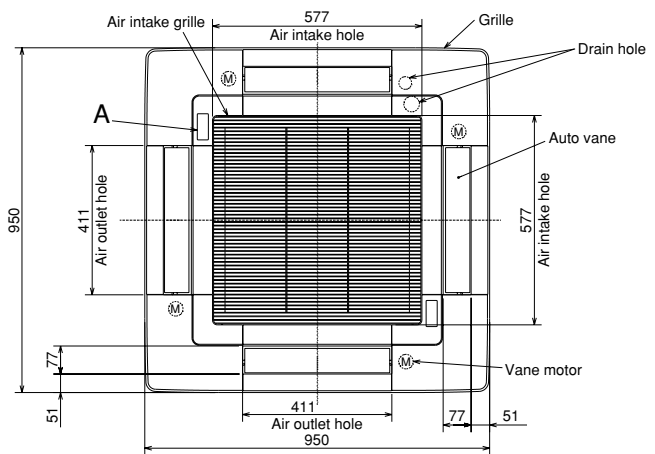
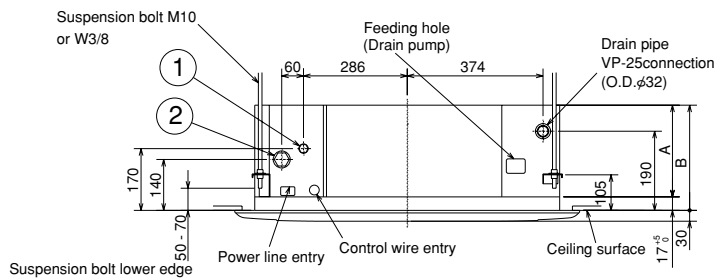
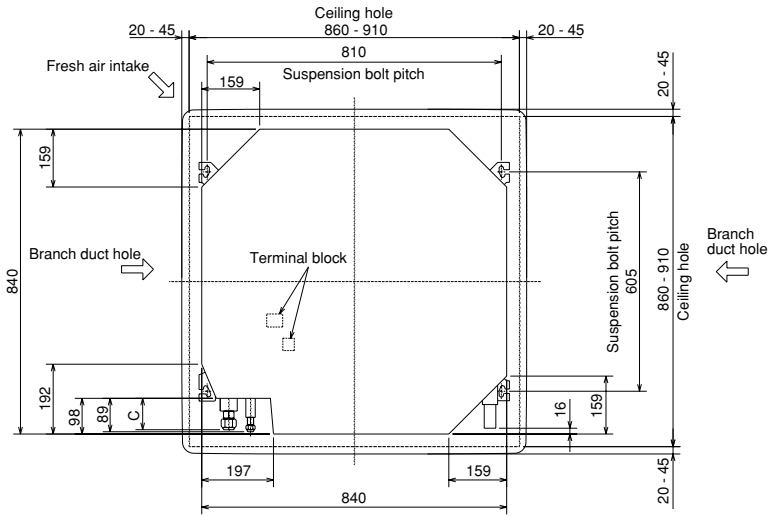
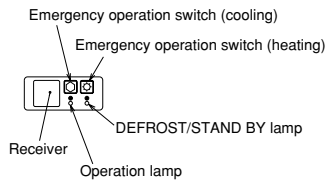
Unit : mm



Detail drawing of fresh air intake



A (WIRELESS PANEL)



Use the current nuts meeting the pipe size of the outdoor unit.
 Available pipe size

	RP35, 50	RP60	RP71	RP100, 125, 140
① LIQUID SIDE	φ6.35 ○	φ6.35	—	—
	φ9.52	φ9.52 ○	φ9.52 ○	φ9.52 ○
② GAS SIDE	φ12.7 ○	—	—	—
	φ15.88	φ15.88 ○	φ15.88 ○	φ15.88 ○
	—	—	—	φ19.05

○ : Initial flare nut size

Models	A	B	C
PLA-RP35,50AA PLA-RP60,71AA	241	258	80
PLA-RP100,125,140AA2	281	298	84

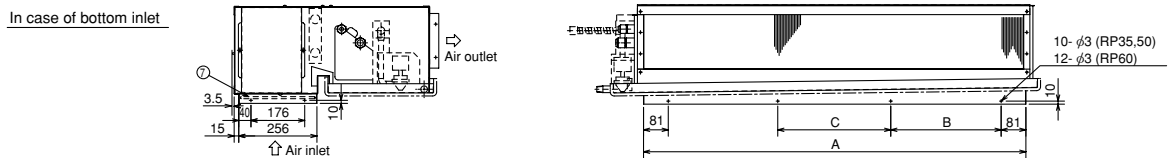
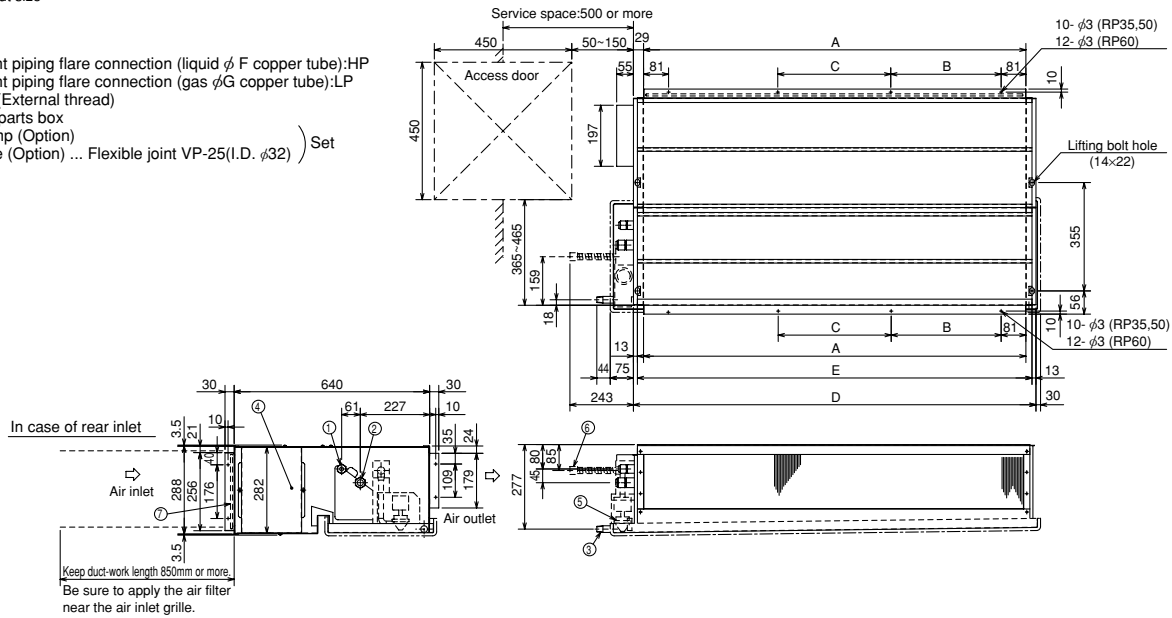
PEAD-RP35EA2
PEAD-RP50EA
PEAD-RP60EA

Unit : mm

Model	A	B	C	D	E	F	G
RP35,50	772	305	-	830	804	R410A Outdoor unit : 6.35 * R407C Outdoor unit : 9.52	R410A Outdoor unit : 12.7 * R407C Outdoor unit : 15.88
RP60	1012	280	290	1070	1044	Outdoor unit (SUZ) : 6.35 R407C Outdoor unit : 9.52 *	15.88

* Initial flare nut size

- ① Refrigerant piping flare connection (liquid ϕ F copper tube):HP
- ② Refrigerant piping flare connection (gas ϕ G copper tube):LP
- ③ Drain R1(External thread)
- ④ Electrical parts box
- ⑤ Drain Pump (Option)
- ⑥ Drain Pipe (Option) ... Flexible joint VP-25(I.D. ϕ 32)
- ⑦ Filter

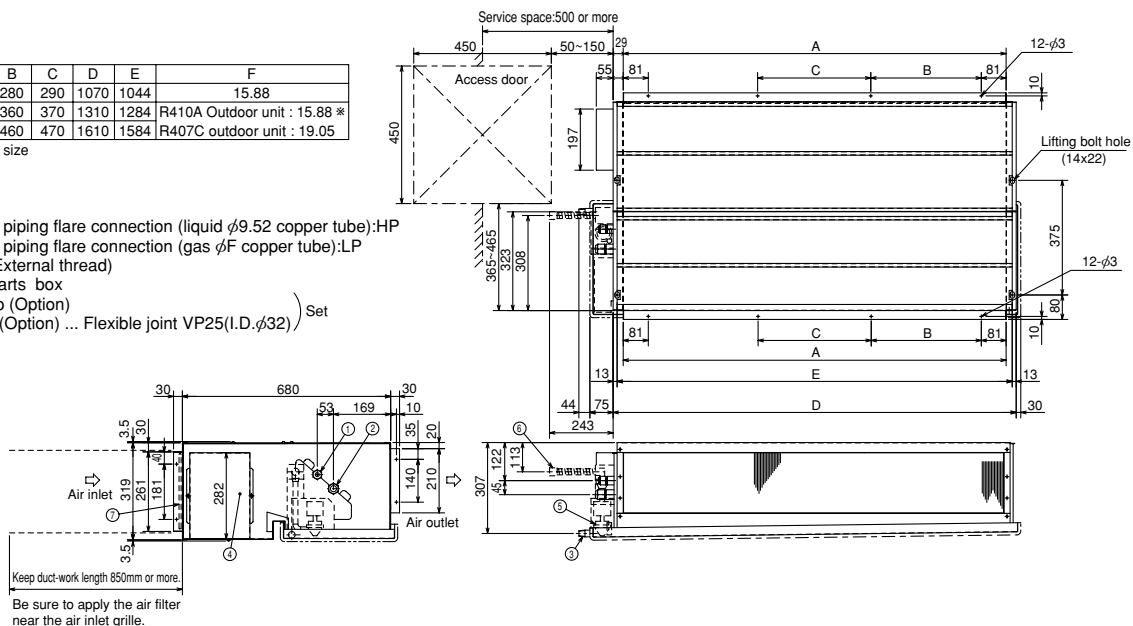


PEAD-RP71EA
PEAD-RP100EA2
PEAD-RP125EA
PEAD-RP140EA

Model	A	B	C	D	E	F
RP71	1012	280	290	1070	1044	15.88
RP100,125	1252	360	370	1310	1284	R410A Outdoor unit : 15.88 *
RP140	1552	460	470	1610	1584	R407C outdoor unit : 19.05

* Initial flare nut size

- ① Refrigerant piping flare connection (liquid ϕ 9.52 copper tube):HP
- ② Refrigerant piping flare connection (gas ϕ F copper tube):LP
- ③ Drain R1 (External thread)
- ④ Electrical parts box
- ⑤ Drain Pump (Option)
- ⑥ Drain Pipe (Option) ... Flexible joint VP25(I.D. ϕ 32)
- ⑦ Filter

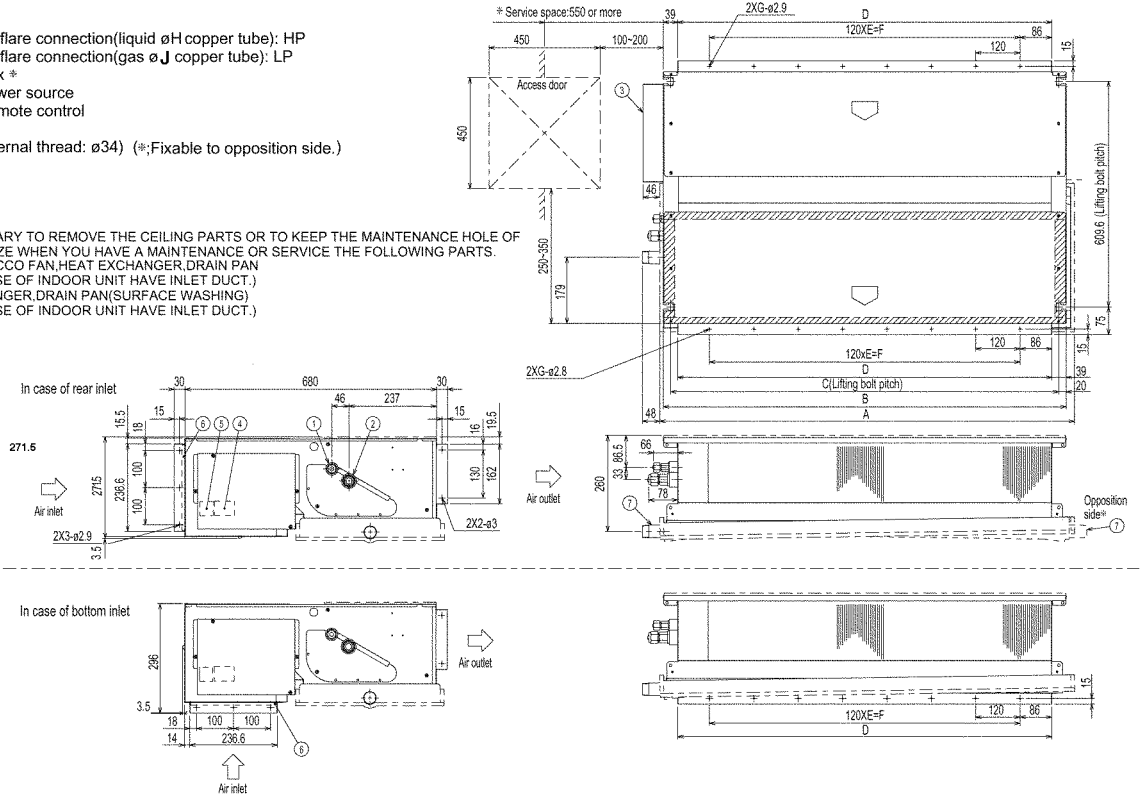


PEAD-RP60GA
PEAD-RP71GA
PEAD-RP100GA

Unit : mm

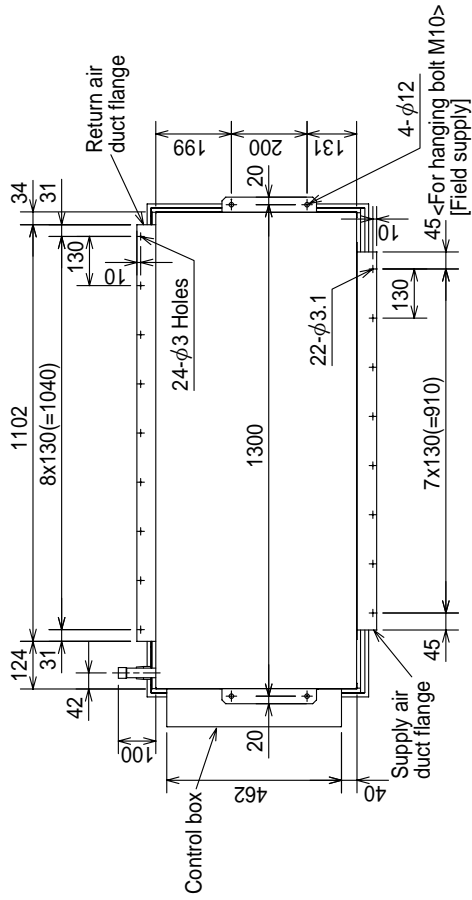
- ① Refrigerant piping flare connection(liquid øH copper tube): HP
- ② Refrigerant piping flare connection(gas øJ copper tube): LP
- ③ Electrical parts box *
- ④ Terminal bed : Power source
- ⑤ Terminal bed : Remote control
- ⑥ Filter
- ⑦ Drain pan (R1 External thread: ø34) (*;Fixable to opposition side.)

* NOTE: IT IS NECESSARY TO REMOVE THE CEILING PARTS OR TO KEEP THE MAINTENANCE HOLE OF OVER UNIT SIZE WHEN YOU HAVE A MAINTENANCE OR SERVICE THE FOLLOWING PARTS.
 SERVICE: MOTOR,SIROCCO FAN,HEAT EXCHANGER,DRAIN PAN
 (EXCHANGE) FILTER(IN CASE OF INDOOR UNIT HAVE INLET DUCT.)
 MAINTENANCE: HEAT EXCHANGER,DRAIN PAN(SURFACE WASHING)
 (WASHING) FILTER(IN CASE OF INDOOR UNIT HAVE INLET DUCT.)

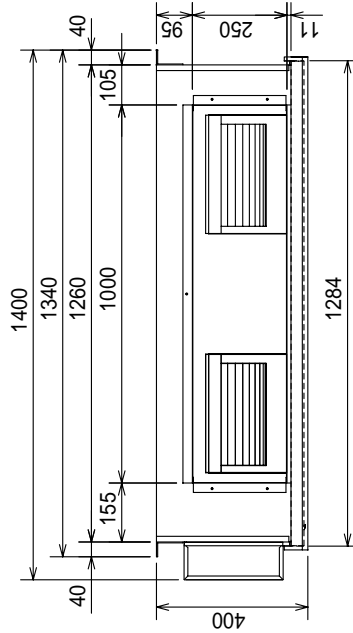


Model	A	B	C	D	E	F	G	H	J
RP60	1125	1090	1050	1012	7	840	8	Outdoor unit(SUZ) : 6.35 Other outdoor unit : 9.52 *	15.88
RP71	1125	1090	1050	1012	7	840	8	9.52	15.88
RP100	1365	1330	1290	1252	9	1080	10	9.52	R410A Outdoor unit : 15.88 * R407C Outdoor unit : 19.05

* Initial flare nut size

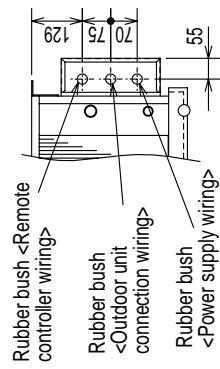


Top view

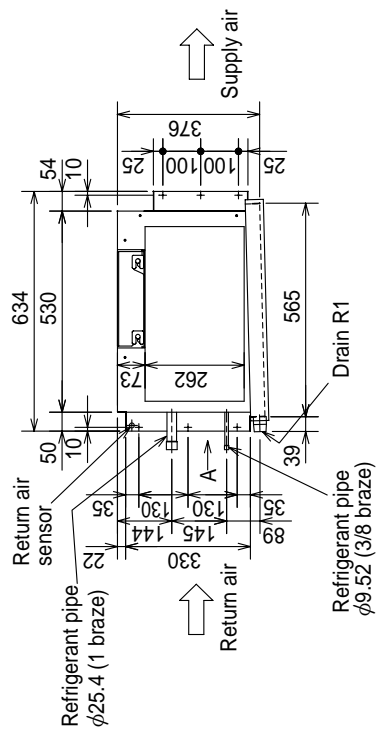


Front view

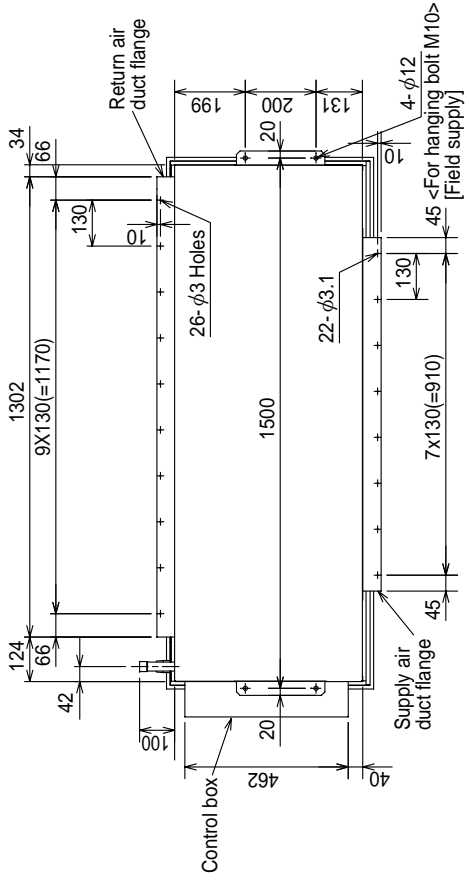
<Accessory>
 Pipe cover.....2pcs.
 (For dew condensation prevention of local piping and unit connection)
 Remote controller.....1pc.



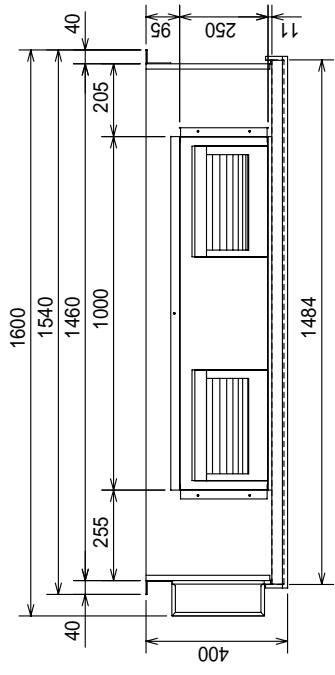
A



Left side view

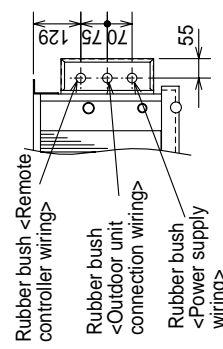


Top view

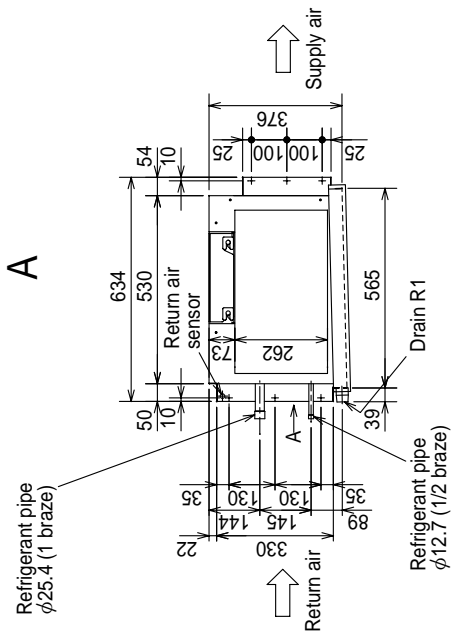


Front view

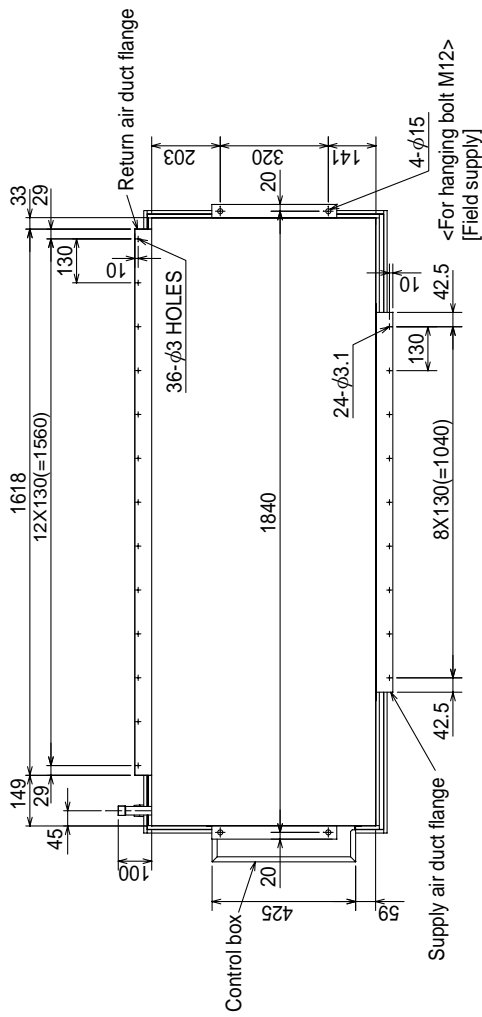
- <Accessory>
- Pipe cover.....2pcs.
(For dew condensation prevention of local piping and unit connection)
- Remote controller.....1pc.



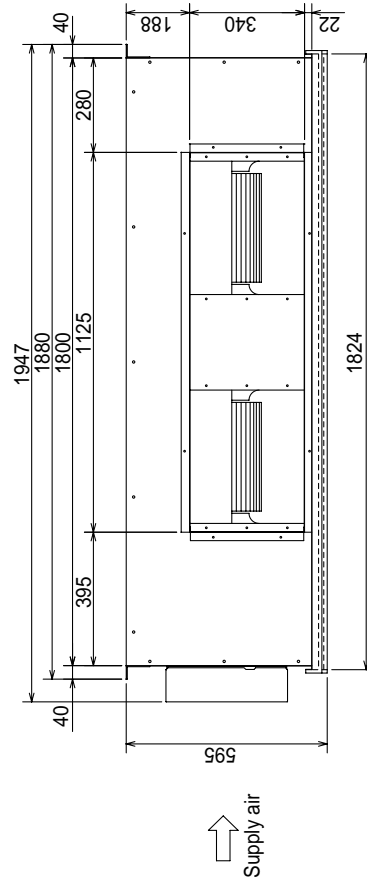
A



Left side view

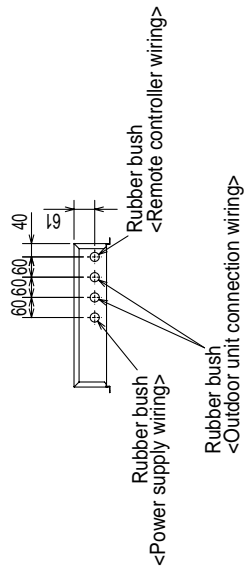


Top view

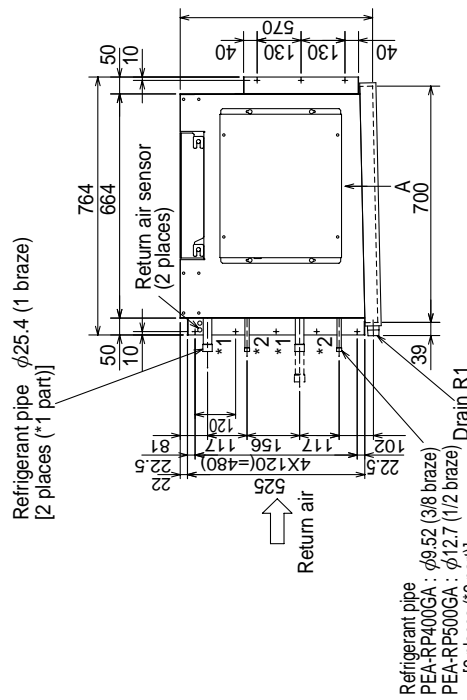


Front view

<Accessory>
 Pipe cover.....4pcs.
 (For dew condensation prevention of local piping and unit connection)
 Remote controller.....1pc.



A

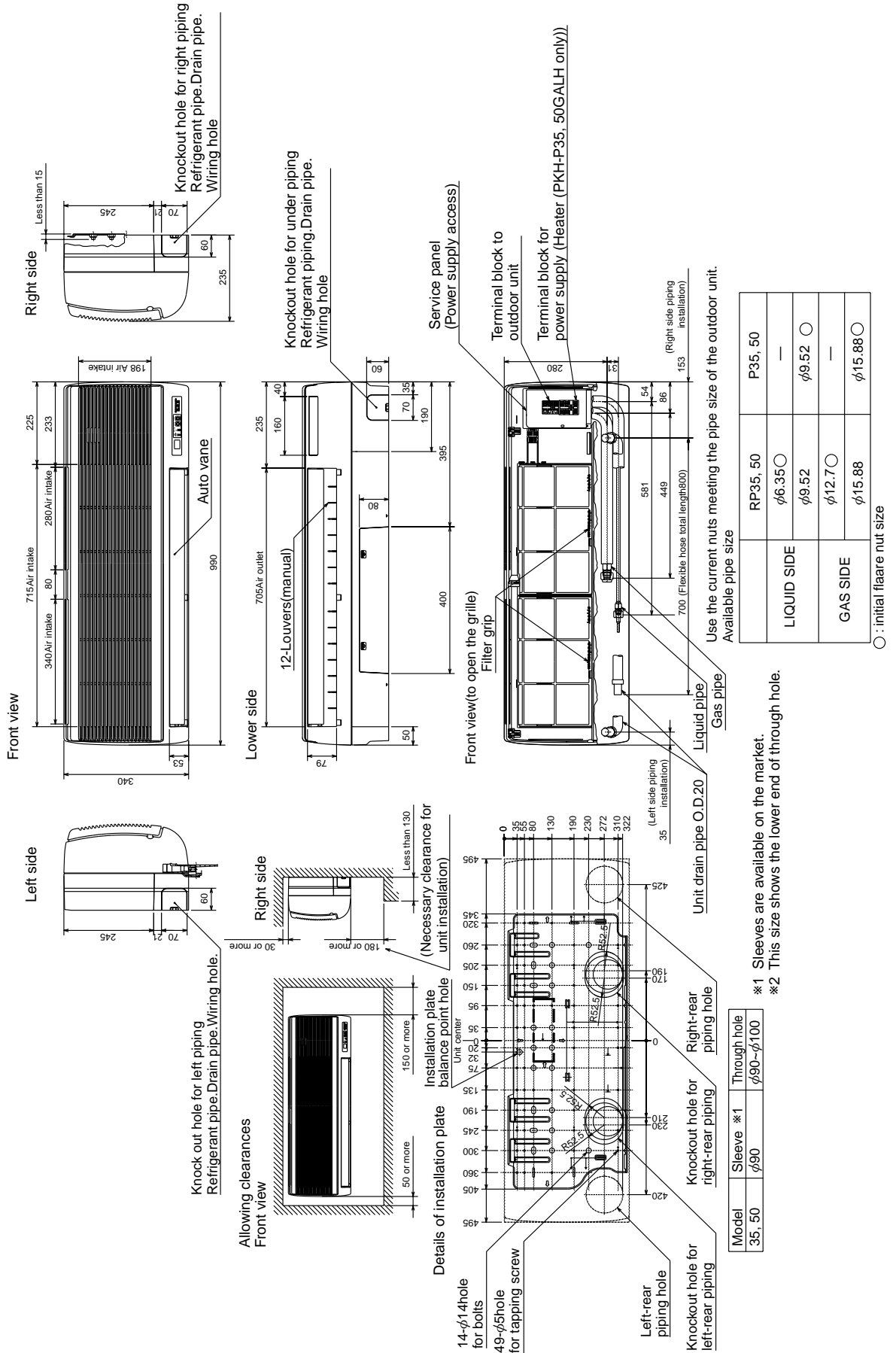


Left side view

Refrigerant pipe
 PEA-RP400GA : φ9.52 (3/8 braze)
 PEA-RP500GA : φ12.7 (1/2 braze)
 [2 places (*2 part)]

PKA-RP35GAL PKA-RP50GAL

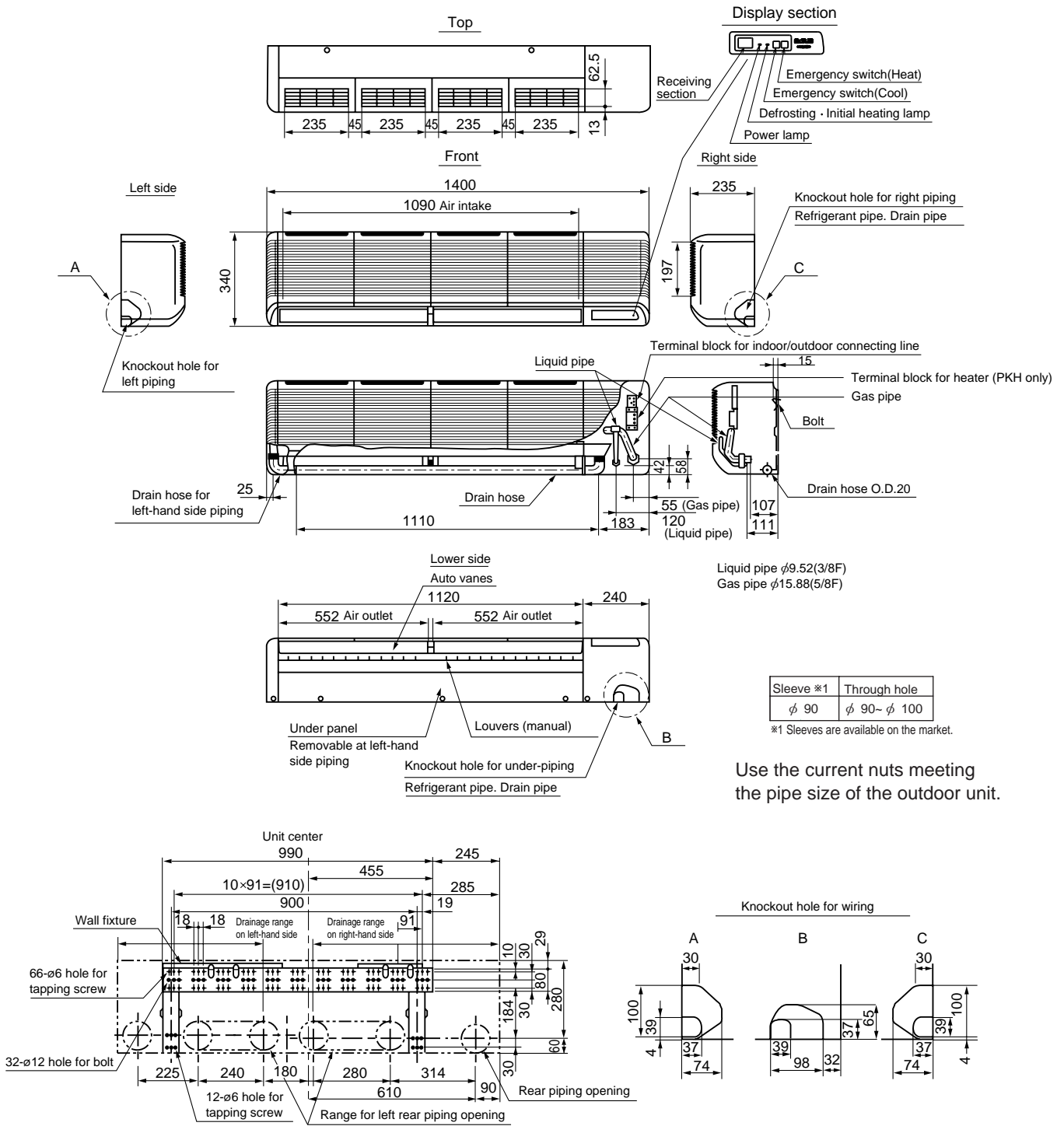
Unit : mm



*1 Sleeves are available on the market.
 *2 This size shows the lower end of through hole.

PKA-RP50FAL2
PKA-RP60FAL
PKA-RP71FAL

Unit : mm



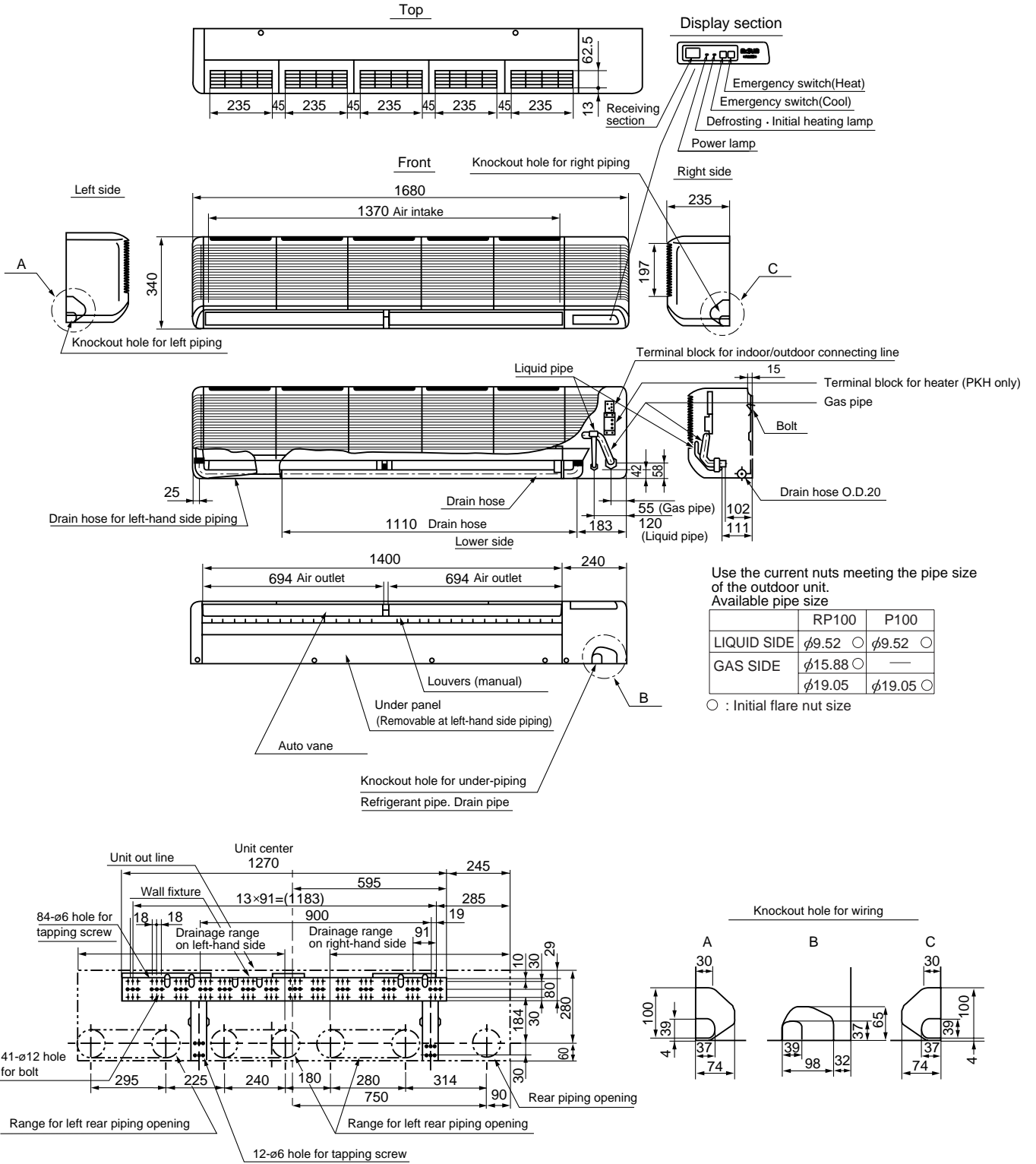
Available pipe size

	RP50	RP60,71 / P60,71
⑤ LIQUID SIDE	$\phi 6.35$ ○	—
	$\phi 9.52$	$\phi 9.52$ ○
⑥ GAS SIDE	$\phi 12.7$ ○	—
	$\phi 15.88$	$\phi 15.88$ ○
	—	—

○:Initial flare nut size

PKA-RP100FAL

Unit : mm

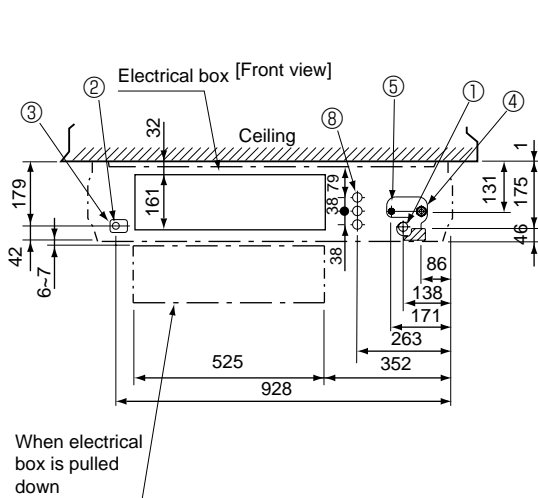
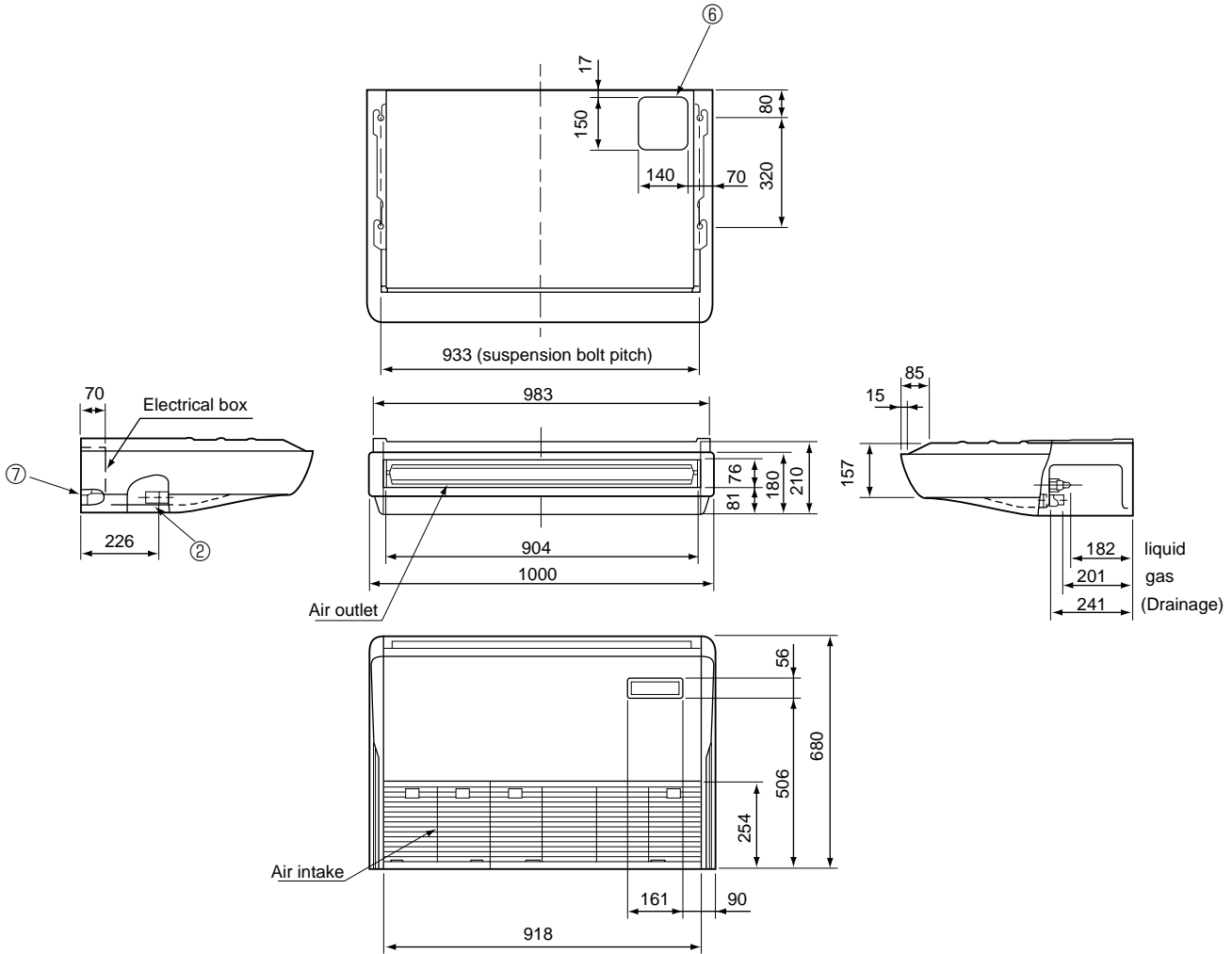


PCA-RP50GA

Unit : mm

NOTES:

1. Use M10 or W3/8 screws for anchor bolt.
2. When optional drain lift-up mechanism is installed, always provide upward piping for refrigerant piping.



- ① Drainage pipe connection (26mm I.D.)
- ② Drainage pipe connection (for the left arrangement)
- ③ Knockout hole for left drain-piping arrangement
- ④ Refrigerant-pipe connection (gas pipe side/flared connection)
- ⑤ Refrigerant-pipe connection (liquid pipe side/flared connection)
- ⑥ Knockout hole for upper drain pipe arrangement
- ⑦ Knockout hole for left drain pipe arrangement
- ⑧ Knockout hole for wiring arrangement

Use the current nuts meeting the pipe size of the outdoor unit.

Available pipe size

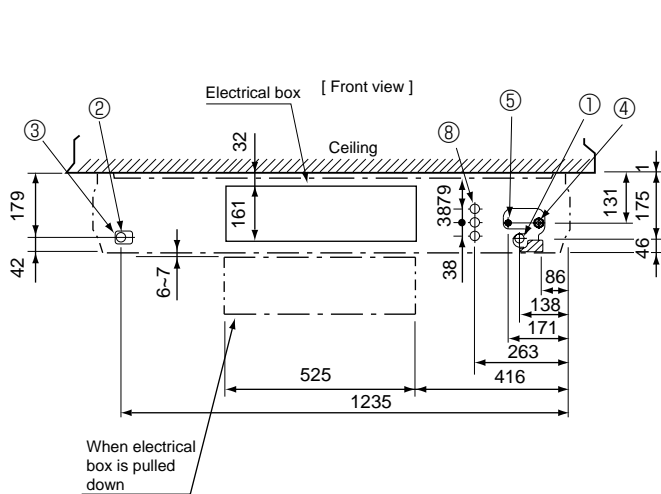
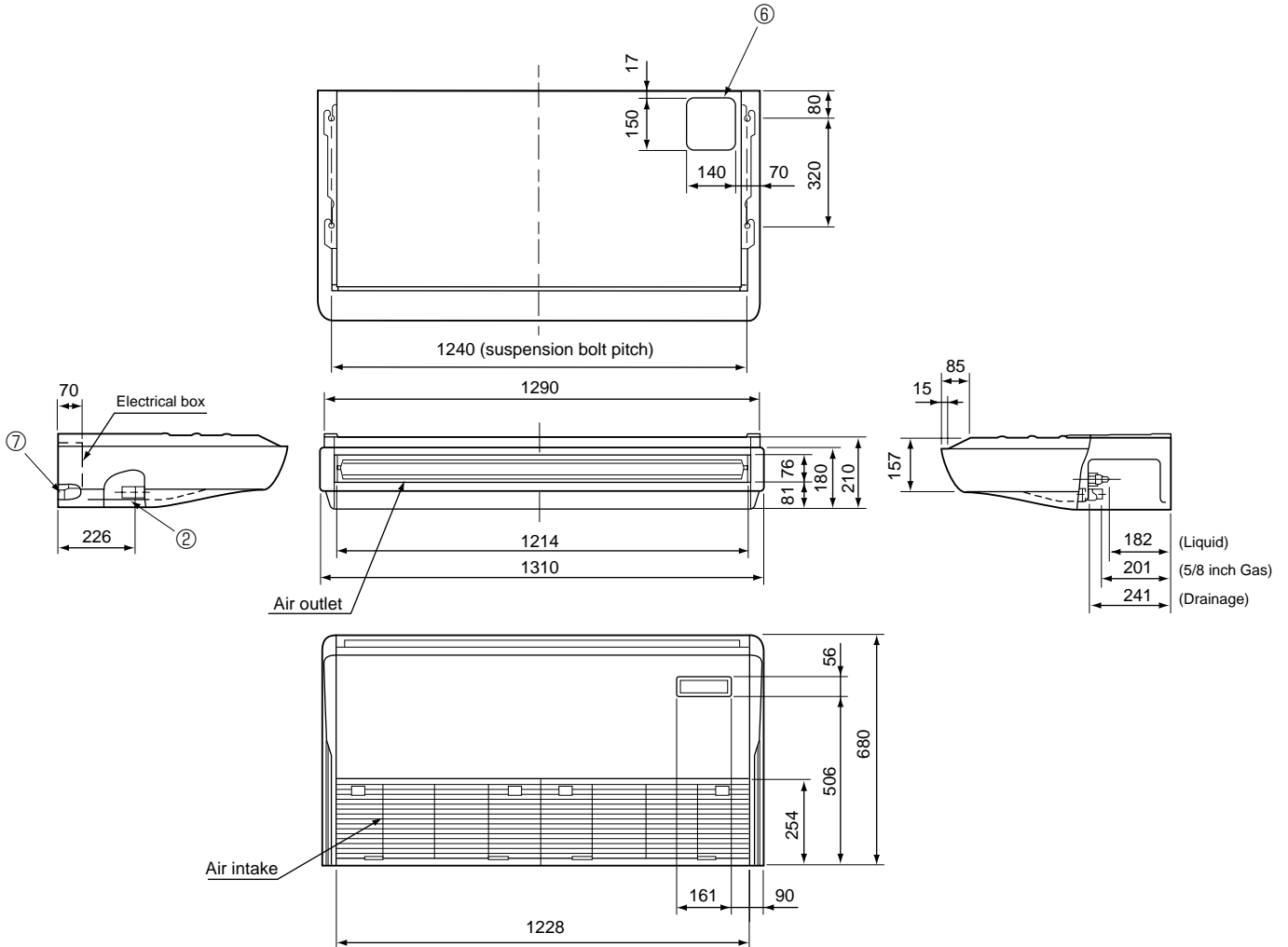
	RP50	P50
⑥ LIQUID SIDE	φ6.35 ○	—
	φ9.52	φ9.52 ○
④ GAS SIDE	φ12.7 ○	—
	φ15.88	φ15.88 ○

○ : Initial flare nut size

**PCA-RP50GA2
PCA-RP60GA
PCA-RP71GA**

Unit : mm

- NOTES:
 1. Use M10 or W3/8 screws for anchor bolt.
 2. When optional drain lift-up mechanism is installed, always provide upward piping for refrigerant piping.



- ① Drainage pipe connection (26mm I.D.)
- ② Drainage pipe connection (for the left arrangement)
- ③ Knockout hole for left drain-piping arrangement
- ④ Refrigerant-pipe connection (gas pipe side/flared connection)
- ⑤ Refrigerant-pipe connection (liquid pipe side/flared connection)
- ⑥ Knockout hole for upper drain pipe arrangement
- ⑦ Knockout hole for left drain pipe arrangement
- ⑧ Knockout hole for wiring arrangement

Use the current nuts meeting the pipe size of the outdoor unit.

Available pipe size

	RP50	RP60	RP71,P60,P71
⑤ LIQUID SIDE	$\phi 6.35$ ○	$\phi 6.35$	—
	$\phi 9.52$	$\phi 9.52$ ○	$\phi 9.52$ ○
④ GAS SIDE	$\phi 12.7$ ○	—	—
	$\phi 15.88$	$\phi 15.88$ ○	$\phi 15.88$ ○
	—	—	—

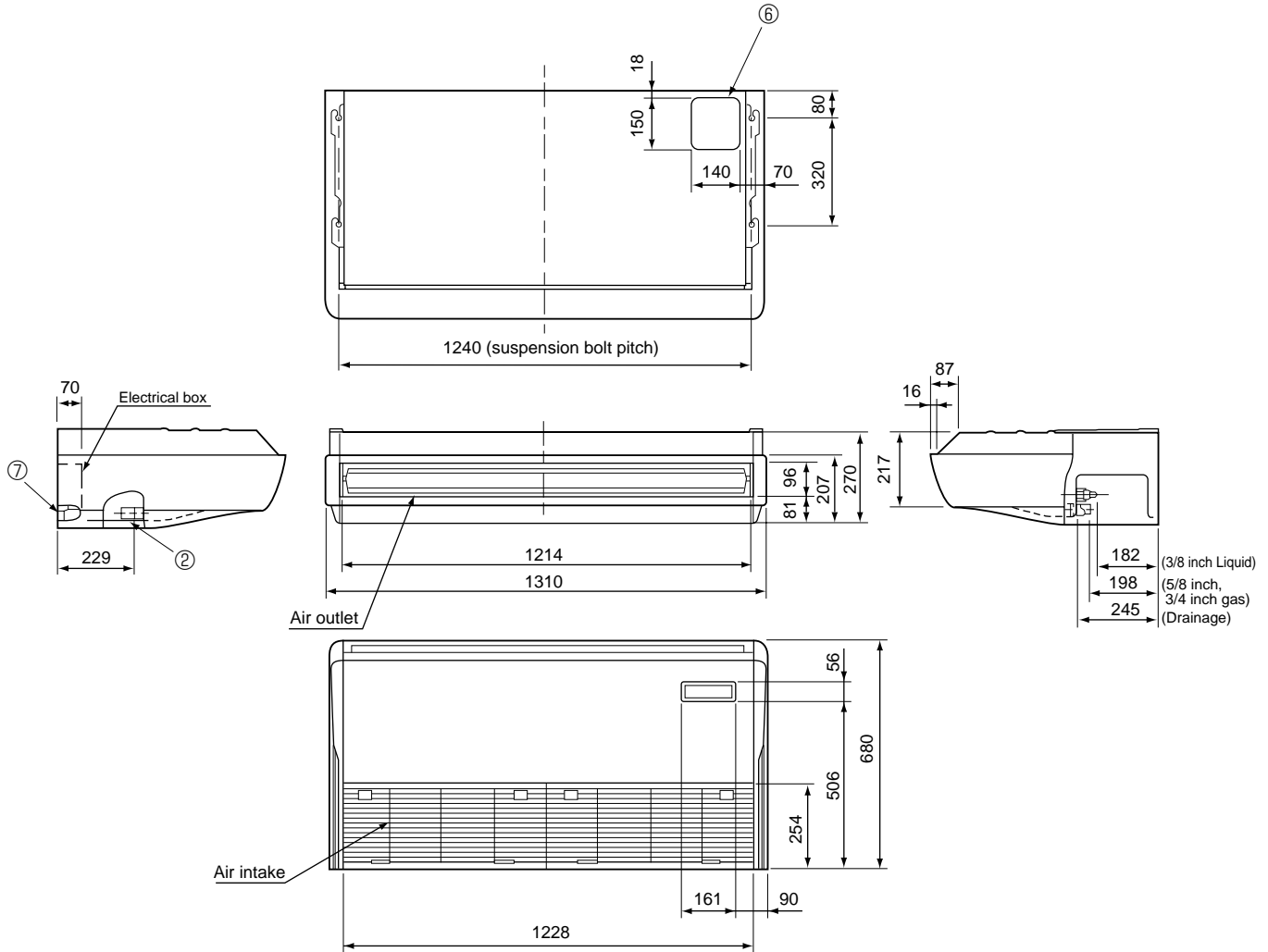
○ : Initial flare nut size

PCA-RP100GA

Unit : mm

NOTES:

1. Use M10 or W3/8 screws for anchor bolt.
2. When optional drain lift-up mechanism is installed, always provide upward piping for refrigerant piping.



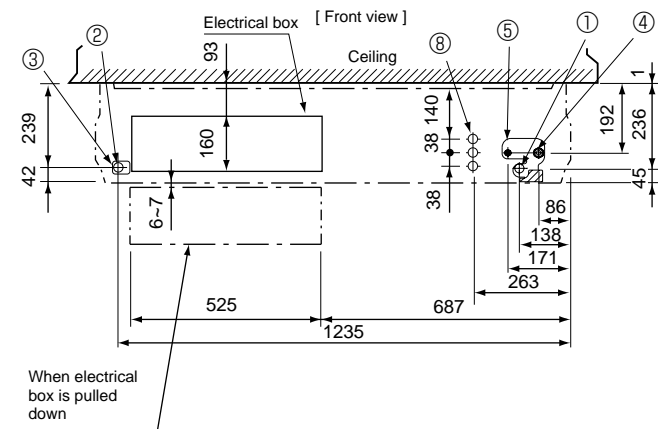
- ① Drainage pipe connection (26mm I.D.)
- ② Drainage pipe connection (for the left arrangement)
- ③ Knockout hole for left drain-piping arrangement
- ④ Refrigerant-pipe connection (gas pipe side/flared connection)
- ⑤ Refrigerant-pipe connection (liquid pipe side/flared connection)
- ⑥ Knockout hole for upper drain pipe arrangement
- ⑦ Knockout hole for left drain pipe arrangement
- ⑧ Knockout hole for wiring arrangement

Use the current nuts meeting the pipe size of the outdoor unit.

Available pipe size

	RP100	P100
⑤ LIQUID SIDE	—	—
	φ9.52 ○	φ9.52 ○
④ GAS SIDE	—	—
	φ15.88 ○	—
	φ19.05 ○	φ19.05 ○

○ :Initial flare nut size

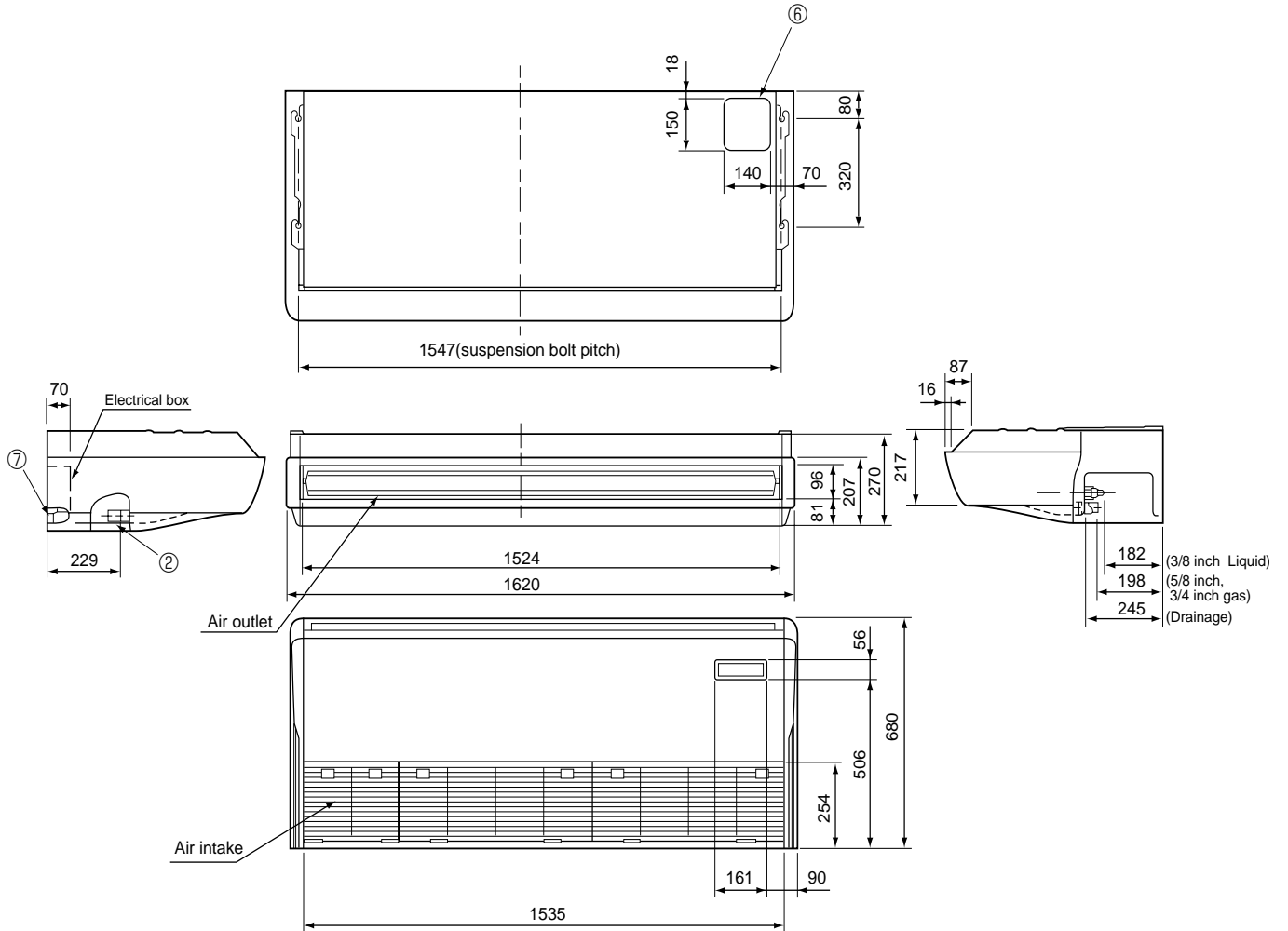


**PCA-RP125GA
PCA-RP140GA**

Unit : mm

NOTES:

1. Use M10 or W3/8 screws for anchor bolt.
2. When optional drain lift-up mechanism is installed, always provide upward piping for refrigerant piping.



- ① Drainage pipe connection (26mm I.D.)
- ② Drainage pipe connection (for the left arrangement)
- ③ Knockout hole for left drain-piping arrangement
- ④ Refrigerant-pipe connection (gas pipe side/flared connection)
- ⑤ Refrigerant-pipe connection (liquid pipe side/flared connection)
- ⑥ Knockout hole for upper drain pipe arrangement
- ⑦ Knockout hole for left drain pipe arrangement
- ⑧ Knockout hole for wiring arrangement

Use the current nuts meeting the pipe size of the outdoor unit.

Available pipe size

	RP125,140	P125,140
⑥ LIQUID SIDE	—	—
	φ9.52 ○	φ9.52 ○
④ GAS SIDE	—	—
	φ15.88 ○	—
	φ19.05	φ19.05 ○

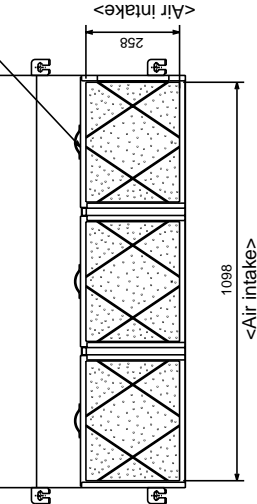
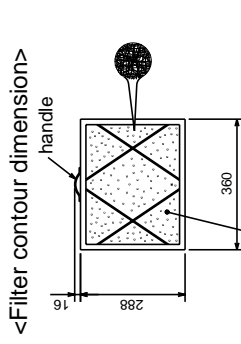
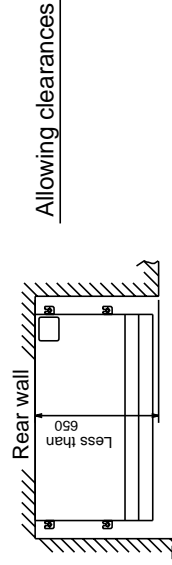
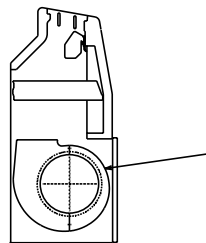
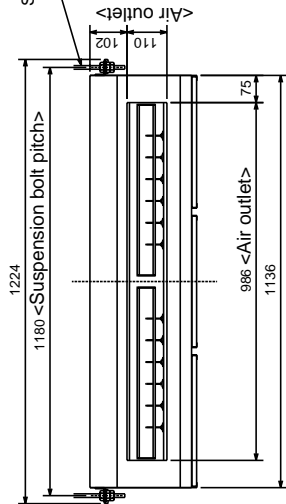
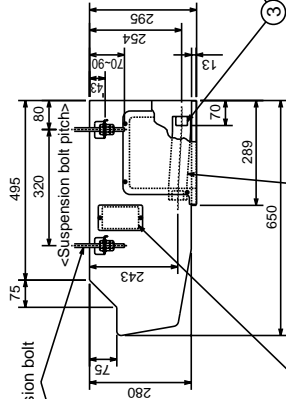
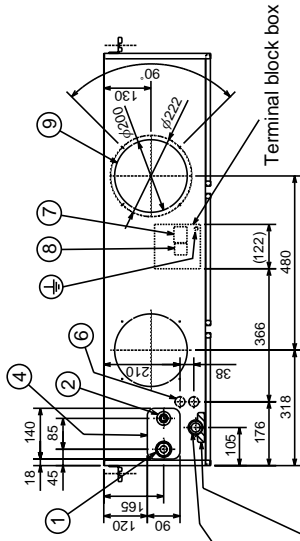
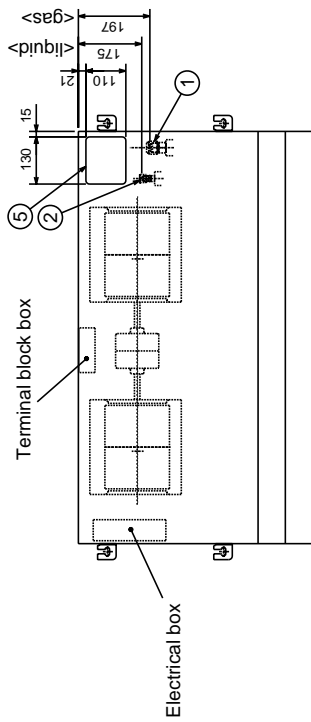
○ :Initial flare nut size

When electrical box is pulled down

PCA-RP71HA

Unit : mm

- ① Refrigerant-pipe connection(gas pipe side/flared connection : 5/8 inch)
 - ② Refrigerant-pipe connection(liquid pipe side/flared connection : 3/8 inch)
 - ③ Flexible hose(accessory) → Drainage pipe connection(26mm I.D.)
 - ④ Knockout hole for behind refrigerant-piping arrangement
 - ⑤ Knockout hole for upper refrigerant-pipe arrangement
 - ⑥ Knockout hole for wiring arrangement : 2-φ 27
 - ⑦ Terminal block(indoor/outdoor connecting line)
 - ⑧ Terminal block(remote controller)
 - ⑨ Knockout hole (duct for fresh air intake) : 2-φ 200
- Optional parts:duct flange(φ 200), model: PAC-SF28OF-E(1 pc.)

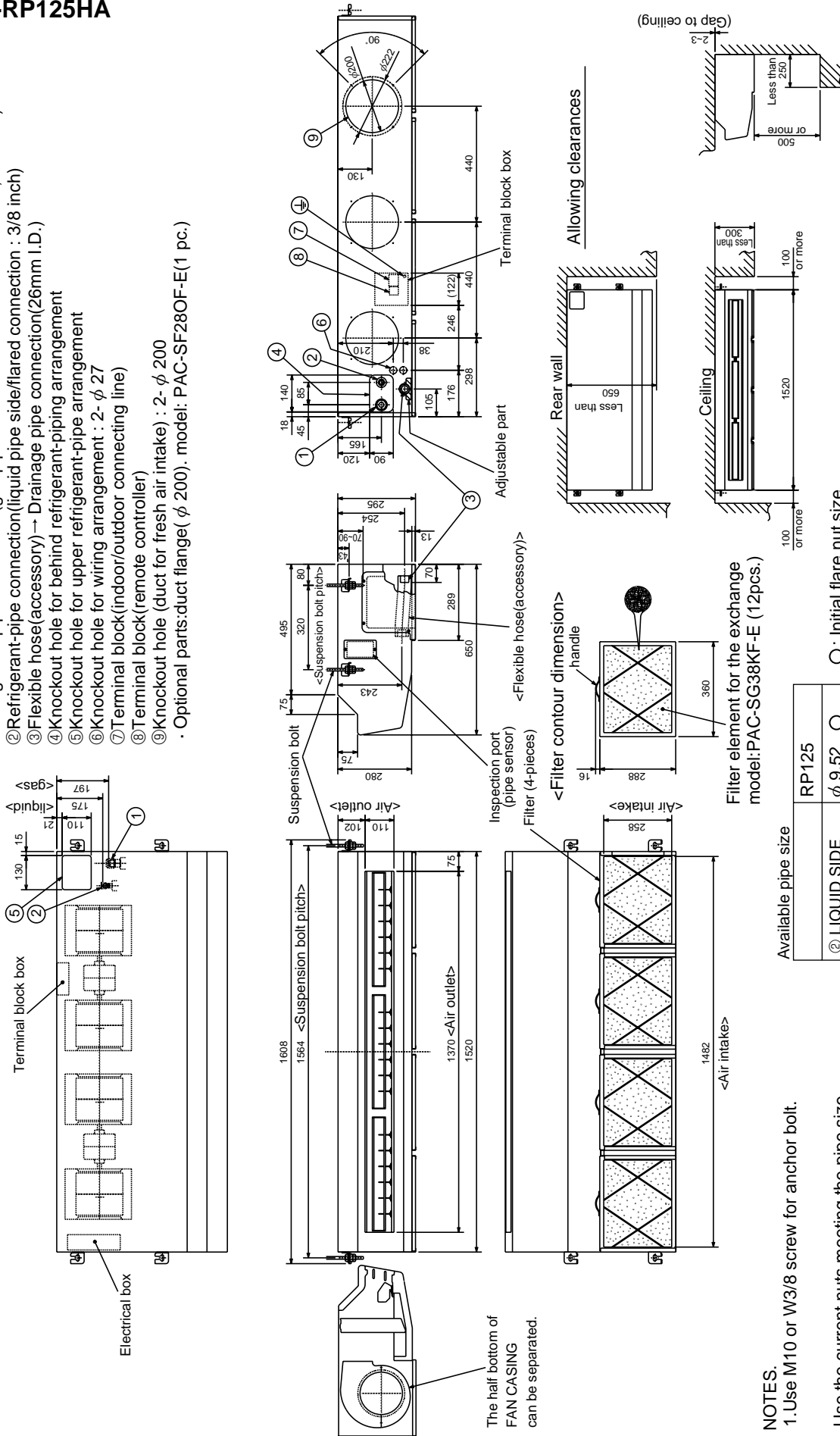


NOTES.
1. Use M10 or W3/8 screw for anchor bolt.

PCA-RP125HA

Unit : mm

- ① Refrigerant-pipe connection (gas pipe side/flared connection : 5/8 inch, 3/4 inch)
 - ② Refrigerant-pipe connection (liquid pipe side/flared connection : 3/8 inch)
 - ③ Flexible hose (accessory) → Drainage pipe connection (26mm I.D.)
 - ④ Knockout hole for behind refrigerant-piping arrangement
 - ⑤ Knockout hole for upper refrigerant-pipe arrangement
 - ⑥ Knockout hole for wiring arrangement : 2-φ 27
 - ⑦ Terminal block (indoor/outdoor connecting line)
 - ⑧ Terminal block (remote controller)
 - ⑨ Knockout hole (duct for fresh air intake) : 2-φ 200
- Optional parts: duct flange (φ 200), model: PAC-SF280F-E (1 pc.)



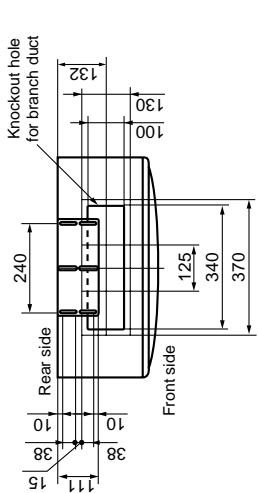
NOTES.
 1. Use M10 or W3/8 screw for anchor bolt.
 Use the current nuts meeting the pipe size of the outdoor unit.

Available pipe size	RP125
② LIQUID SIDE	φ 9.52 ○
① GAS SIDE	φ 15.88 ○
	φ 19.05

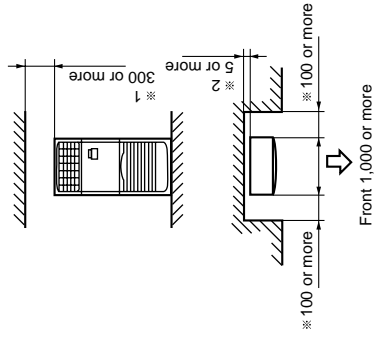
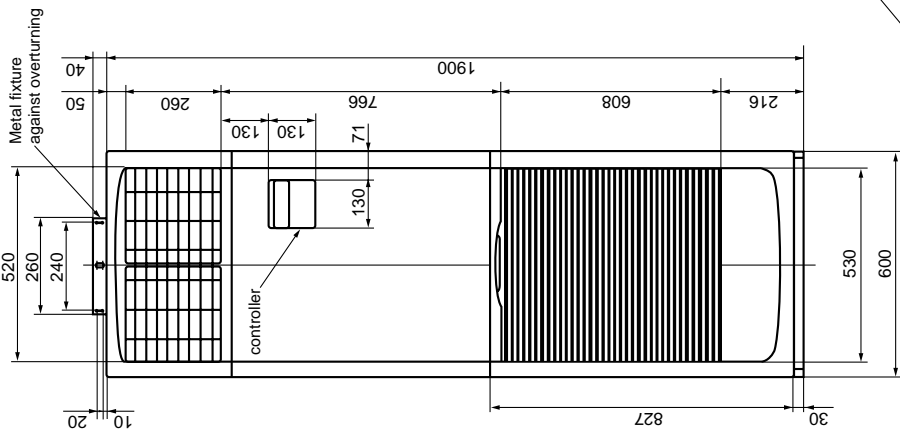
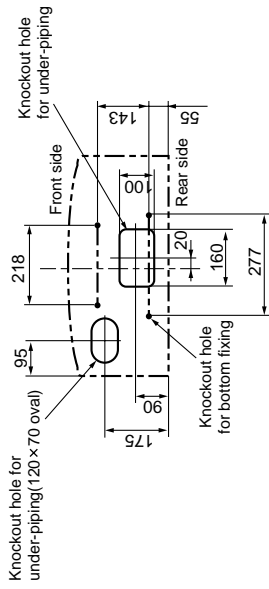
○ : Initial flare nut size

PSA-RP71GA

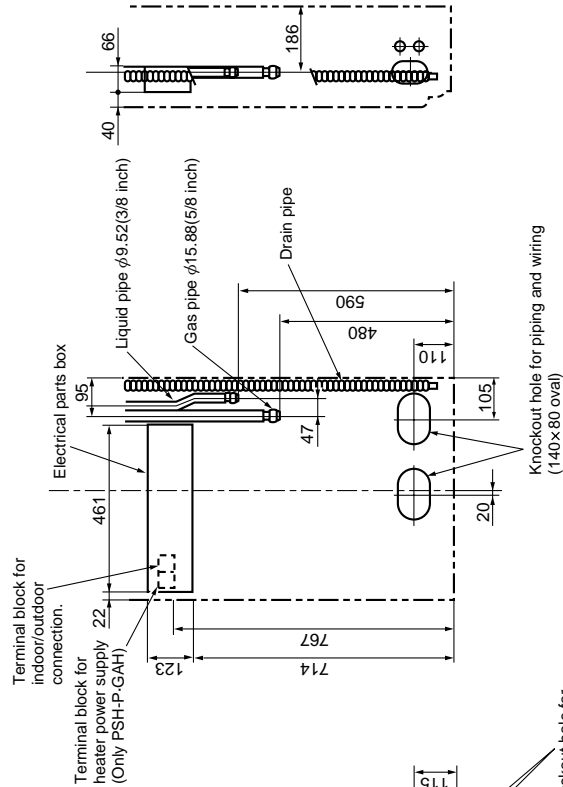
Unit : mm



VIEW "A"



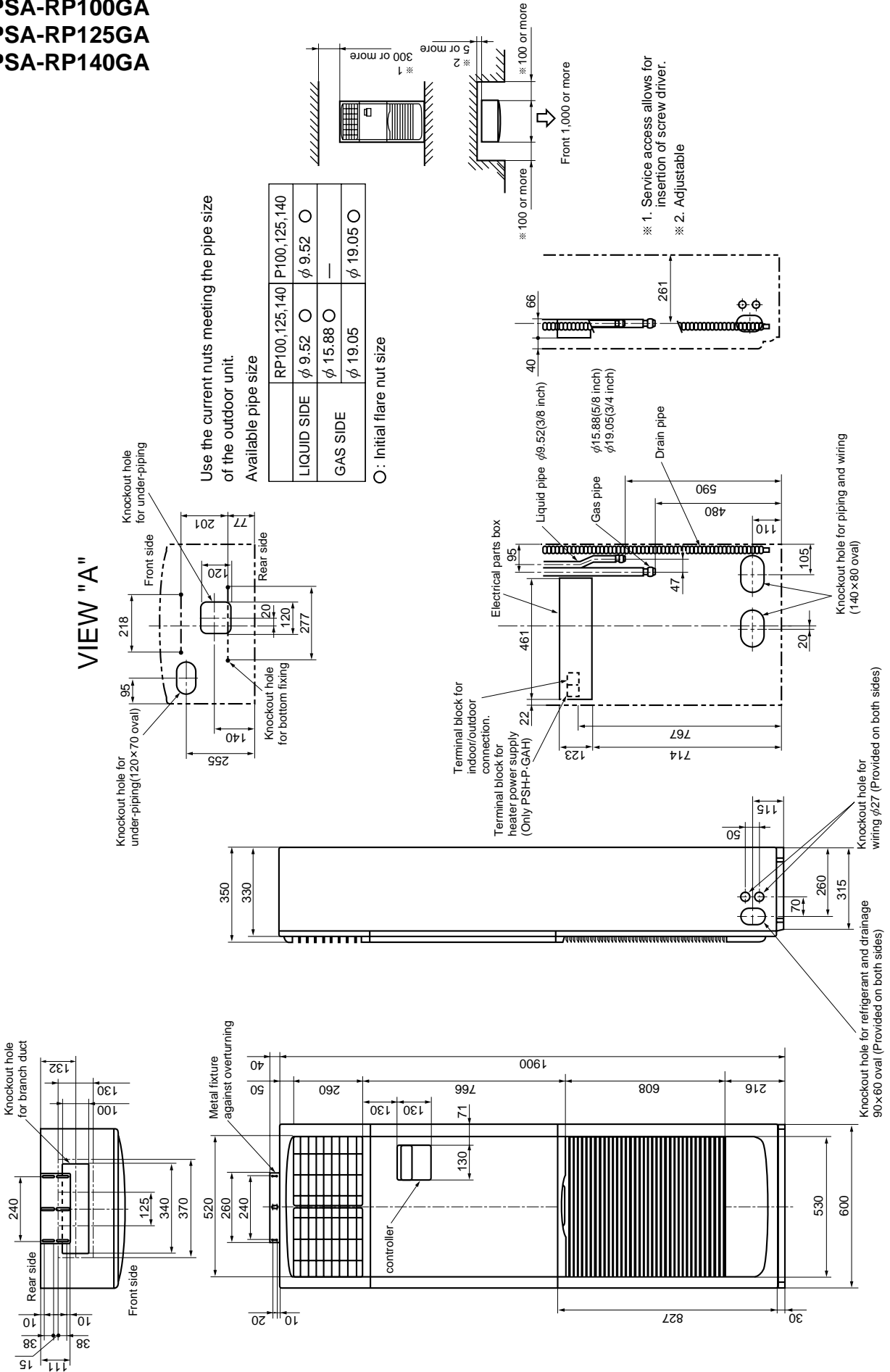
- ※ 1. Service access allows for insertion of screw driver.
- ※ 2. Adjustable



A

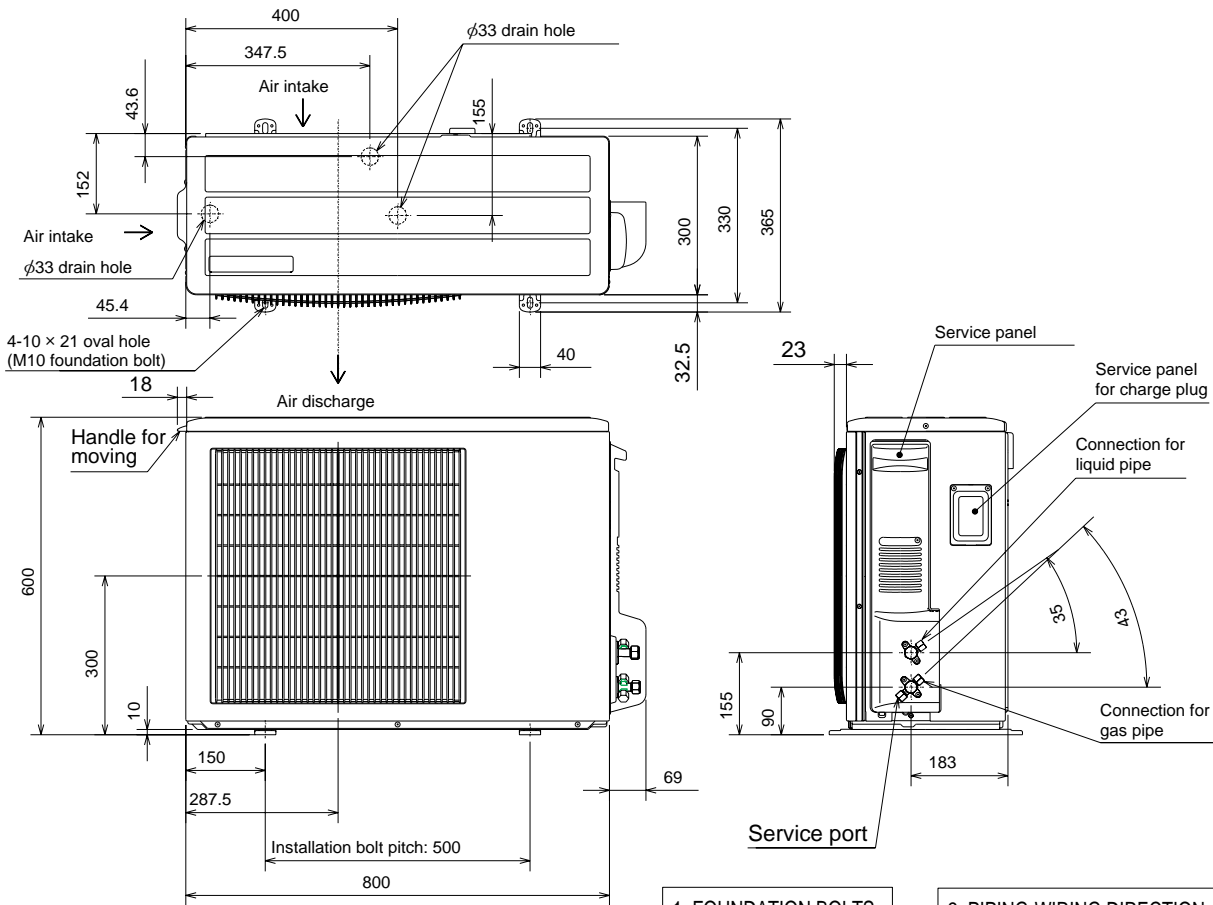
PSA-RP100GA
PSA-RP125GA
PSA-RP140GA

Unit : mm



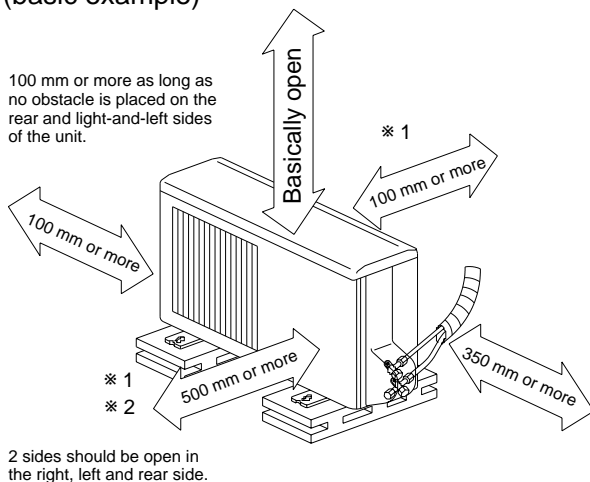
OUTDOOR UNIT
PUHZ-RP35VHA2 PUAHZ-RP35VHA3
PUHZ-RP50VHA2 PUAHZ-RP50VHA3

Unit : mm



Free space around the outdoor unit (basic example)

100 mm or more as long as no obstacle is placed on the rear and right-and-left sides of the unit.

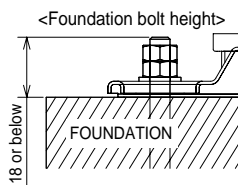


Minimum installation space for outdoor unit

- * 1. In the place where short cycle tends to occur, cooling and heating capacity and power consumption might get lowered by 10%. Air outlet guide (optional PAC-SG58SG) will help them improve.
- * 2. If air discharges to the wall, the surface might get stained.

1. FOUNDATION BOLTS

Please secure the unit firmly with 4 foundation (M10) bolts. (Bolts, washer and nut must be purchased locally.)



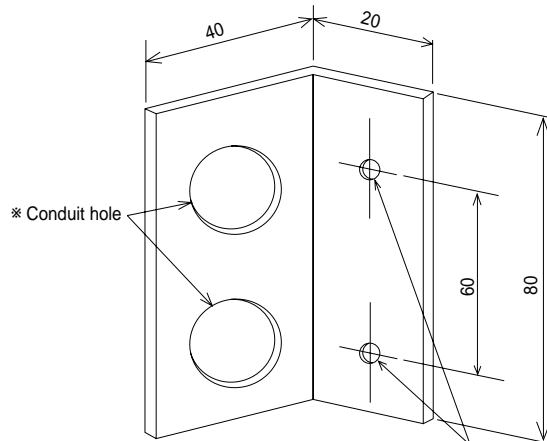
2. PIPING-WIRING DIRECTION

Piping and wiring connection can be made from the rear direction only.

3. ATTACHING THE CONDUIT

In order to attach the conduit, it is necessary to fix the metal plate with 2 screws to the back panel. Procure the metal plate and make screw holes locally. It is recommended to use the metal plate shown below. Align the metal plate to the marks on the unit and attach it.

* The position and the size of conduit hole depend on the conduit to be used.



Holes for metal plate fixing screw

* The size of hole depends on the screw to be used.

PUHZ-RP60VHA2
PUHZ-RP71VHA2

PUHZ-RP60VHA3
PUHZ-RP71VHA3

Unit : mm

1 FREE SPACE (Around the unit)

The diagram below shows a basic example.
Explanation of particular details are given in the installation manuals etc.

2 SERVICE SPACE

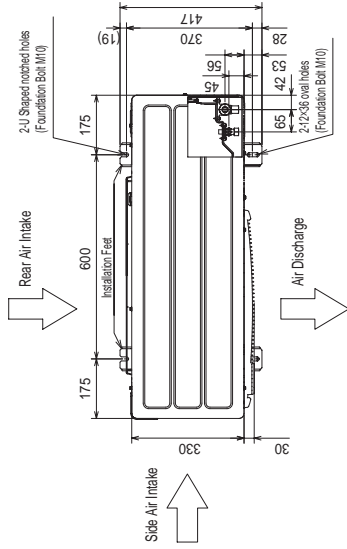
Dimensions of space needed for service access are shown in the below diagram.

3 FOUNDATION BOLTS

Please secure the unit firmly with 4 foundation (M10) bolts. (Bolts and washers must be purchased locally.)

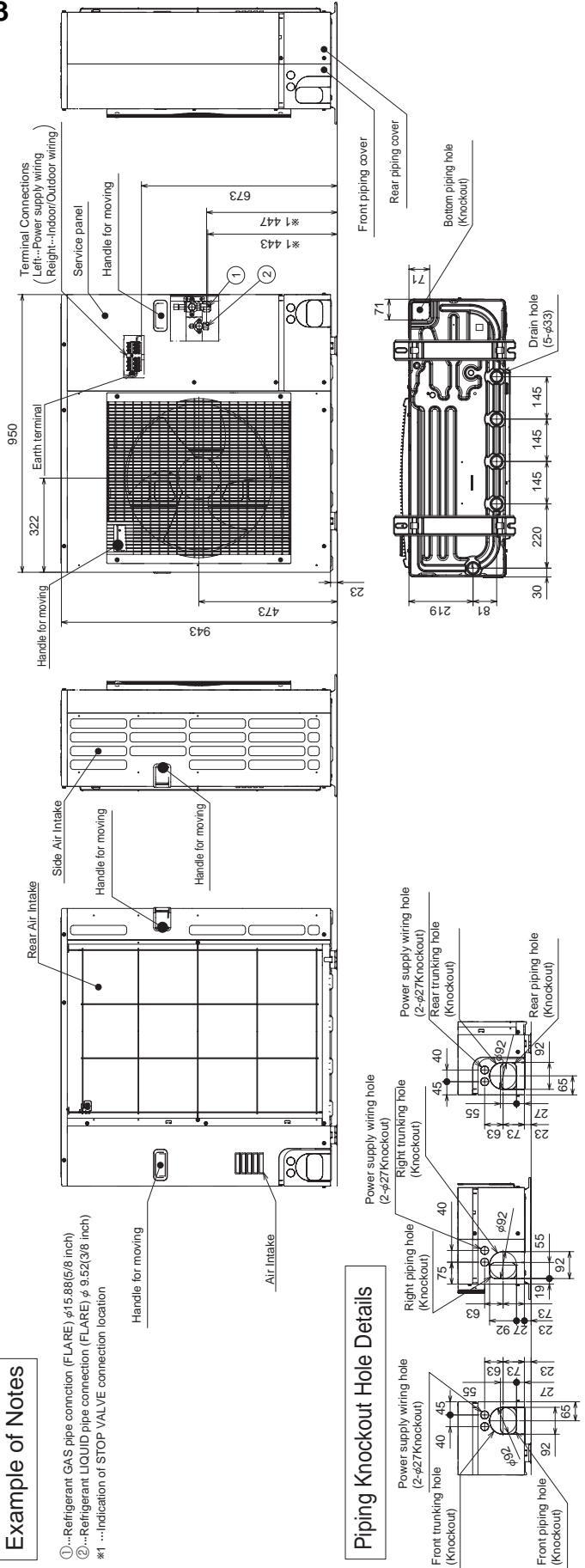
4 PIPING-WIRING DIRECTIONS

Piping and wiring connections can be made from 4 directions: front, right, rear and below.

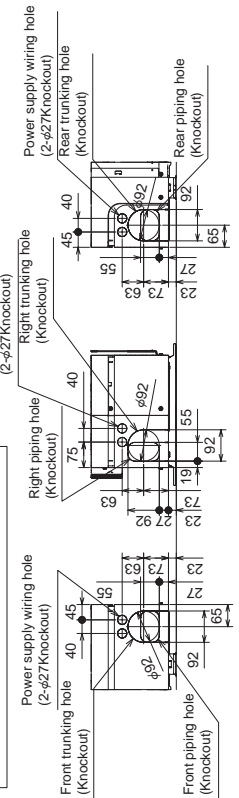


Example of Notes

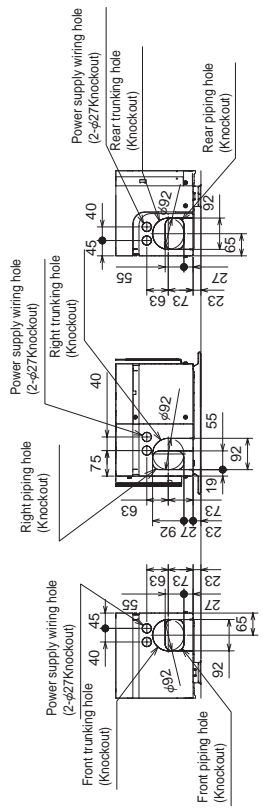
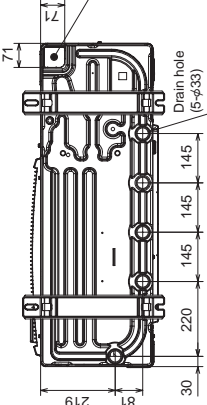
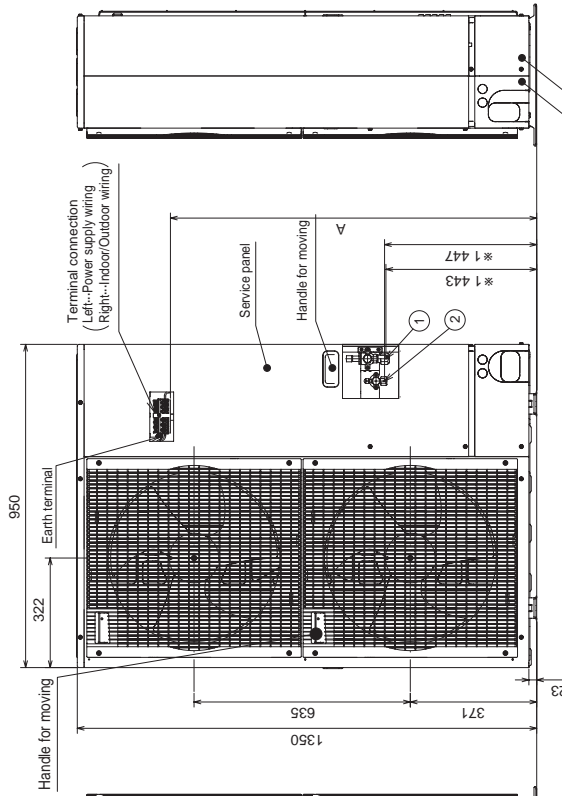
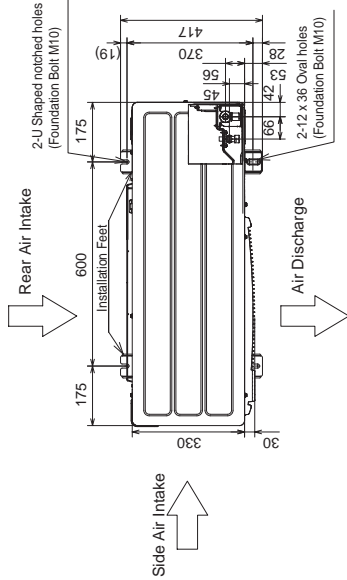
- ①...Refrigerant GAS pipe connection (FLARE) φ15.88(5/8 inch)
- ②...Refrigerant LIQUID pipe connection (FLARE) φ 9.52(3/8 inch)
- *1 ...Indication of STOP VALVE connection location



Piping Knockout Hole Details



- PUHZ-RP100VHA2
- PUHZ-RP100VHA3
- PUHZ-RP125VHA2
- PUHZ-RP140VHA2
- PUHZ-RP100YHA2
- PUHZ-RP100YHA3
- PUHZ-RP125YHA2
- PUHZ-RP140YHA2



A	RP-V	1,079
	RP-Y	930

1 FREE SPACE (Around the unit)
The diagram below shows a basic example. Explanation of particular details is given in the installation manuals etc.

2 SERVICE SPACE
Dimensions of space needed for service access are shown in the diagram below.

3 FOUNDATION BOLTS
Please secure the unit firmly with 4 foundation (M10) bolts. (Bolts and washers must be purchased locally.)

4 PIPING-WIRING DIRECTIONS
Piping and wiring connections can be made from 4 directions: front, right, rear and below.

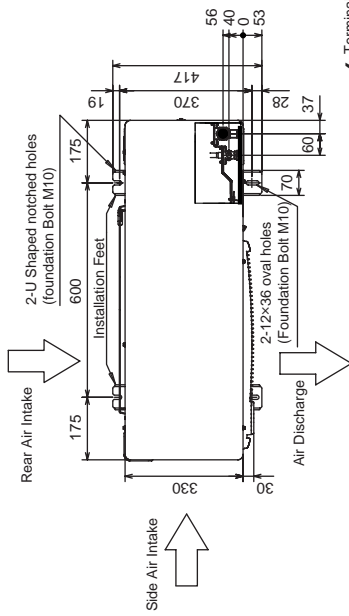
Example of Notes

- ①---Refrigerant GAS pipe connction (FLARE)φ15.88(5/8 inch)
- ②---Refrigerant LIQUID pipe connction (FLARE)φ 9.52(3/8 inch)
- * 1---Indication of STOP VALVE connection location.

Piping Knockout Hole Details

**PUHZ-RP200YHA2
PUHZ-RP250YHA2**

Unit : mm

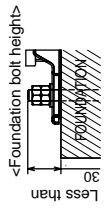


4 PIPING-WIRING DIRECTIONS

Piping and wiring connections can be made from 4 directions: front, right, rear and below.

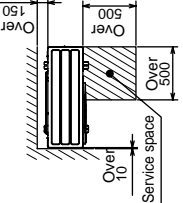
3 FOUNDATION BOLTS

Please secure the unit firmly with 4 foundation (M10) bolts. (Bolts and washers must be purchased locally).



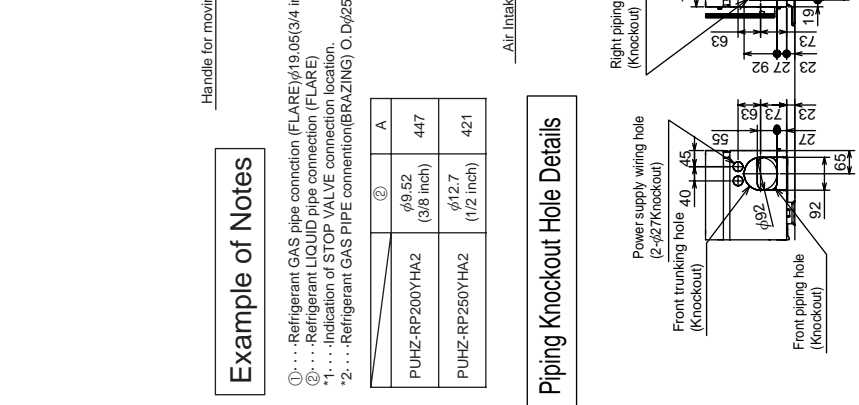
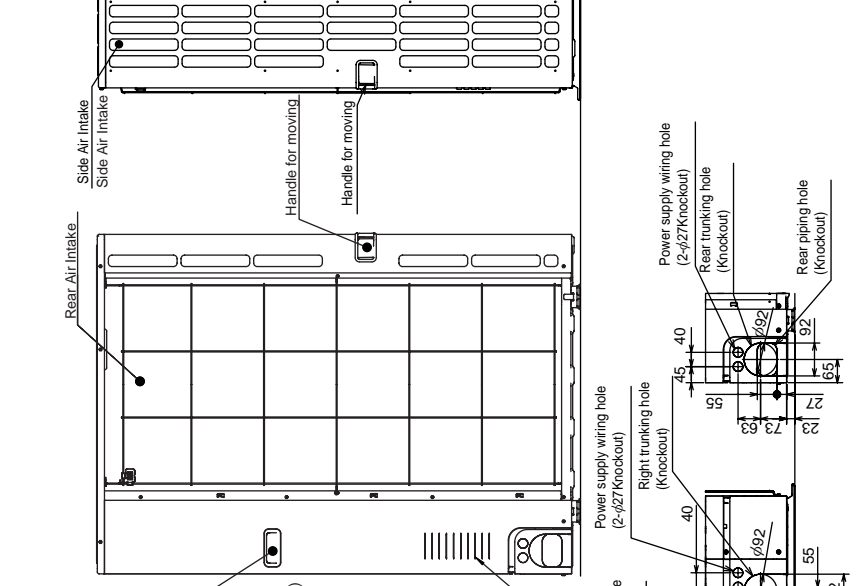
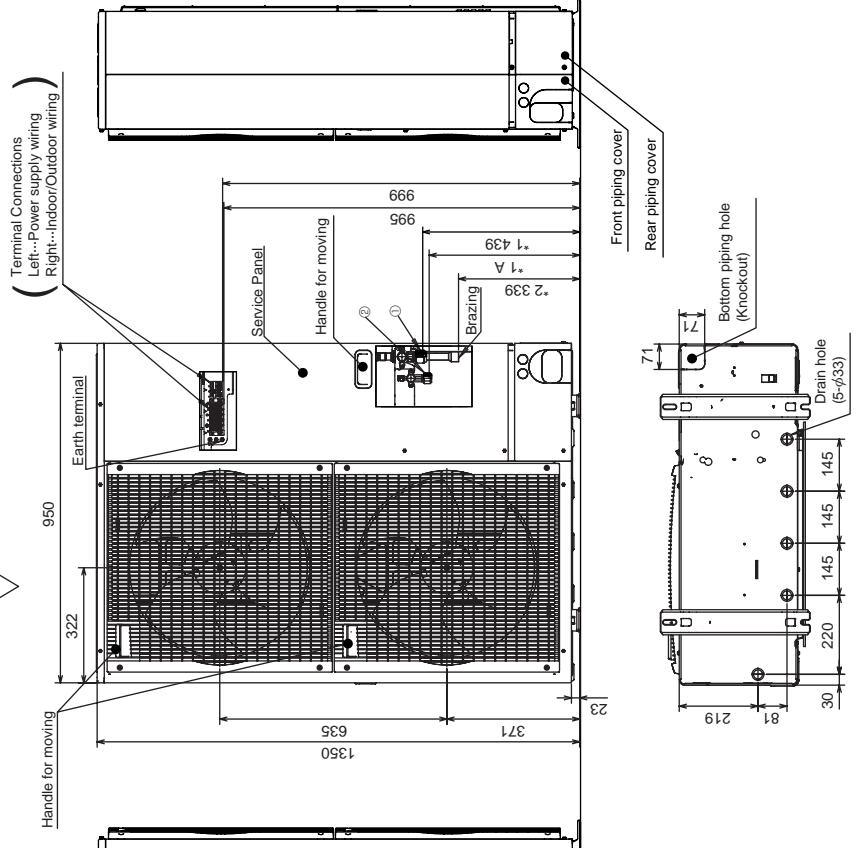
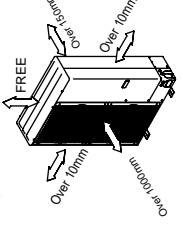
2 SERVICE SPACE

Dimensions of space needed for service access are shown in the below diagram.



1 FREE SPACE (Around the unit)

The diagram below shows a basic example. Explanation of particular details is given in the installation manuals etc.

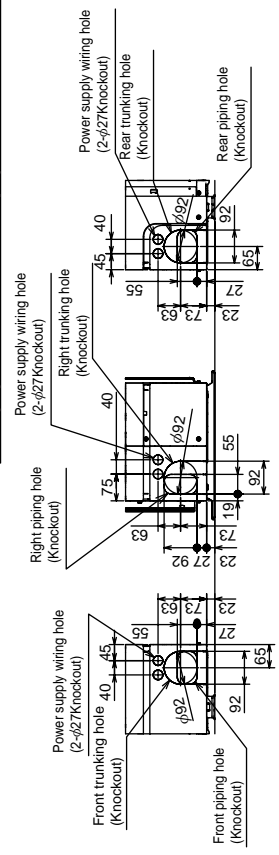


Example of Notes

- ①. . . . Refrigerant GAS pipe connection (FLARE)(φ19.05(3/4 inch))
- ②. . . . Refrigerant LIQUID pipe connection (FLARE)
- *1. . . . Indication of STOP VALVE connection location.
- *2. . . . Refrigerant GAS PIPE connection(BRAZING) O. D.φ25.4

	φ	A
P UHZ-RP200YHA2	φ9.52 (3/8 inch)	447
P UHZ-RP250YHA2	φ12.7 (1/2 inch)	421

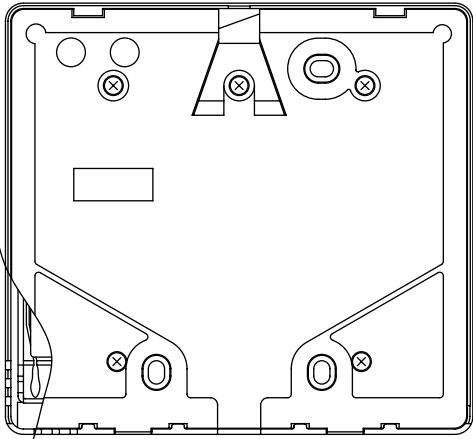
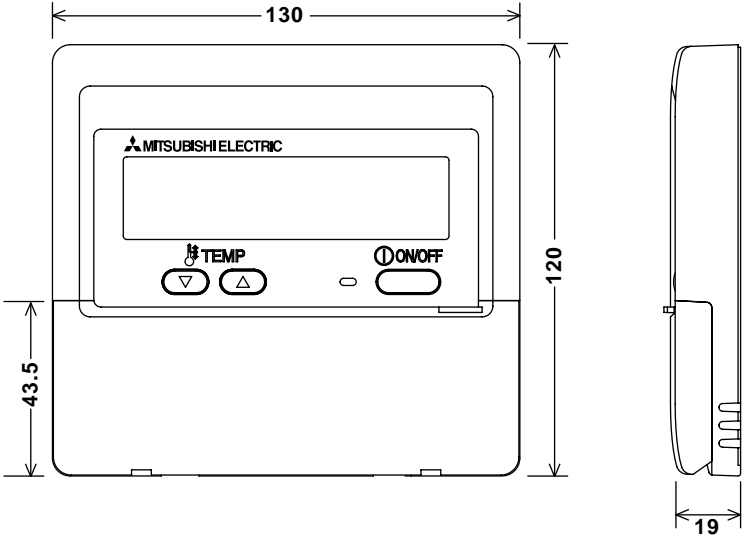
Piping Knockout Hole Details





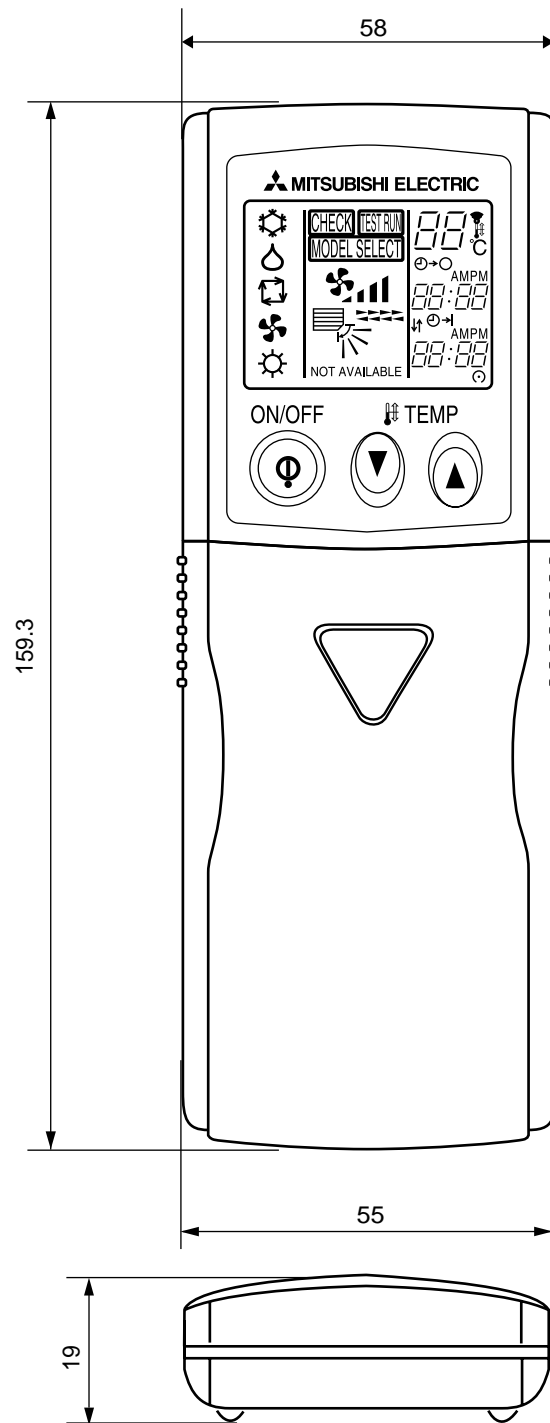
WIRED REMOTE CONTROLLER

Unit : mm



WIRELESS REMOTE CONTROLLER

Unit : mm



4-1. INDOOR UNIT

PLA-RP35BA

PLA-RP50BA

PLA-RP60BA

PLA-RP71BA

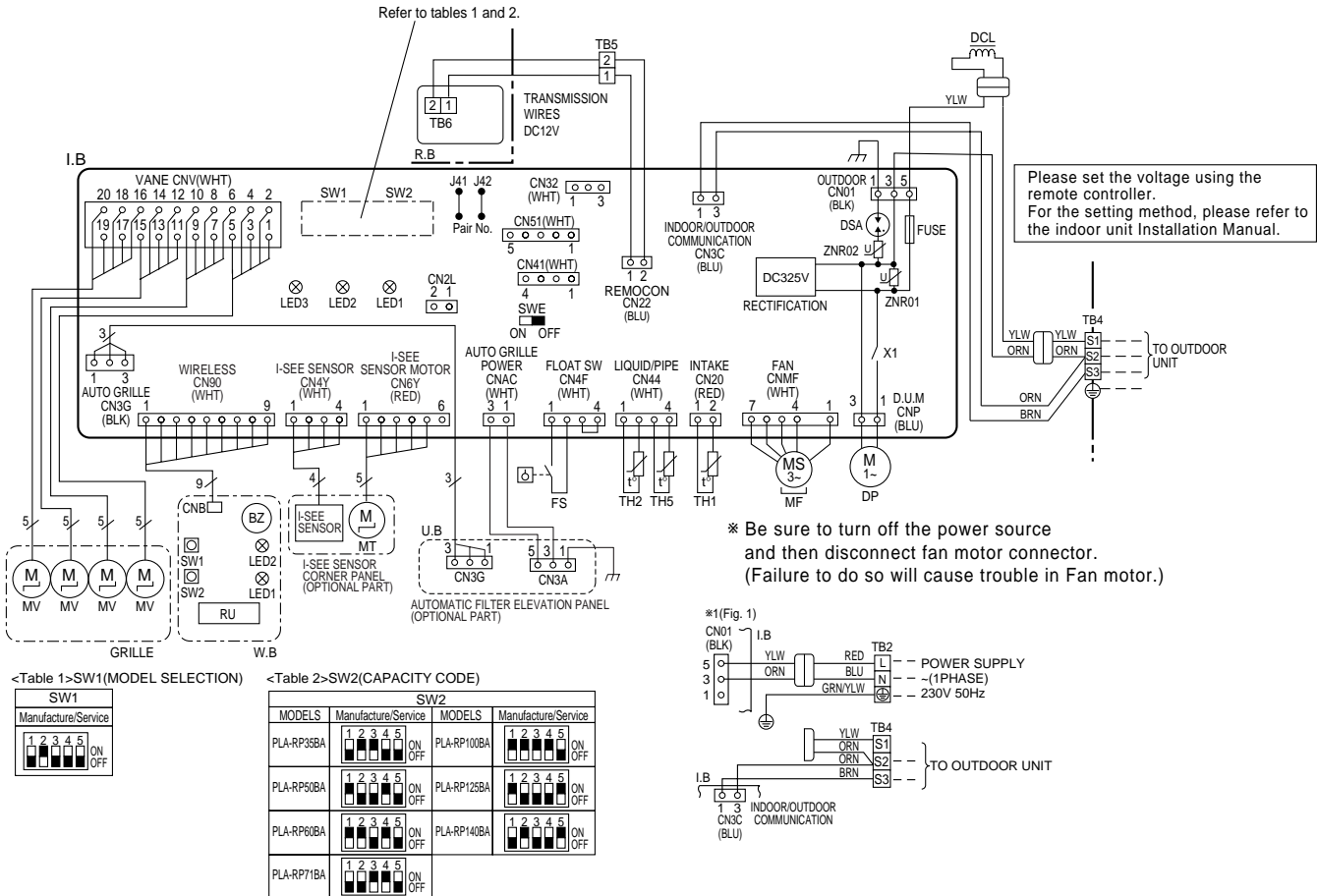
PLA-RP100BA

PLA-RP125BA

PLA-RP140BA

[LEGEND]

SYMBOL	NAME	SYMBOL	NAME
I.B	INDOOR CONTROLLER BOARD	MF	FAN MOTOR
CN2L	CONNECTOR (LOSSNAY)	MV	VANE MOTOR
CN32	CONNECTOR (REMOTE SWITCH)	TB2	TERMINAL BLOCK (Indoor unit Power (option))
CN41	CONNECTOR (HA TERMINAL-A)	TB4	TERMINAL BLOCK (INDOOR/OUTDOOR CONNECTING LINE)
CN51	CONNECTOR (CENTRALLY CONTROL)	TB5, TB6	TERMINAL BLOCK (REMOTE CONTROLLER TRANSMISSION LINE)
DSA	SURGE ABSORBER	TH1	ROOM TEMP. THERMISTOR (0°C / 15kΩ, 25°C / 5.4kΩ DETECT)
FUSE	FUSE (T6.3AL250V)	TH2	PIPE TEMP. THERMISTOR/LIQUID (0°C / 15kΩ, 25°C / 5.4kΩ DETECT)
LED1	POWER SUPPLY (L.B)	TH5	COND. / EVA. TEMP. THERMISTOR (0°C / 15kΩ, 25°C / 5.4kΩ DETECT)
LED2	POWER SUPPLY (R.B)		
LED3	TRANSMISSION (INDOOR-OUTDOOR)		
SW1	SWITCH (MODEL SELECTION) *See table 1		
SW2	SWITCH (CAPACITY CODE) *See table 2		
SWE	CONNECTOR (EMERGENCY OPERATION)	OPTIONAL PART	
X1	RELAY (DRAIN PUMP)	W.B	PCB FOR WIRELESS REMOTE CONTROLLER
ZNR01.02	VARIATOR	BZ	BUZZER
DCL	REACTOR	LED1	LED (OPERATION INDICATION : GREEN)
DP	DRAIN-UP MACHINE	LED2	LED (PREPARATION FOR HEATING : ORANGE)
FS	DRAIN FLOAT SWITCH	RU	RECEIVING UNIT
		SW1	EMERGENCY OPERATION (HEAT / DOWN)
		SW2	EMERGENCY OPERATION (COOL / UP)



Notes:

1. Symbols used in wiring diagram above are, []: Connector, []: Terminal (block).
2. Indoor and outdoor connecting wires have polarities, make sure to match terminal numbers (S1, S2, S3) for correct wirings.
3. Since the outdoor side electric wiring may change, be sure to check the outdoor unit electric wiring diagram for servicing.
4. This diagram shows the wiring of indoor and outdoor connecting wires (specification of 230V), adopting superimposed system of power and signal.

*1: When supplying power separately to indoor and outdoor units, refer to Fig 1.

*2: For power supply system of this unit, refer to the caution label located near this diagram.

PLA-RP71BA2

PLA-RP100BA2

PLA-RP125BA2

[LEGEND]

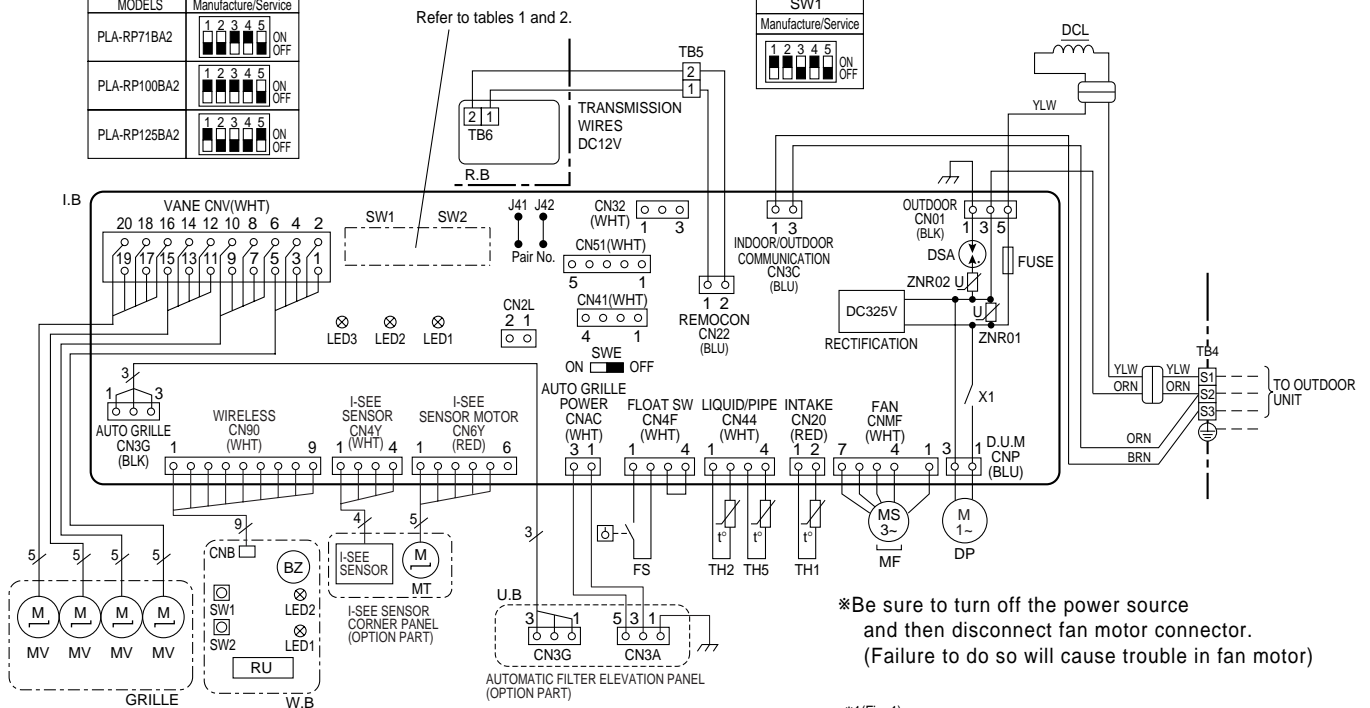
SYMBOL	NAME	SYMBOL	NAME
I.B	INDOOR CONTROLLER BOARD	MF	FAN MOTOR
CN2L	CONNECTOR (LOSSNAY)	MV	VANE MOTOR
CN32	CONNECTOR (REMOTE SWITCH)	TB2	TERMINAL BLOCK (Indoor unit Power (option))
CN41	CONNECTOR (HA TERMINAL-A)	TB4	TERMINAL BLOCK (INDOOR/OUTDOOR CONNECTING LINE)
CN51	CONNECTOR (CENTRALLY CONTROL)	TB5,TB6	TERMINAL BLOCK (REMOTE CONTROLLER TRANSMISSION LINE)
DSA	SURGE ABSORBER		
FUSE	FUSE (T6.3AL250V)	TH1	ROOM TEMP. THERMISTOR (0°C / 15kΩ, 25°C / 5.4kΩ DETECT)
LED1	POWER SUPPLY (L.B)	TH2	PIPE TEMP. THERMISTOR/LIQUID (0°C / 15kΩ, 25°C / 5.4kΩ DETECT)
LED2	POWER SUPPLY (R.B)	TH5	COND./EVA. TEMP. THERMISTOR (0°C / 15kΩ, 25°C / 5.4kΩ DETECT)
LED3	TRANSMISSION (INDOOR-OUTDOOR)		
SW1	SWITCH (MODEL SELECTION) *See table 1		
SW2	SWITCH (CAPACITY CODE) *See table 2		
SWE	CONNECTOR (EMERGENCY OPERATION)	OPTION PART	
X1	RELAY (DRAIN PUMP)	W.B	PCB FOR WIRELESS REMOTE CONTROLLER
ZNR01,02	VARISTOR	BZ	BUZZER
DCL	REACTOR	LED1	LED (OPERATION INDICATION : GREEN)
DP	DRAIN-UP MACHINE	LED2	LED (PREPARATION FOR HEATING : ORANGE)
FS	DRAIN FLOAT SWITCH	RU	RECEIVING UNIT
		SW1	EMERGENCY OPERATION (HEAT / DOWN)
		SW2	EMERGENCY OPERATION (COOL / UP)

<Table 2>SW2(CAPACITY CODE)

MODELS	Manufacture/Service
PLA-RP71BA2	1 2 3 4 5 ON/OFF
PLA-RP100BA2	1 2 3 4 5 ON/OFF
PLA-RP125BA2	1 2 3 4 5 ON/OFF

<Table 1>SW1(MODEL SELECTION)

SW1	Manufacture/Service
1 2 3 4 5	ON/OFF

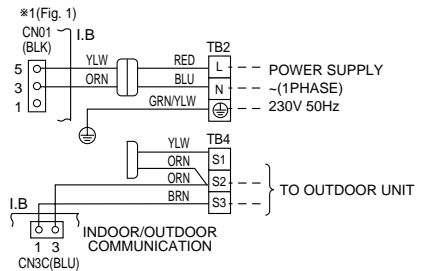


*Be sure to turn off the power source and then disconnect fan motor connector. (Failure to do so will cause trouble in fan motor)

Notes:

- Symbols used in wiring diagram above are,
 [] : Connector, [] : Terminal (block).
- Indoor and outdoor connecting wires have polarities, make sure to match the terminal numbers (S1, S2, S3) for correct wirings.
- Since the outdoor side electric wiring may change, be sure to check the outdoor unit electric wiring for servicing.
- This diagram shows the wiring of indoor and outdoor connecting wires. (specification of 230V), adopting superimposed system of power and signal.
 *1: When work to supply power separately to indoor and outdoor units was applied, refer to Fig. 1.
 *2: For power supply system of this unit, refer to the caution label located near this diagram.

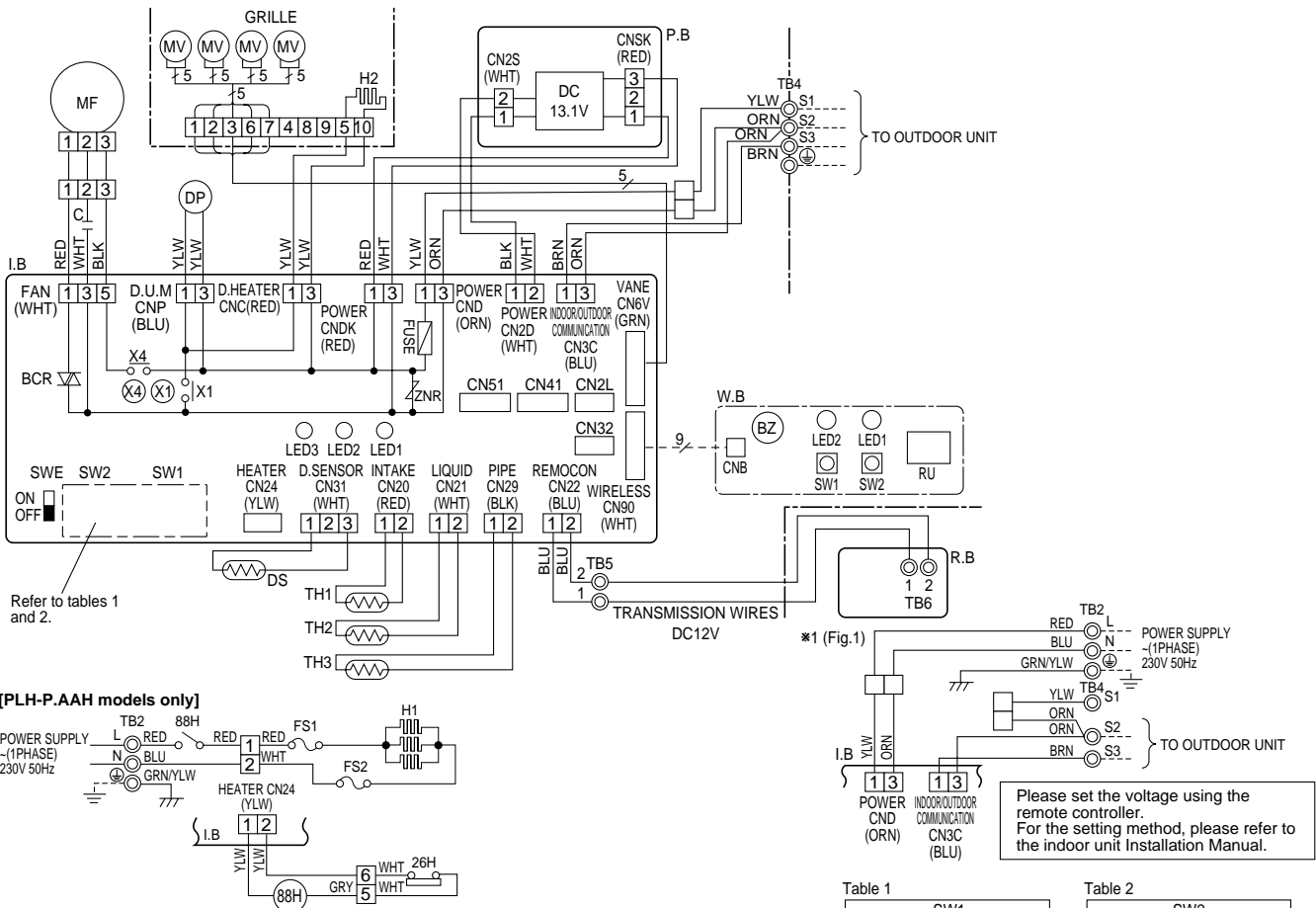
Please set the voltage using the remote controller. For the setting method, please refer to the indoor unit Installation Manual.



PLA-RP35AA PLA-RP50AA PLA-RP60AA PLA-RP71AA

[LEGEND]

SYMBOL	NAME	SYMBOL	NAME	SYMBOL	NAME
P.B	INDOOR POWER BOARD	MF	FAN MOTOR	W.B	WIRELESS REMOTE CONTROLLER BOARD
I.B	INDOOR CONTROLLER BOARD	MV	VANE MOTOR	RU	RECEIVING UNIT
	FUSE	H2	DEW PREVENTION HEATER	BZ	BUZZER
	ZNR	DP	DRAIN-UP MACHINE	LED1	LED(RUN INDICATOR)
	BCR	DS	DRAIN SENSOR	LED2	LED(HOT ADJUST)
	CN2L	TB2	TERMINAL BLOCK (HEATER)*PLH-P.AAH models only or option for PLA-RP.AA models.	SW1	SWITCH(HEATING ON/OFF)
	CN32	TB4	TERMINAL BLOCK (INDOOR/OUTDOOR CONNECTING LINE)	SW2	SWITCH(COOLING ON/OFF)
	CN41	TB5, TB6	TERMINAL BLOCK(REMOTE CONTROLLER TRANSMISSION LINE)	HEATER	
	CN51	TH1	ROOM TEMP.THERMISTOR (0°C/15kΩ, 25°C/5.4kΩ DETECT)	FS1	THERMAL FUSE(72°C, 16A)
	LED1	TH2	PIPE TEMP.THERMISTOR/LIQUID (0°C/15kΩ, 25°C/5.4kΩ DETECT)	FS2	THERMAL FUSE(104°C, 16A)
	LED2	TH3	COND./EVA. TEMP. THERMISTOR (0°C/15kΩ, 25°C/5.4kΩ DETECT)	H1	HEATER
	LED3	TH5		26H	HEATER THERMAL SWITCH
	X1			88H	HEATER CONTACTOR
	X4				
	SW1				
	SW2				
	SWE				
C	CAPACITOR(FAN MOTOR)	R.B	WIRED REMOTE CONTROLLER BOARD		



Notes:

- Symbols used in wiring diagram above are, □: Connector, ⊙: Terminal (block).
- Indoor and outdoor connecting wires have polarities, make sure to match terminal numbers (S1, S2, S3) for correct wirings.
- Since the outdoor side electric wiring may change, be sure to check the outdoor unit electric wiring diagram for servicing.
- This diagram shows the wiring of indoor and outdoor connecting wires (specification of 230V), adopting superimposed system of power and signal.
 - *1: When supplying power separately to indoor and outdoor units, refer to Fig 1.
 - *2: For power supply system of this unit, refer to the caution label located near this diagram.

Table 1

MODELS	SW1				
	Manufacture/Service				
PLA-RP. AA	1	2	3	4	5 ON OFF
PLH-P. AAH	1	2	3	4	5 ON OFF

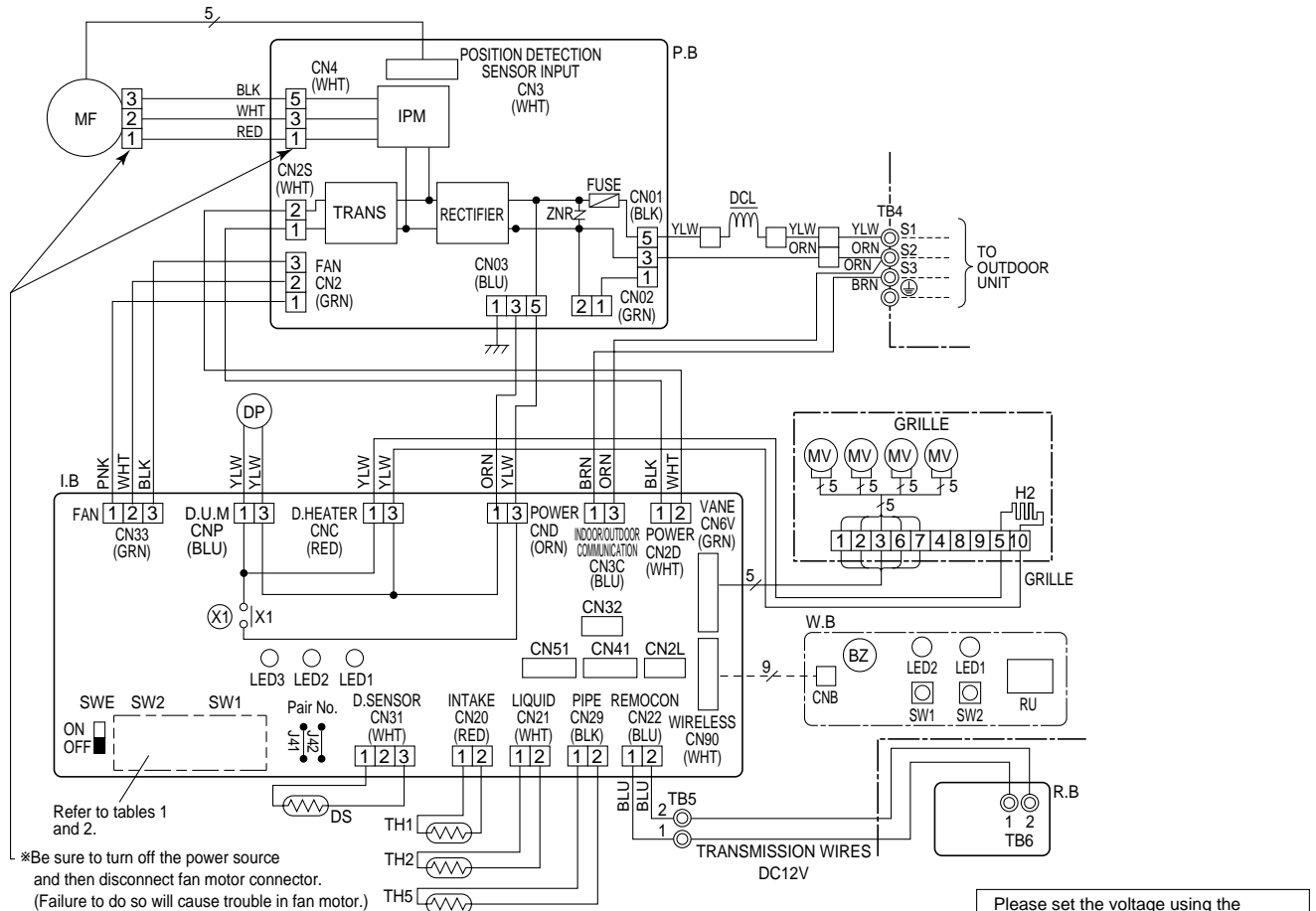
Table 2

MODELS	SW2				
	Manufacture/Service				
PLA-RP35AA PLH-P35AAH	1	2	3	4	5 ON OFF
PLA-RP50AA PLH-P50AAH	1	2	3	4	5 ON OFF
PLA-RP60AA PLH-P60AAH	1	2	3	4	5 ON OFF
PLA-RP71AA PLH-P71AAH	1	2	3	4	5 ON OFF

PLA-RP100AA2 PLA-RP125AA2 PLA-RP140AA2

[LEGEND]

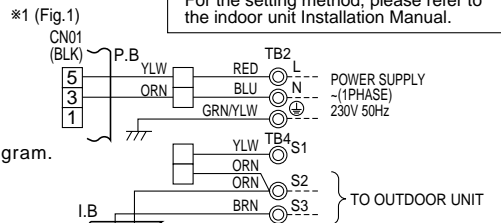
SYMBOL	NAME	SYMBOL	NAME	SYMBOL	NAME
P.B	INDOOR POWER BOARD	MV	VANE MOTOR	W.B	WIRELESS REMOTE CONTROLLER BOARD
	FUSE	H2	DEW PREVENTION HEATER	RU	RECEIVING UNIT
	ZNR	DP	DRAIN-UP MACHINE	BZ	BUZZER
	IPM	DS	DRAIN SENSOR	LED1	LED(RUN INDICATOR)
I.B	INDOOR CONTROLLER BOARD	TB2	TERMINAL BLOCK (Indoor unit Power (option))	LED2	LED(HOT ADJUST)
	CN2L	TB4	TERMINAL BLOCK (INDOOR/OUTDOOR CONNECTING LINE)	SW1	SWITCH(HEATING ON/OFF)
	CN32	TB5, TB6	TERMINAL BLOCK(REMOTE CONTROLLER TRANSMISSION LINE)	SW2	SWITCH(COOLING ON/OFF)
	CN41				
	CN51				
	LED1	DCL	REACTOR		
	LED2	TH1	ROOM TEMP.THERMISTOR (0°C/15kΩ, 25°C/5.4kΩ DETECT)		
	LED3	TH2	PIPE TEMP.THERMISTOR/LIQUID (0°C/15kΩ, 25°C/5.4kΩ DETECT)		
	X1	TH5	COND./EVA. TEMP. THERMISTOR (0°C/15kΩ, 25°C/5.4kΩ DETECT)		
	SW1				
	SW2				
	SWE				
MF	FAN MOTOR	R.B	WIRED REMOTE CONTROLLER BOARD		



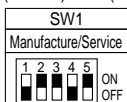
Notes:

- Symbols used in wiring diagram above are, □: Connector, ⊙: Terminal (block).
- Indoor and outdoor connecting wires have polarities, make sure to match terminal numbers (S1, S2, S3) for correct wirings.
- Since the outdoor side electric wiring may change, be sure to check the outdoor unit electric wiring diagram for servicing.
- This diagram shows the wiring of indoor and outdoor connecting wires (specification of 230V), adopting superimposed system of power and signal.
 - *1: When supplying power separately to indoor and outdoor units, refer to Fig 1.
 - *2: For power supply system of this unit, refer to the caution label located near this diagram.

Please set the voltage using the remote controller. For the setting method, please refer to the indoor unit Installation Manual.



(Table 1) SW1 (MODEL SELECTION)



(Table 2) SW2 (CAPACITY CORD)

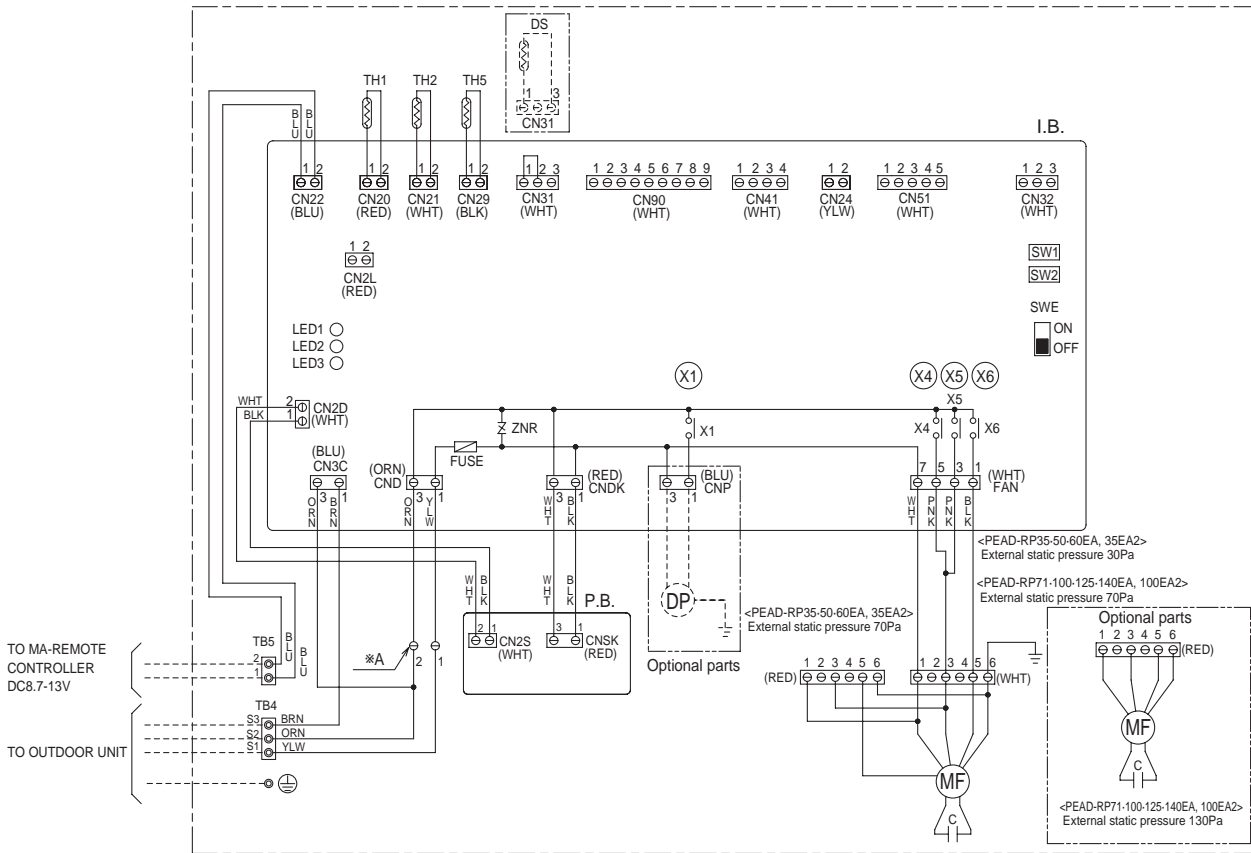
SW2			
MODELS	Manufacturer/Service	MODELS	Manufacturer/Service
PLA-RP100AA2	1 2 3 4 5 ON OFF	PLA-RP140AA2	1 2 3 4 5 ON OFF
PLA-RP125AA2	1 2 3 4 5 ON OFF		

**PEAD-RP35EA2 PEAD-RP50EA PEAD-RP60EA PEAD-RP71EA
PEAD-RP100EA2 PEAD-RP125EA PEAD-RP140EA**

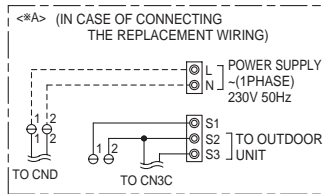
[LEGEND]

SYMBOL	NAME	SYMBOL	NAME	SYMBOL	NAME
I.B.	INDOOR CONTROLLER BOARD	SW2	SWITCH(CAPACITY CORD)	TB4	TERMINAL BLOCK (INDOOR/OUTDOOR CONNECTING LINE)
FUSE	FUSE(T6.3AL250V)	SWE	SWITCH(EMERGENCY OPERATION)	TB5	TERMINAL BLOCK(REMOTE CONTROLLER)
ZNR	VARISTOR	X1	RELAY(DRAIN PUMP)	TH1	INTAKE AIR TEMP. THERMISTOR (0°C /15kΩ, 25°C/5.4kΩ DETECT)
CN2L	CONNECTOR(LOSSNAY)	X4	RELAY(FAN MOTOR)	TH2	PIPE TEMP. THERMISTOR/LIQUID (0°C /15kΩ, 25°C/5.4kΩ DETECT)
CN24	CONNECTOR(HEATER)	X5	RELAY(FAN MOTOR)	TH5	COND./EVA. TEMP. THERMISTOR (0°C /15kΩ, 25°C/5.4kΩ DETECT)
CN32	CONNECTOR(REMOTE SWITCH)	X6	RELAY(FAN MOTOR)		
CN41	CONNECTOR(HA TERMINAL-A)	P.B.	INDOOR POWER BOARD		
CN51	CONNECTOR(CENTRALLY CONTROL)	DRAIN PUMP	(OPTIONAL PARTS)		
CN90	CONNECTOR(WIRELESS)	DP	DRAIN PUMP		
LED1	POWER SUPPLY(I.B.)	DS	DRAIN SENSOR		
LED2	POWER SUPPLY(REMOTE CONTROLLER)	C	CAPACITOR(FAN MOTOR)		
LED3	TRANSMISSION(INDOOR-OUTDOOR)	MF	FAN MOTOR		
SW1	SWITCH(MODEL SELECTION)				

INSIDE SECTION OF CONTROL BOX



MODELS	SW1 Model selection switch	SW2 Capacity cord switch
35EA(2)	1 2 3 4 5 ON OFF	1 2 3 4 5 ON OFF
50EA	1 2 3 4 5 ON OFF	1 2 3 4 5 ON OFF
60EA	1 2 3 4 5 ON OFF	1 2 3 4 5 ON OFF
71EA	1 2 3 4 5 ON OFF	1 2 3 4 5 ON OFF
100EA(2)	1 2 3 4 5 ON OFF	1 2 3 4 5 ON OFF
125EA	1 2 3 4 5 ON OFF	1 2 3 4 5 ON OFF
140EA	1 2 3 4 5 ON OFF	1 2 3 4 5 ON OFF



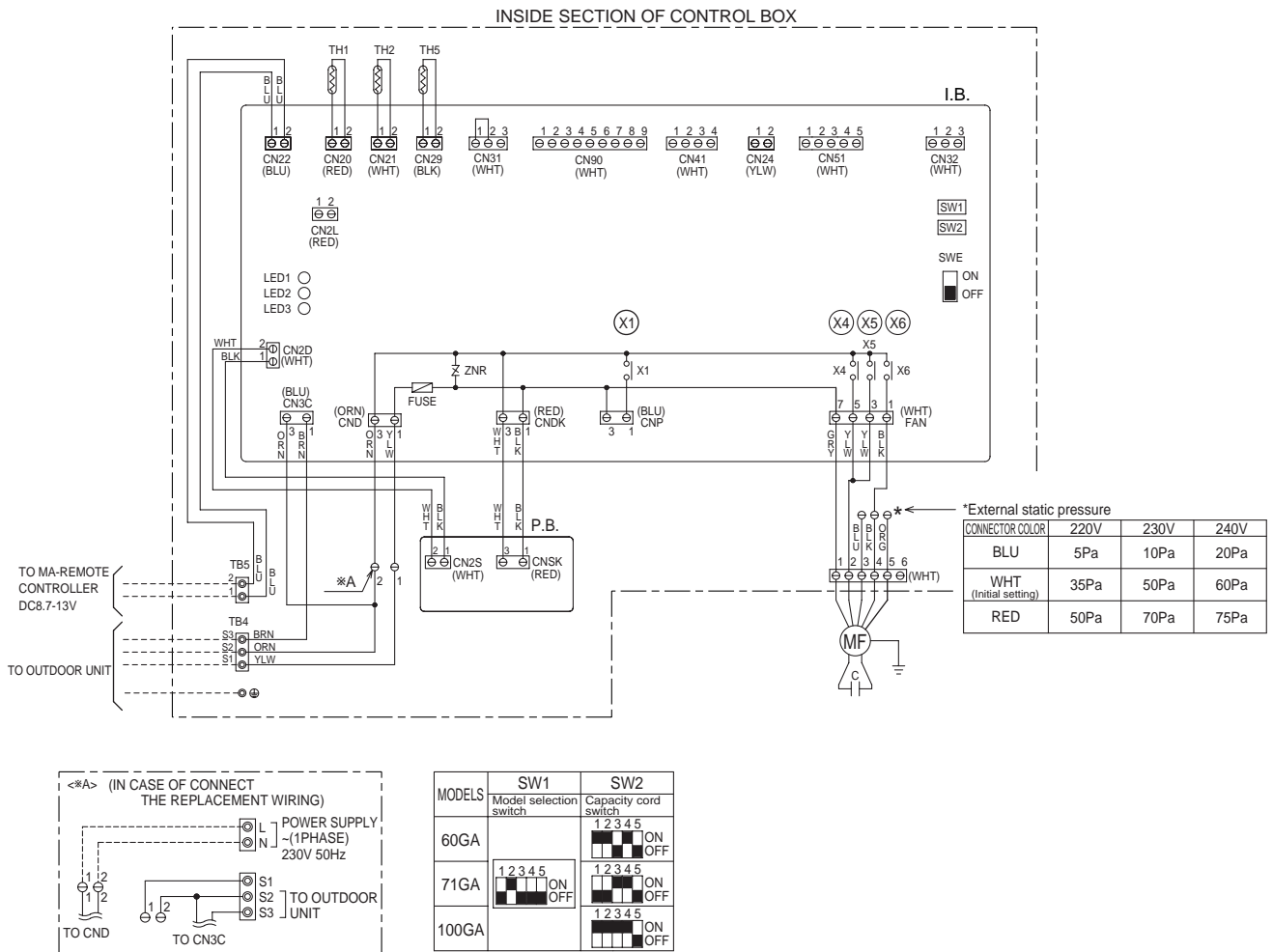
Notes:

1. Symbols used in wiring diagram above are, (): Connector, (): Terminal (block).
2. Indoor and outdoor connecting wires have polarities, make sure to match terminal numbers (S1, S2, S3) for correct wirings.
3. Since the outdoor side electric wiring may change, be sure to check the outdoor unit electric wiring diagram for servicing.
4. This diagram shows the wiring of indoor and outdoor connecting wires (specification of 230V), adopting superimposed system of power and signal.
*1: When supplying power separately to indoor and outdoor units, refer to *A.
*2: For power supply system of this unit, refer to the caution label located near this diagram.

PEAD-RP60GA PEAD-RP71GA PEAD-RP100GA

[LEGEND]

SYMBOL	NAME	SYMBOL	NAME	SYMBOL	NAME
I.B.	INDOOR CONTROLLER BOARD	SW1	SWITCH(MODEL SELECTION)	TB5	TERMINAL BLOCK(REMOTE CONTROLLER)
FUSE	FUSE(T6.3AL250V)	SW2	SWITCH(CAPACITY CORD)	TH1	INTAKE AIR TEMP.THERMISTOR (0°C /15kΩ, 25°C/5.4kΩ DETECT)
ZNR	VARISTOR	SWE	SWITCH(EMERGENCY OPERATION)	TH2	PIPE TEMP. THERMISTOR/LIQUID (0°C /15kΩ, 25°C/5.4kΩ DETECT)
CN2L	CONNECTOR(LOSSNAY)	X1	RELAY(DRAIN PUMP)	TH5	COND./EVA. TEMP. THERMISTOR (0°C /15kΩ, 25°C/5.4kΩ DETECT)
CN24	CONNECTOR(HEATER)	X4	RELAY(FAN MOTOR)		
CN32	CONNECTOR(REMOTE SWITCH)	X5	RELAY(FAN MOTOR)		
CN41	CONNECTOR(HA TERMINAL-A)	X6	RELAY(FAN MOTOR)		
CN51	CONNECTOR(CENTRALLY CONTROL)	P.B.	INDOOR POWER BOARD		
CN90	CONNECTOR(WIRELESS)	C	CAPACITOR(FAN MOTOR)		
LED1	POWER SUPPLY(I.B.)	MF	FAN MOTOR		
LED2	POWER SUPPLY(REMOTE CONTROLLER)	TB4	TERMINAL BLOCK (INDOOR/OUTDOOR CONNECTING LINE)		
LED3	TRANSMISSION(INDOOR-OUTDOOR)				



Notes:

- Symbols used in wiring diagram above are, : Connector, : Terminal (block).
- Indoor and outdoor connecting wires have polarities, make sure to match terminal numbers (S1, S2, S3) for correct wirings.
- Since the outdoor side electric wiring may change, be sure to check the outdoor unit electric wiring diagram for servicing.
- This diagram shows the wiring of indoor and outdoor connecting wires (specification of 230V), adopting superimposed system of power and signal.
 - *1: When supplying power separately to indoor and outdoor units, refer to *A.
 - *2: For power supply system of this unit, refer to the caution label located near this diagram.

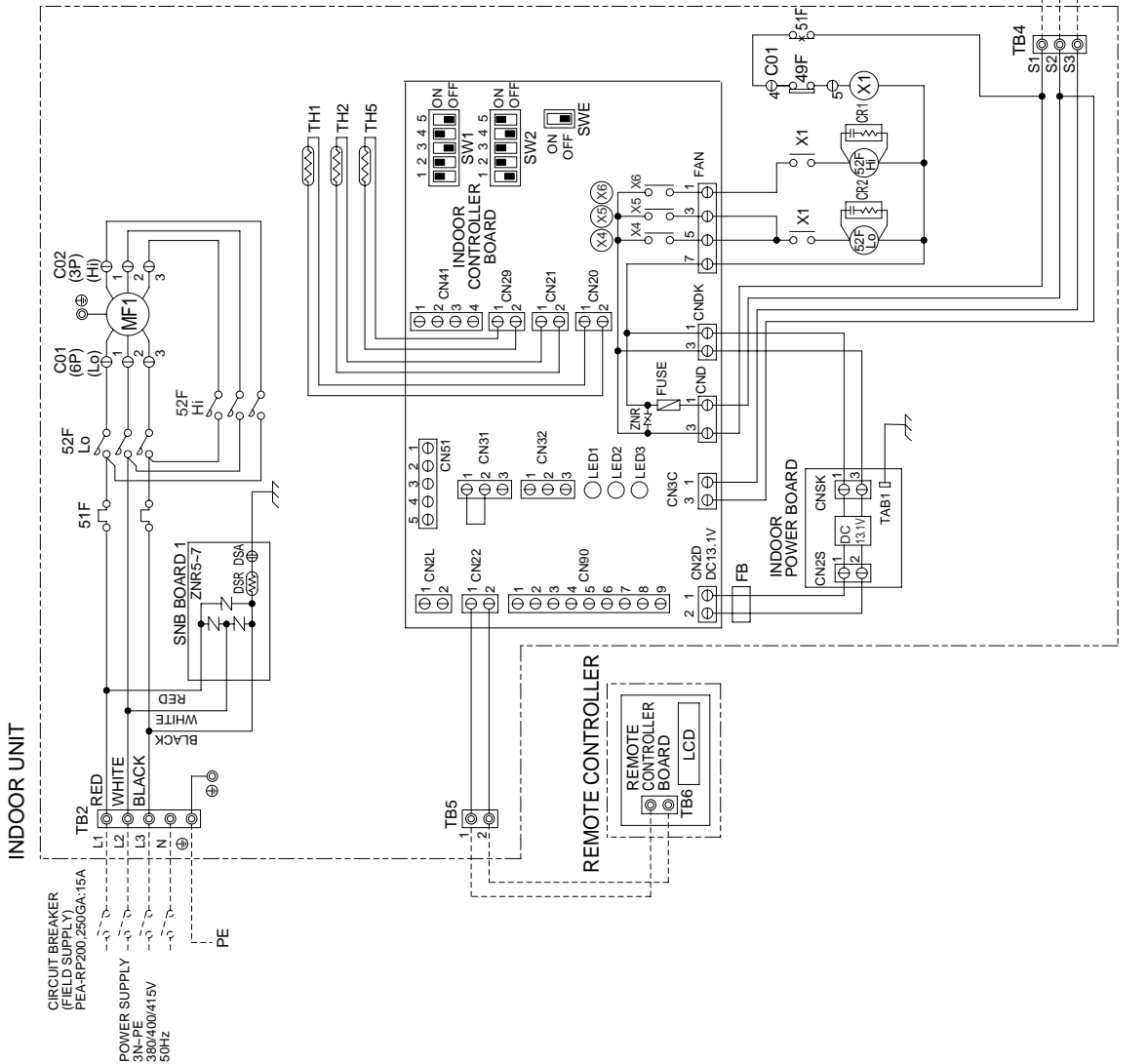
PEA-RP200, 250GA

INDOOR UNIT SYMBOL	NAME
MF1	FAN MOTOR (INDOOR)
51F	OVER CURRENT RELAY (INDOOR FAN MOTOR)
52FLo	MAGNETIC CONTACTOR (INDOOR FAN MOTOR<LOW SPEED>)
52FHi	MAGNETIC CONTACTOR (INDOOR FAN MOTOR<HIGH SPEED>)
49F	INTERNAL THERMOSTAT (INDOOR FAN MOTOR)
TB2,4,5	TERMINAL BLOCK
TH1	ROOM TEMP.
TH2	LIQUID PIPE TEMP.
TH5	COND./EVA. TEMP.
X1	AUXILIARY RELAY
CR1,2	SURGE KILLER
FB	FERRITE CORE
FUSE	FUSE (T6.3AL250V)
ZNR	VARISTOR
X4-6	AUXILIARY RELAY
SW1	SWITCH (MODEL SELECTION)
SW2	SWITCH (CAPACITY CODE)
SWE	CONNECTOR (EMERGENCY OPERATION)
LED1	LED (POWER SUPPLY)
LED2	LED (POWER SUPPLY<REMOTE CONTROLLER>)
LED3	LED (TRANSMISSION<INDOOR-OUTDOOR>)
CN2L	CONNECTOR (LOSSNAY)
CN3	CONNECTOR (DRAIN SENSOR)
CN32	CONNECTOR (REMOTE SWITCH)
CN4	CONNECTOR (HA TERMINAL-A)
CN51	CONNECTOR (CENTRALLY CONTROL)
CN90	CONNECTOR (WIRELESS REMOTE CONTROLLER)
ZNR5-7	VARISTOR
BOARD 1	ARRESTER

REMOTE CONTROLLER SYMBOL	NAME
TB6	TERMINAL BLOCK

- Note:1. The dotted lines show field wiring.
 2. Color of earth wire is yellow and green twisting.
 3. Specification subject to change without notice.
 4. Indoor and outdoor connecting wires have polarities, make sure to match wiring and terminal.
 5. Emergency operation
 If a trouble occurs with either the remote controller or the indoor microcomputer and no other trouble exists, emergency operation for cooling or heating can be performed by changing the setting of connector (SWE) "ON" on the indoor controller board.
 SWE :ON / Indoor fan is running at high speed.
 SWE :⊖ mark is connector. ⊕ mark is terminal.

Caution,
 1. To protect fan motor from abnormal current, overcurrent relays are installed. Therefore, do not change factory set value of overcurrent relays.



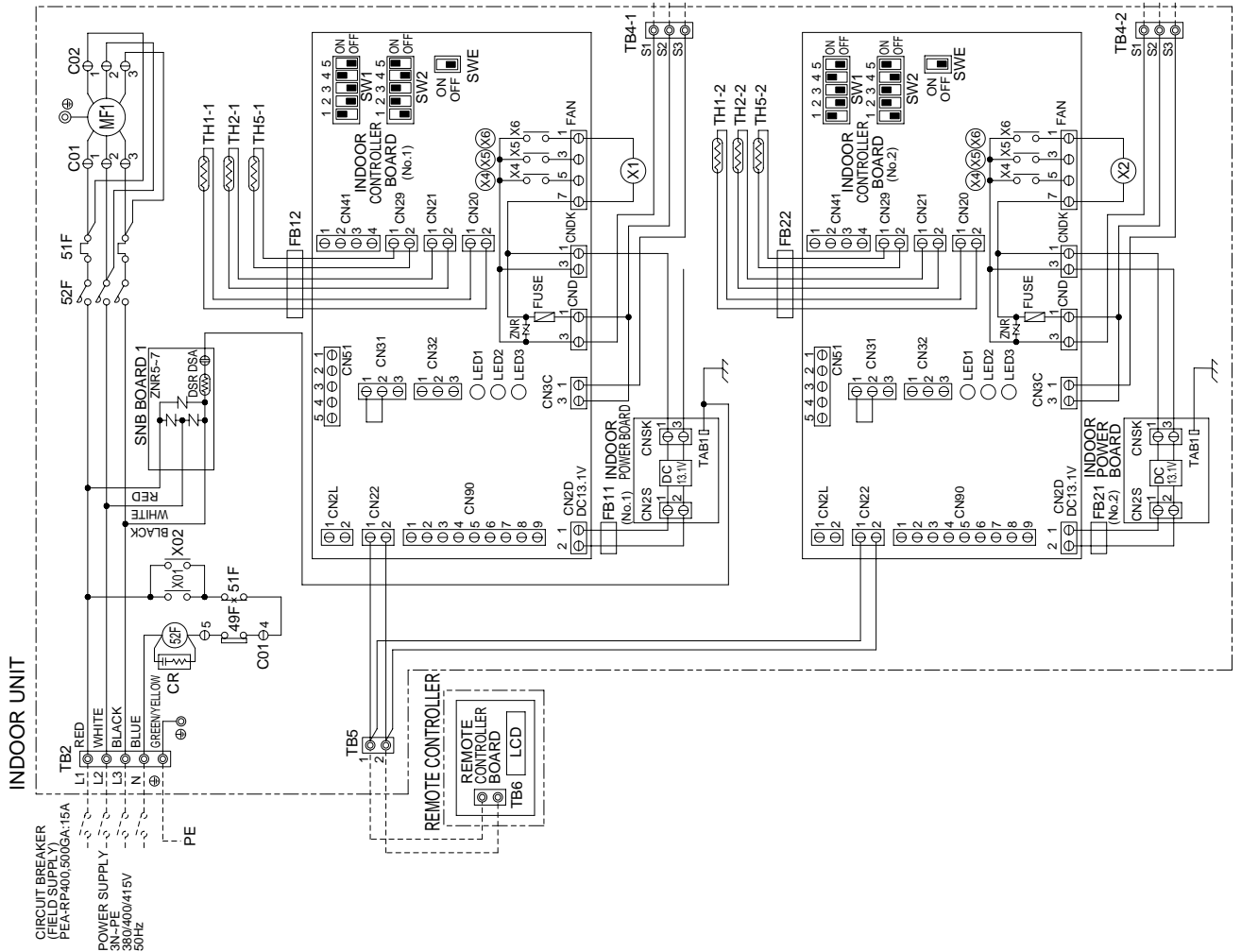
PEA-RP400, 500GA

SYMBOL	NAME
MF1	FAN MOTOR (INDOOR)
51F	OVER CURRENT RELAY (INDOOR FAN MOTOR)
52F	MAGNETIC CONTACTOR (INDOOR FAN MOTOR)
49F	INTERNAL THERMOSTAT (INDOOR FAN MOTOR)
TB2, 4-1, 4-2, 5	TERMINAL BLOCK
TH1-1, 1-2	ROOM TEMP
TH2-1, 2-2	LIQUID PIPE TEMP.
TH5-1, 5-2	COND./EVA. TEMP.
X1, 2	AUXILIARY RELAY
CR	SURGE KILLER
FB11, FB12	FERRITE CORE
FB21, FB22	FUSE (T6.3AL250V)
ZNR	VARIABLE
X4-6	AUXILIARY RELAY
SW1	SWITCH (MODEL SELECTION)
SW2	SWITCH (CAPACITY CORD)
SWE	CONNECTOR (EMERGENCY OPERATION)
LED1	LED (POWER SUPPLY)
LED2	LED (POWER SUPPLY-REMOTE CONTROLLER-)
LED3	LED (TRANSMISSION-INDOOR-OUTDOOR-)
CN2L	CONNECTOR (LOSS/NA)
CN31	CONNECTOR (DRAIN SENSOR)
CN32	CONNECTOR (REMOTE SWITCH)
CN41	CONNECTOR (HA TERMINAL-A)
CN51	CONNECTOR (CENTRALLY CONTROL)
CN90	CONNECTOR (WIRELESS REMOTE CONTROLLER)
ZNR5-7	VARIABLE
DSA, DSR	ARRESTER

SYMBOL	NAME
TB3, TB8	TERMINAL BLOCK

SYMBOL	NAME
TB6	TERMINAL BLOCK

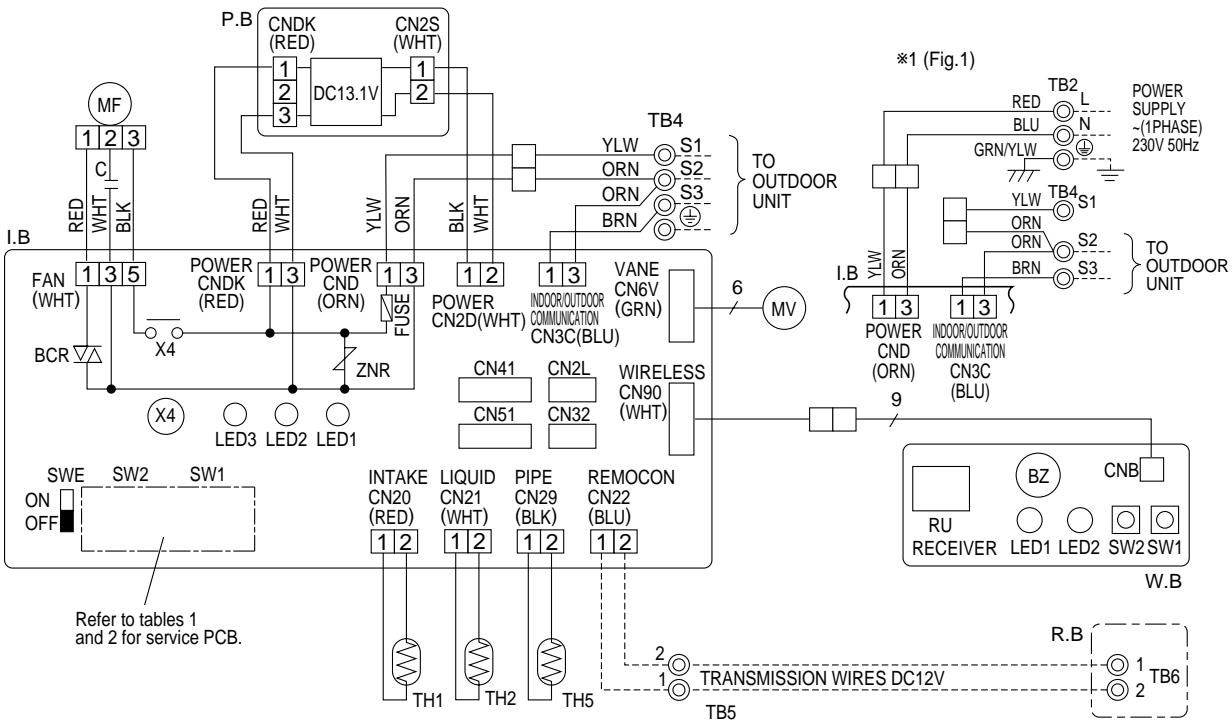
- Note: 1. The dotted lines show field wiring.
 2. Color of earth wire is yellow and green twisting.
 3. Specification subject to change without notice.
 4. Indoor and outdoor connecting wires have polarities, make sure to match wiring and terminal.
 5. Emergency operation
 If a trouble occurs with either the remote controller or the indoor microcomputer and no other trouble exists, emergency operation for cooling or heating can be performed by changing the setting of connector (SWE) 'ON' on the indoor controller board.
 SWE : ON / Indoor fan is running at high speed.
 6. ⊕mark is connector, ⊗mark is terminal.



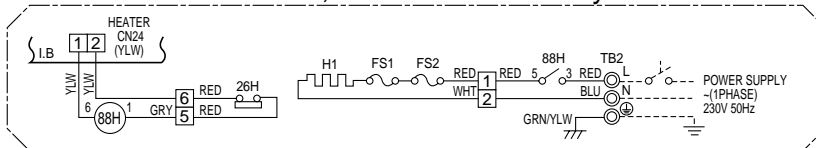
PKA-RP35GAL PKA-RP50GAL

[LEGEND]

SYMBOL	NAME	SYMBOL	NAME	SYMBOL	NAME
P.B	INDOOR POWER BOARD	C	CAPACITOR <FAN MOTOR>	W.B	WIRELESS REMOTE CONTROLLER BOARD
I.B	INDOOR CONTROLLER BOARD	MF	FAN MOTOR	RU	RECEIVING UNIT
FUSE	FUSE (T6.3AL250V)	MV	VANE MOTOR	BZ	BUZZER
ZNR	VARISTOR	TB2	TERMINAL BLOCK (HEATER) *PKH-P.GALH models only or option for PKA-RP.GAL models.	LED1	LED <RUN INDICATOR>
CN2L	CONNECTOR <LOSSNAY>	TB4	TERMINAL BLOCK <INDOOR/ OUTDOOR CONNECTING LINE>	LED2	LED <HOT ADJUST>
CN32	CONNECTOR <REMOTE SWITCH>	TB5, TB6	TERMINAL BLOCK <REMOTE CONTROLLER TRANSMISSION LINE> <OPTION>	SW1	SWITCH (HEATING ON/ OFF)
CN41	CONNECTOR <HA TERMINAL-A>	TH1	ROOM TEMP.THERMISTOR <0°C/ 15kΩ, 25°C/ 5.4kΩ DETECT>	SW2	SWITCH (COOLING ON/ OFF)
CN51	CONNECTOR <CENTRALLY CONTROL>	TH2	PIPE TEMP.THERMISTOR/ LIQUID <0°C/ 15kΩ, 25°C/ 5.4kΩ DETECT>	R.B	WIRED REMOTE CONTROLLER BOARD
SW1	SWITCH <MODEL SELECTION>*See Table 1.	TH5	COND./EVA.TEMP.THERMISTOR <0°C/ 15kΩ, 25°C/ 5.4kΩ DETECT>	HEATER	
SW2	SWITCH <CAPACITY CODE>*See Table 2.			FS1	THERMAL FUSE <104°C 10A>
SWE	SWITCH <EMERGENCY OPERATION>			FS2	THERMAL FUSE <84°C 10A>
X4	RELAY <FAN MOTOR>			H1	HEATER
BCR	FAN CONTROL ELEMENT			26H	HEATER THERMAL SWITCH
LED1	POWER SUPPLY <L.B>			88H	HEATER CONTACTOR
LED2	POWER SUPPLY <R.B>				
LED3	TRANSMISSION <INDOOR-OUTDOOR>				



PKH-P35,50GALH models only



Please set the voltage using the remote controller. For the setting method, please refer to the indoor unit Installation Manual.

SW1				
Service board				
1	2	3	4	5
ON	OFF	ON	OFF	ON

SW2													
MODELS		Service board					MODELS		Service board				
PKA-RP35GAL	PKH-P35GALH	1	2	3	4	5	PKA-RP50GAL	PKH-P50GALH	1	2	3	4	5
		ON	OFF	ON	OFF	ON			ON	OFF	ON	OFF	ON

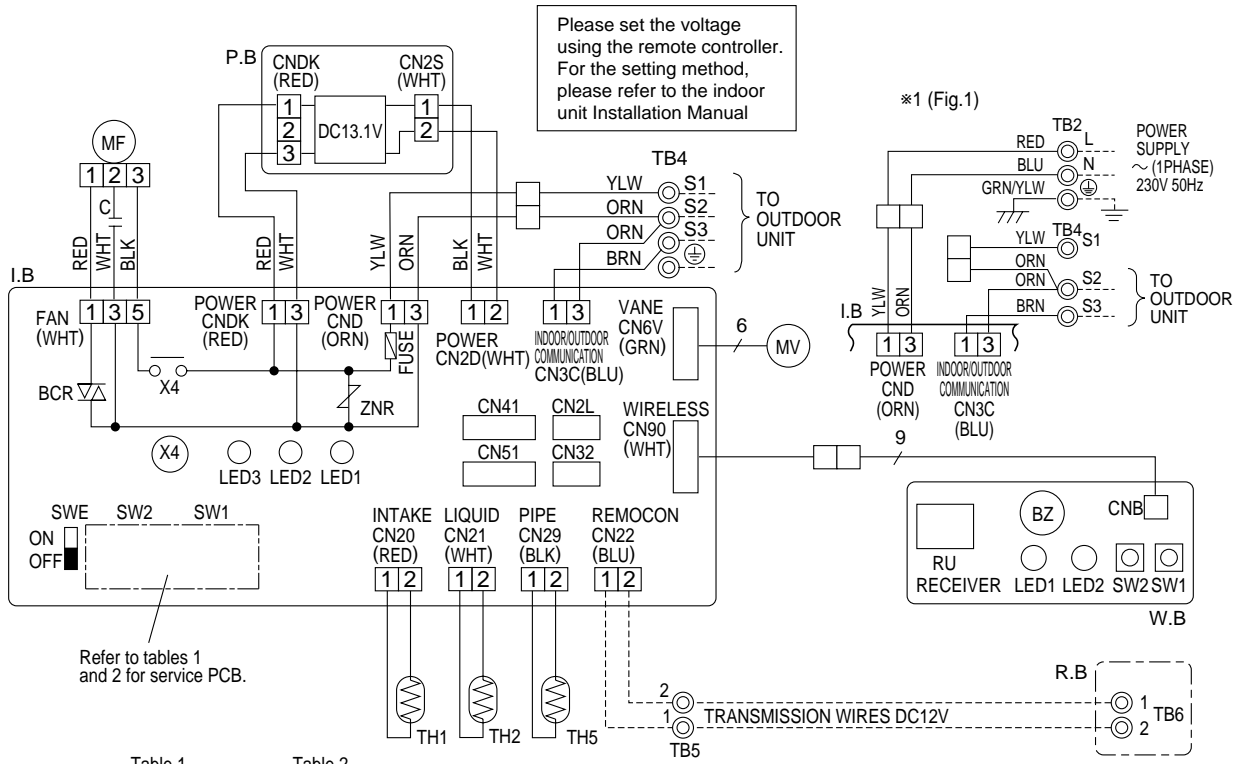
Notes:

1. Symbols used in wiring diagram above are, □: Connector, ⊙: Terminal (block).
2. Indoor and outdoor connecting wires have polarities, make sure to match terminal numbers (S1, S2, S3) for correct wirings.
3. Since the outdoor side electric wiring may change, be sure to check the outdoor unit electric wiring diagram for servicing.
4. This diagram shows the wiring of indoor and outdoor connecting wires (specification of 230V), adopting superimposed system of power and signal.
 - *1: When supplying power separately to indoor and outdoor units, refer to Fig 1.
 - *2: For power supply system of this unit, refer to the caution label located near this diagram.

PKA-RP50FAL2 PKA-RP60FAL PKA-RP71FAL PKA-RP100FAL

(LEGEND)

SYMBOL	NAME	SYMBOL	NAME	SYMBOL	NAME
P.B	INDOOR POWER BOARD	C	CAPACITOR(FAN MOTOR)	W.B	WIRELESS REMOTE CONTROLLER BOARD
I.B	INDOOR CONTROLLER BOARD	MF	FAN MOTOR	RU	RECEIVING UNIT
FUSE	FUSE(T6.3AL250V)	MV	VANE MOTOR	BZ	BUZZER
ZNR	VARIATOR	TB2	TERMINAL BLOCK (HEATER) *PKH-P.FALH models only or option for PKA-RP.FAL models.	LED1	LED(RUN INDICATOR)
CN2L	CONNECTOR(LOSSNAY)	TB4	TERMINAL BLOCK(INDOOR/OUTDOOR CONNECTING LINE)	LED2	LED(HOT ADJUST)
CN32	CONNECTOR(REMOTE SWITCH)	TB5	TERMINAL BLOCK(REMOTE CONTROLLER TRANSMISSION LINE)(OPTION)	SW1	SWITCH(HEATING ON/OFF)
CN41	CONNECTOR(HA TERMINAL-A)	TH1	ROOM TEMP.THERMISTOR (0°C/15kΩ, 25°C/5.4kΩ DETECT)	SW2	SWITCH(COOLING ON/OFF)
CN51	CONNECTOR(CENTRALLY CONTROL)	TH2	PIPE TEMP.THERMISTOR/LIQUID (0°C/15kΩ, 25°C/5.4kΩ DETECT)	R.B	WIRED REMOTE CONTROLLER BOARD(OPTION)
SW1	SWITCH (MODEL SELECTION) * See Table 1.	TH5	COND./EVA.TEMP.THERMISTOR (0°C/15kΩ, 25°C/5.4kΩ DETECT)	TB6	TERMINAL BLOCK(REMOTE CONTROLLER TRANSMISSION LINE)
SW2	SWITCH (CAPACITY CODE) * See Table 2.			HEATER	
SWE	SWITCH(EMERGENCY OPERATION)			FS1,2	THERMAL FUSE(117°C 10A:60,71FALH/ 117°C 16A:100FALH)
X4	RELAY(FAN MOTOR)			H1	HEATER
BCR	FAN CONTROL ELEMENT			26H	HEATER THERMAL SWITCH
LED1	POWER SUPPLY(I.B)			88H	HEATER CONTACTOR
LED2	POWER SUPPLY(R.B)				
LED3	TRANSMISSION(INDOOR-OUTDOOR)				



Refer to tables 1 and 2 for service PCB.

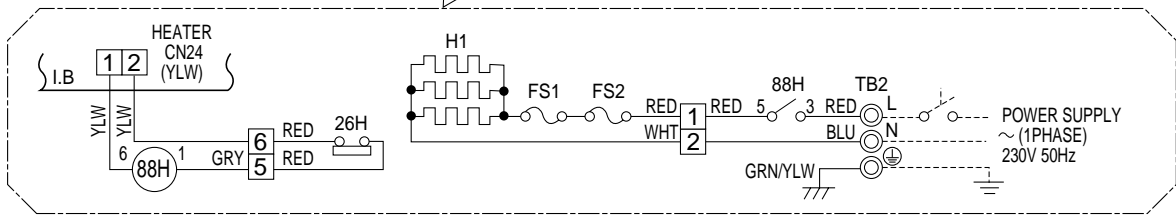
Table 1

SW1										
Service board										
<table border="1"> <tr> <td>1</td><td>2</td><td>3</td><td>4</td><td>5</td> </tr> <tr> <td>ON</td><td>OFF</td><td>OFF</td><td>OFF</td><td>OFF</td> </tr> </table>	1	2	3	4	5	ON	OFF	OFF	OFF	OFF
1	2	3	4	5						
ON	OFF	OFF	OFF	OFF						

Table 2

SW2																																			
MODELS	Service board	MODELS	Service board	MODELS	Service board																														
PKA-RP50FAL2	<table border="1"> <tr> <td>1</td><td>2</td><td>3</td><td>4</td><td>5</td> </tr> <tr> <td>ON</td><td>OFF</td><td>OFF</td><td>OFF</td><td>OFF</td> </tr> </table>	1	2	3	4	5	ON	OFF	OFF	OFF	OFF	PKA-RP71FAL	<table border="1"> <tr> <td>1</td><td>2</td><td>3</td><td>4</td><td>5</td> </tr> <tr> <td>ON</td><td>OFF</td><td>OFF</td><td>OFF</td><td>OFF</td> </tr> </table>	1	2	3	4	5	ON	OFF	OFF	OFF	OFF	PKA-RP100FAL	<table border="1"> <tr> <td>1</td><td>2</td><td>3</td><td>4</td><td>5</td> </tr> <tr> <td>ON</td><td>OFF</td><td>OFF</td><td>OFF</td><td>OFF</td> </tr> </table>	1	2	3	4	5	ON	OFF	OFF	OFF	OFF
1	2	3	4	5																															
ON	OFF	OFF	OFF	OFF																															
1	2	3	4	5																															
ON	OFF	OFF	OFF	OFF																															
1	2	3	4	5																															
ON	OFF	OFF	OFF	OFF																															
PKA-RP60FAL	<table border="1"> <tr> <td>1</td><td>2</td><td>3</td><td>4</td><td>5</td> </tr> <tr> <td>ON</td><td>OFF</td><td>OFF</td><td>OFF</td><td>OFF</td> </tr> </table>	1	2	3	4	5	ON	OFF	OFF	OFF	OFF	PKH-P71FALH	<table border="1"> <tr> <td>1</td><td>2</td><td>3</td><td>4</td><td>5</td> </tr> <tr> <td>ON</td><td>OFF</td><td>OFF</td><td>OFF</td><td>OFF</td> </tr> </table>	1	2	3	4	5	ON	OFF	OFF	OFF	OFF	PKH-P100FALH	<table border="1"> <tr> <td>1</td><td>2</td><td>3</td><td>4</td><td>5</td> </tr> <tr> <td>ON</td><td>OFF</td><td>OFF</td><td>OFF</td><td>OFF</td> </tr> </table>	1	2	3	4	5	ON	OFF	OFF	OFF	OFF
1	2	3	4	5																															
ON	OFF	OFF	OFF	OFF																															
1	2	3	4	5																															
ON	OFF	OFF	OFF	OFF																															
1	2	3	4	5																															
ON	OFF	OFF	OFF	OFF																															
PKH-P60FALH	<table border="1"> <tr> <td>1</td><td>2</td><td>3</td><td>4</td><td>5</td> </tr> <tr> <td>ON</td><td>OFF</td><td>OFF</td><td>OFF</td><td>OFF</td> </tr> </table>	1	2	3	4	5	ON	OFF	OFF	OFF	OFF																								
1	2	3	4	5																															
ON	OFF	OFF	OFF	OFF																															

PKH-P60 ~ P100FALH models only



- Notes:**
- Symbols used in wiring diagram above are, □: Connector, ⊙: Terminal (block).
 - Indoor and outdoor connecting wires have polarities, make sure to match terminal numbers (S1, S2, S3) for correct wirings.
 - Since the outdoor side electric wiring may change, be sure to check the outdoor unit electric wiring diagram for servicing.
 - This diagram shows the wiring of indoor and outdoor connecting wires (specification of 230V), adopting superimposed system of power and signal.
 - *1: When supplying power separately to indoor and outdoor units, refer to Fig 1.
 - *2: For power supply system of this unit, refer to the caution label located near this diagram.

**PCA-RP50GA PCA-RP50GA2 PCA-RP60GA
PCA-RP100GA PCA-RP125GA PCA-RP140GA**

PCA-RP71GA

(LEGEND)

SYMBOL	NAME	SYMBOL	NAME	SYMBOL	NAME
P.B	INDOOR POWER BOARD	MF	FAN MOTOR	W.B	WIRELESS REMOTE CONTROLLER BOARD(OPTION)
I.B	INDOOR CONTROLLER BOARD	MV	VANE MOTOR	RU	RECEIVING UNIT
FUSE	FUSE (T6.3A/250V)	DP	DRAIN-UP MACHINE (OPTION)	BZ	BUZZER
ZNR	VARIATOR	DS	DRAIN SENSOR (OPTION)	LED1	LED(RUN INDICATOR)
CN2L	CONNECTOR(LOSSNAY)	TB2	TERMINAL BLOCK (HEATER) *PCH-P.GAH models only or option for PCA RP.GA models.	LED2	LED(HOT ADJUST)
CN32	CONNECTOR(REMOTE SWITCH)	TB4	TERMINAL BLOCK(INDOOR/OUTDOOR CONNECTING LINE)	SW1	SWITCH(HEATING ON/OFF)
CN41	CONNECTOR(HA TERMINAL-A)	TB5,TB6	TERMINAL BLOCK(REMOTE CONTROLLER TRANSMISSION LINE)	SW2	SWITCH(COOLING ON/OFF)
CN51	CONNECTOR(CENTRALLY CONTROL)	TH1	ROOM TEMP.THERMISTOR (0°C/15kΩ, 25°C/5.4kΩ DETECT)	HEATER	
SW1	SWITCH (MODEL SELECTION) *See Table 1.	TH2	PIPE TEMP.THERMISTOR/LIQUID (0°C/15kΩ, 25°C/5.4kΩ DETECT)	FS1,2	THERMAL FUSE(98°C:10A:50GAH/117°C:16A:100GAH 110°C:16A:60,71,125,140GAH)
SW2	SWITCH (CAPACITY CODE) *See Table 2.	TH5	COND./EVA.TEMP.THERMISTOR (0°C/15kΩ, 25°C/5.4kΩ DETECT)	H1	HEATER
SWE	SWITCH(EMERGENCY OPERATION)	R.B	WIRED REMOTE CONTROLLER BOARD	26H	HEATER THERMAL SWITCH
X1	RELAY(DRAIN PUMP)			88H	HEATER CONTACTOR
X4	RELAY(FAN MOTOR)				
BCR	FAN CONTROL ELEMENT				
LED1	POWER SUPPLY(I.B)				
LED2	POWER SUPPLY(R.B)				
LED3	TRANSMISSION(INDOOR-OUTDOOR)				
C	CAPACITOR(FAN MOTOR)				

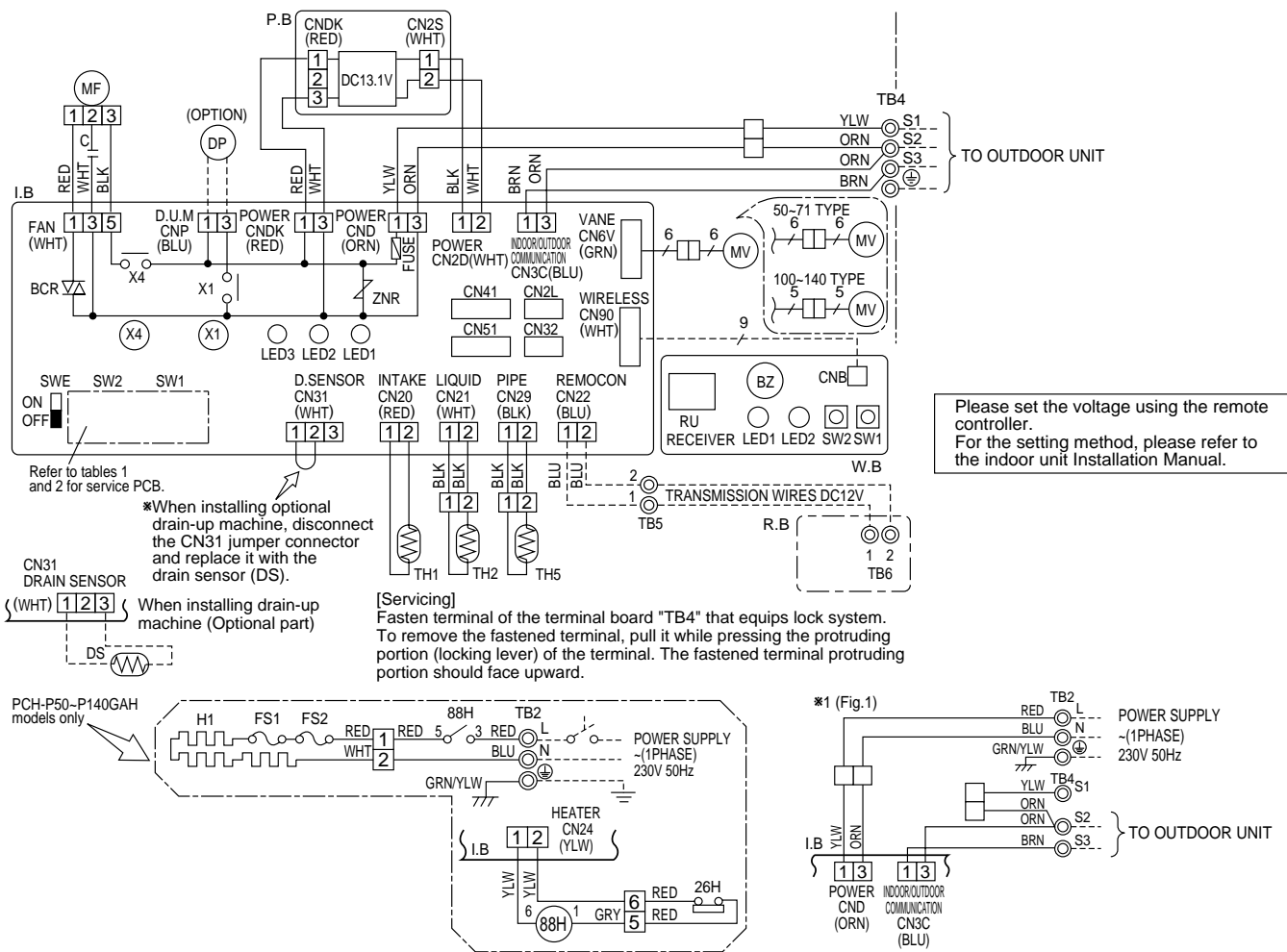


Table 1

MODELS	Service board
PCA-RP.GA PCH-P.GAH	

Table 2

MODELS	Service board	MODELS	Service board
PCA-RP50GA PCH-P50GAH		PCA-RP100GA PCH-P100GAH	
PCA-RP50GA2 PCA-RP60GA PCH-P60GAH		PCA-RP125GA PCH-P125GAH	
PCA-RP71GA PCH-P71GAH		PCA-RP140GA PCH-P140GAH	

Notes:

- Symbols used in wiring diagram above are, □: Connector, ⊙: Terminal (block).
- Indoor and outdoor connecting wires have polarities, make sure to match terminal numbers (S1, S2, S3) for correct wirings.
- Since the outdoor side electric wiring may change, be sure to check the outdoor unit electric wiring diagram for servicing.
- This diagram shows the wiring of indoor and outdoor connecting wires (specification of 230V), adopting superimposed system of power and signal.
 - *1: When supplying power separately to indoor and outdoor units, refer to Fig 1.
 - *2: For power supply system of this unit, refer to the caution label located near this diagram.

PCA-RP71HA PCA-RP125HA

[LEGEND]

SYMBOL	NAME	SYMBOL	NAME
P. B	INDOOR POWER BOARD	MF1, MF2	FAN MOTOR
I. B	INDOOR CONTROLLER BOARD	C1, C2	CAPACITOR(FAN MOTOR)
	FUSE	H2	DEW PREVENTION HEATER
	ZNR	TB2	TERMINAL BLOCK(INDOOR UNIT POWER (OPTION))
	CN2L	TB4	TERMINAL BLOCK(INDOOR/OUTDOOR CONNECTING LINE)
	CN32	TB5, TB6	TERMINAL BLOCK(REMOTE CONTROLLER TRANSMISSION LINE)
	CN41		
	CN51		
	LED1		
	LED2	TH1	ROOM TEMP.THERMISTOR (0°C/15kΩ, 25°C/5.4kΩ DETECT)
	LED3	TH2	PIPE TEMP.THERMISTOR/LIQUID (0°C/15kΩ, 25°C/5.4kΩ DETECT)
	X1	TH5	COND./ EVA.TEMP.THERMISTOR (0°C/15kΩ, 25°C/5.4kΩ DETECT)
	X4		
	X5		
	X6		
	SW1	R. B	WIRED REMOTE CONTROLLER BOARD
	SW2		
	SWE		

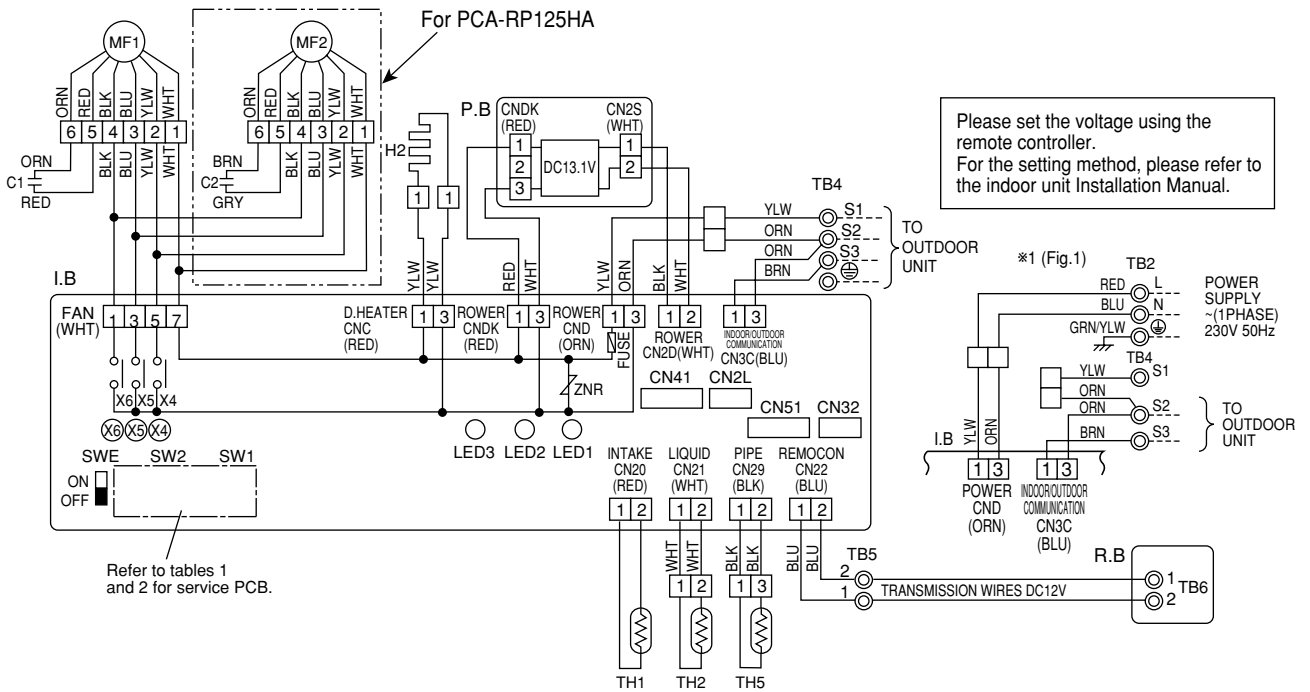


Table 1

SW1				
Service board				
1	2	3	4	5
ON	OFF	ON	OFF	ON

Table 2

SW2											
MODELS					MODELS						
Service board					Service board						
PCA-RP71HA	1	2	3	4	5	PCA-RP125HA	1	2	3	4	5
	ON	OFF	ON	OFF	ON		ON	OFF	ON	OFF	ON

Notes:

1. Symbols used in wiring diagram above are, □: Connector, ⊙: Terminal (block).
2. Indoor and outdoor connecting wires have polarities, make sure to match terminal numbers (S1, S2, S3) for correct wirings.
3. Since the outdoor side electric wiring may change, be sure to check the outdoor unit electric wiring diagram for servicing.
4. This diagram shows the wiring of indoor and outdoor connecting wires (specification of 230V), adopting superimposed system of power and signal.

*1: When supplying power separately to indoor and outdoor units, refer to Fig 1.

*2: For power supply system of this unit, refer to the caution label located near this diagram.

PSA-RP71GA PSA-RP100GA PSA-RP125GA PSA-RP140GA

[LEGEND]

SYMBOL	NAME	SYMBOL	NAME	SYMBOL	NAME
P.B	INDOOR POWER BOARD	I.B	INDOOR CONTROLLER BOARD	C	CAPACITOR (FAN MOTOR)
FUSE	FUSE (T6.3AL250V)	SW1	SWITCH (MODEL SELECTION) ※See Table 1.	MF	FAN MOTOR
ZNR	VARIATOR	SW2	SWITCH (CAPACITY CODE) ※See Table 2.	ML	LOUVER MOTOR
CN2L	CONNECTOR (LOSSNAY)	SWE	SWITCH (EMERGENCY OPERATION)	TB2	TERMINAL BLOCK (HEATER) ※PSH-P.GAH models only or option for PSA-RP.GA models.
CN32	CONNECTOR (REMOTE SWITCH)	X2	RELAY (LOUVER)	TB4	TERMINAL BLOCK (INDOOR/OUTDOOR CONNECTING LINE)
CN41	CONNECTOR (HA TERMINAL-A)	X4	RELAY (FAN MOTOR)		
CN51	CONNECTOR (CENTRALLY CONTROL)	X5	RELAY (FAN MOTOR)		
LED1	POWER SUPPLY (I.B)	X6	RELAY (FAN MOTOR)		
LED2	POWER SUPPLY (R.B)	R.B	WIRED REMOTE CONTROLLER BOARD	TH1	ROOM TEMP.THERMISTOR (0°C/15kΩ, 25°C/5.4kΩ DETECT)
LED3	TRANSMISSION (INDOOR-OUTDOOR)	TB6	TERMINAL BLOCK (REMOTE CONTROLLER TRANSMISSION LINE)	TH2	PIPE TEMP.THERMISTOR/LIQUID (0°C/15kΩ, 25°C/5.4kΩ DETECT)
		HEATER		TH5	COND./EVA.TEMP.THERMISTOR (0°C/15kΩ, 25°C/5.4kΩ DETECT)
		FS1,2	THERMAL FUSE (110°C/16A)		
		H	HEATER		
		26H	HEATER THERMAL SWITCH		
		88H	HEATER CONTACTOR		

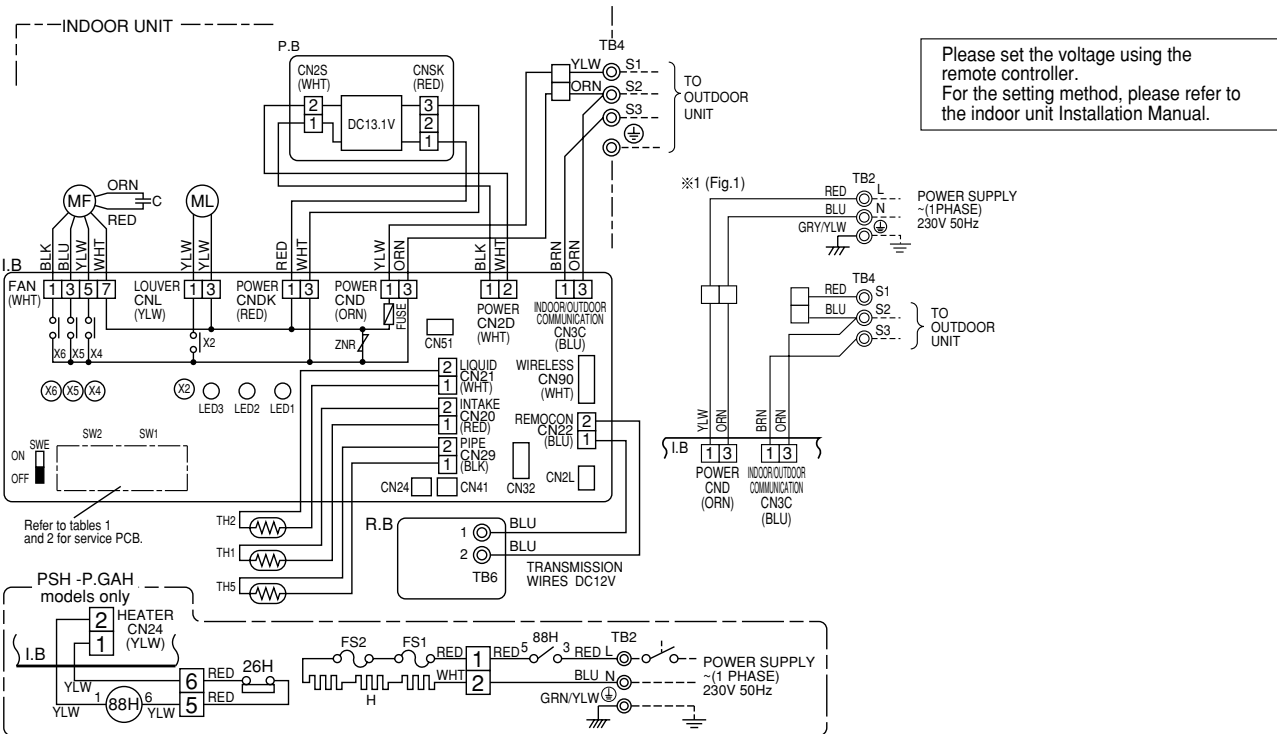


Table 1

MODELS	SW2				
	1	2	3	4	5
PSA-RP.GA	ON	ON	ON	ON	ON
PSH-P.GAH	OFF	OFF	OFF	OFF	OFF

Notes:

- Symbols used in wiring diagram above are, \square : Connector, \odot : Terminal (block).
- Indoor and outdoor connecting wires have polarities, make sure to match terminal numbers (S1, S2, S3) for correct wirings.
- Since the outdoor side electric wiring may change, be sure to check the outdoor unit electric wiring diagram for servicing.
- This diagram shows the wiring of indoor and outdoor connecting wires (specification of 230V), adopting superimposed system of power and signal.
 ※1: When supplying power separately to indoor and outdoor units, refer to Fig 1.
 ※2: For power supply system of this unit, refer to the caution label located near this diagram.

Table 2

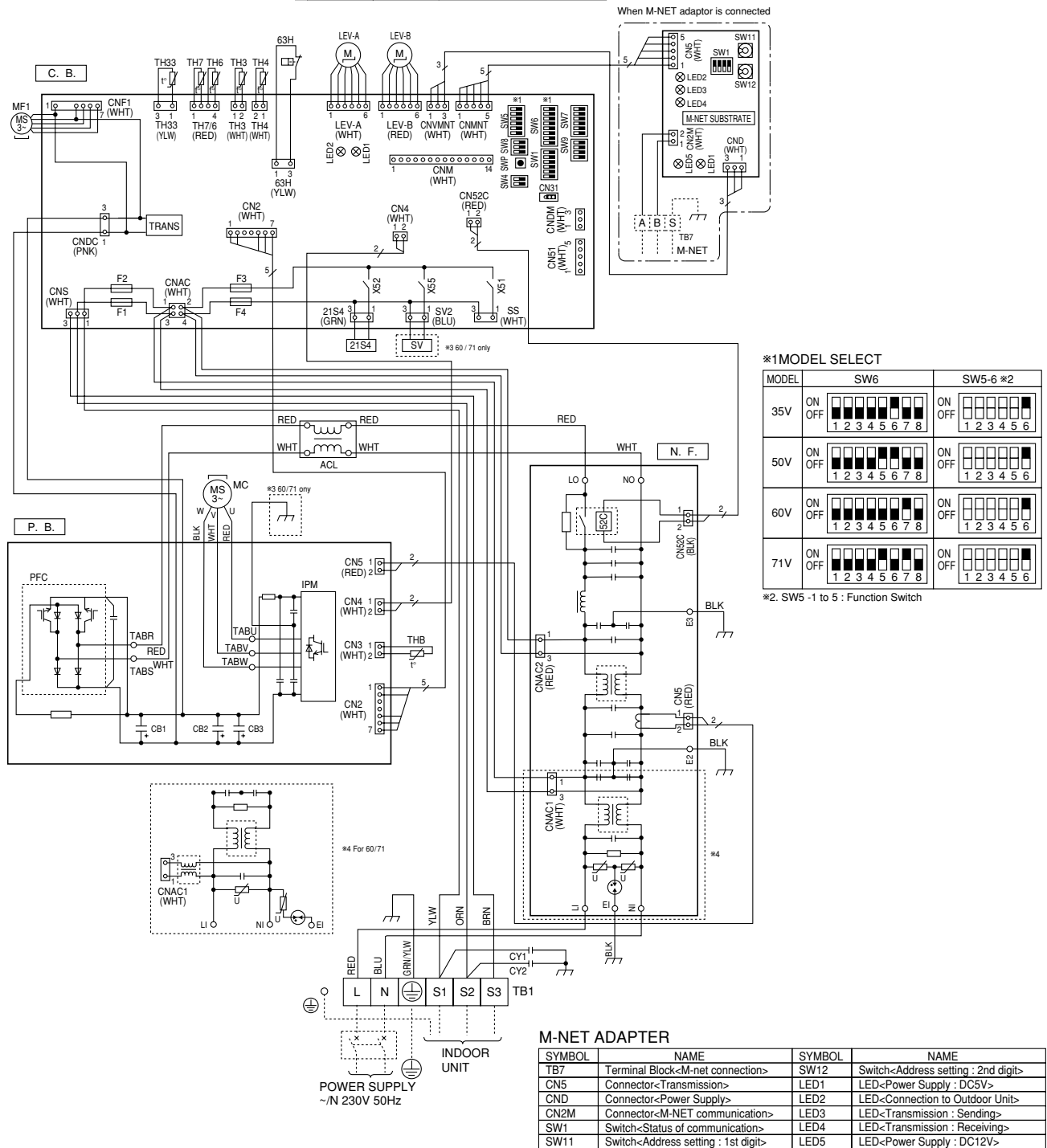
MODELS	SW2				
	1	2	3	4	5
PSA-RP71GA	ON	ON	ON	ON	ON
PSH-P71GAH	OFF	OFF	OFF	OFF	OFF
PSA-RP100GA	ON	ON	ON	ON	ON
PSH-P100GAH	OFF	OFF	OFF	OFF	OFF
PSA-RP125GA	ON	ON	ON	ON	ON
PSH-P125GAH	OFF	OFF	OFF	OFF	OFF
PSA-RP140GA	ON	ON	ON	ON	ON
PSH-P140GAH	OFF	OFF	OFF	OFF	OFF

4-2. OUTDOOR UNIT

PUHZ-RP35VHA2 PUHZ-RP50VHA2 PUHZ-RP60VHA2 PUHZ-RP71VHA2

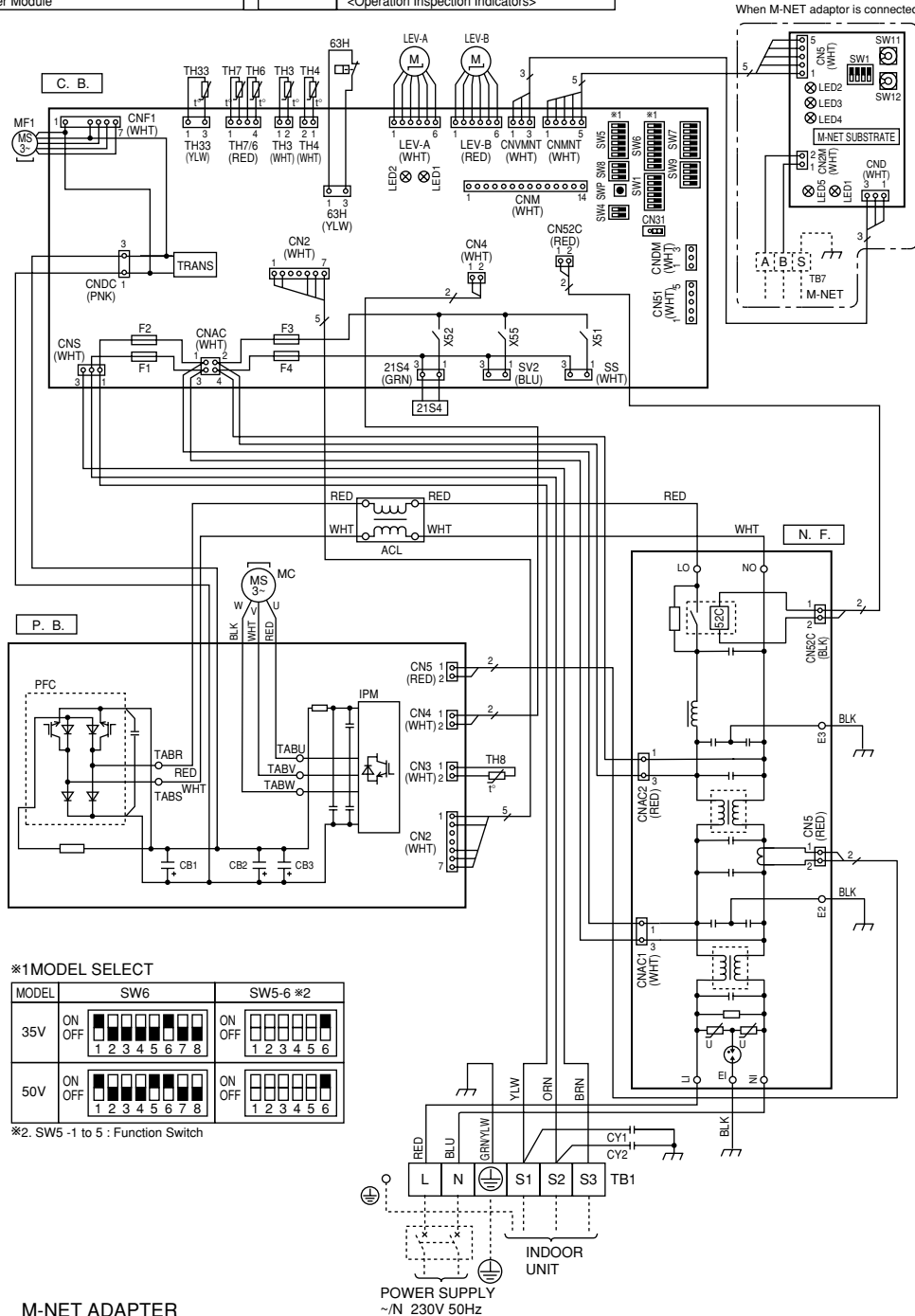
[LEGEND]

SYMBOL	NAME	SYMBOL	NAME	SYMBOL	NAME
TB1	Terminal Block<Power Supply, Indoor/Outdoor>	N.F.	Noise Filter Circuit Board	CN31	Connector<Emergency Operation>
MC	Motor for Compressor	LI/LO	Connection Terminal<L-Phase>	SS	Connector<Connection for Option>
MF1	Fan Motor	NI/NO	Connection Terminal<N-Phase>	CNM	Connector<A-Control Service Inspection Kit>
21S4	Solenoid Valve (Four-Way Valve)	E	Connection Terminal<Ground>	CNMNT	Connector <Connected to Optional M-NET Adapter Board>
63H	High Pressure Switch	52C	52C Relay	CNVMT	Connector <Connected to Optional M-NET Adapter Board>
SV	Solenoid Valve (Bypass Valve)	C.B.	Controller Circuit Board	CNDM	Connector < Connected for Option (Contact Input)>
TH3, TH33	Thermistor<Outdoor Pipe>	SW1	Switch<Forced Defrost, Defect History Record Reset, Refrigerant Address>	X51,X52,X55	Relay
TH4	Thermistor<Discharge>	SW4	Switch<Test Operation>		
TH6	Thermistor<Outdoor 2-Phase Pipe>	SW5	Switch<Function Switch>		
TH7	Thermistor<Outdoor>	SW6	Switch<Model Select>		
TH8	Thermistor<Heat Sink>	SW7	Switch<Function Setup>		
LEV-A, LEV-B	Electronic Expansion Valve	SW8	Switch		
ACL	Reactor	SW9	Switch		
P.B.	Power Circuit Board	LED1,LED2	Light Emitting Diodes <Operation Inspection Indicators>		
R/S	Connection Terminal<L/N-Phase>	F1~4	Fuse<T6.3AL250V>		
U/V/W	Connection Terminal<U/V/W-Phase>	SWP	Switch<Pump Down>		
IPM	Inverter				
CB1~CB3	Main Smoothing Capacitor				



PUHZ-RP35VHA3 PUHZ-RP50VHA3

SYMBOL	NAME	SYMBOL	NAME	SYMBOL	NAME
TB1	Terminal Block <Power Supply, Indoor/Outdoor>	CB1-CB3	Main Smoothing Capacitor	F1-4	Fuse <T6.3AL250V>
MC	Motor for Compressor	N.F.	Noise Filter Circuit Board	SWP	Switch <Pump Down>
MF1	Fan Motor	L1/L0	Connection Terminal <L-Phase>	CN31	Connector <Emergency Operation>
21S4	Solenoid Valve (Four-Way Valve)	N1/NO	Connection Terminal <N-Phase>	CN51	Connector for Option
63H	High Pressure Switch	E1,E2,E3	Connection Terminal <Ground>	SS	Connector <Connection for Option>
TH3, TH33	Thermistor <Outdoor Pipe>	52C	52C Relay	CNM	Connector <A-Control Service Inspection Kit>
TH4	Thermistor <Discharge>	C.B.	Controller Circuit Board	CNMNT	Connector
TH6	Thermistor <Outdoor 2-Phase Pipe>	SW1	Switch <Forced Defrost, Defect History Record Reset, Refrigerant Address>		<Connected to Optional M-NET Adapter Board>
TH7	Thermistor <Outdoor>	SW4	Switch <Test Operation>	CNMVMT	Connector
TH8	Thermistor <Heat Sinks>	SW5	Switch <Function Switch>		<Connected to Optional M-NET Adapter Board>
LEV-A, LEV-B	Electronic Expansion Valve	SW6	Switch <Model Select>	CNDM	Connector
ACL	Reactor	SW7	Switch <Function Setup>		< Connected for Option (Contact Input)>
CY1,CY2	Reactor	SW8	Switch <Function Setup>	X51,X52,X55	Relay
P.B.	Power Circuit Board	SW9	Switch		
R/S	Connection Terminal <L/N-Phase>	LED1,LED2	Light Emitting Diodes		
U/V/W	Connection Terminal <U/V/W-Phase>		<Operation Inspection Indicators>		
IPM	Power Module				



***1 MODEL SELECT**

MODEL	SW6	SW5-6 *2
35V	ON OFF [1-8]	ON OFF [1-6]
50V	ON OFF [1-8]	ON OFF [1-6]

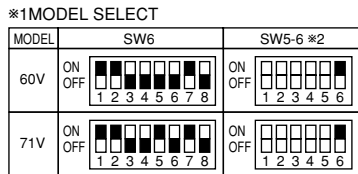
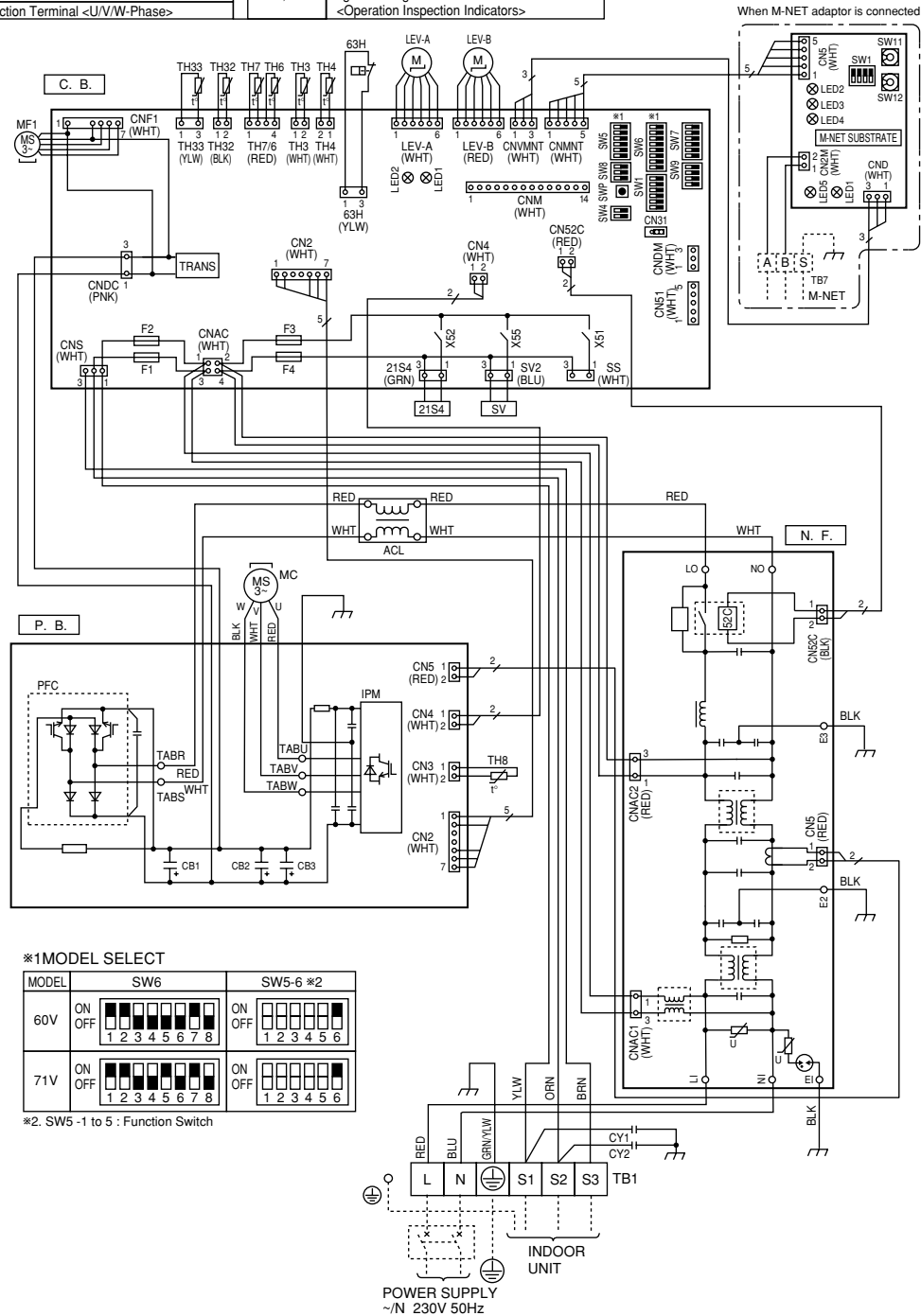
***2. SW5-1 to 5 : Function Switch**

M-NET ADAPTER
~N 230V 50Hz

SYMBOL	NAME	SYMBOL	NAME
TB7	Terminal Block <M-net connection>	SW12	Switch <Address setting : 2nd digit>
CN5	Connector <Transmission>	LED1	LED <Power Supply : DC5V>
CND	Connector <Power Supply>	LED2	LED <Connection to Outdoor Unit>
CN2M	Connector <M-NET communication>	LED3	LED <Transmission : Sending>
SW1	Switch <Status of communication>	LED4	LED <Transmission : Receiving>
SW11	Switch <Address setting : 1st digit>	LED5	LED <Power Supply : DC12V>

PUHZ-RP60VHA3 PUHZ-RP71VHA3

SYMBOL	NAME	SYMBOL	NAME	SYMBOL	NAME
TB1	Terminal Block <Power Supply, Indoor/Outdoor>	IPM	Power Module	F1~4	Fuse <T6.3AL250V>
MC	Motor for Compressor	CB1~CB3	Main Smoothing Capacitor	SWP	Switch <Pump Down>
MF1	Fan Motor	N.F.	Noise Filter Circuit Board	CN31	Connector <Emergency Operation>
21S4	Solenoid Valve (Four-Way Valve)	L/L/O	Connection Terminal <L-Phase>	CN51	Connection for Option
63H	High Pressure Switch	N/N/O	Connection Terminal <N-Phase>	SS	Connector <Connection for Option>
SV	Solenoid Valve (Bypass Valve)	EI.E2.E3	Connection Terminal <Ground>	CNM	Connector <A-Control Service Inspection Kit>
TH3, TH33	Thermistor <Outdoor Pipe>	52C	52C Relay	CNMNT	Connector <Connected to Optional M-NET Adapter Board>
TH4	Thermistor <Discharge>	C.B.	Controller Circuit Board	CNMNT	Connector <Connected to Optional M-NET Adapter Board>
TH6	Thermistor <Outdoor 2-Phase Pipe>	SW1	Switch <Forced Defrost, Defect History Record Reset, Refrigerant Address>	CNDM	Connector <Connected for Option (Contact Input)>
TH7	Thermistor <Outdoor>	SW4	Switch <Test Operation>	X51.X52.X55	Relay
TH8	Thermistor <Heat Sink>	SW5	Switch <Function Switch>		
TH32	Thermistor <Shell>	SW6	Switch <Model Select>		
LEV-A, LEV-B	Electronic Expansion Valve	SW7	Switch <Function Setup>		
ACL	Reactor	SW8	Switch <Function Setup>		
CY1.CY2	Reactor	SW9	Switch		
P.B.	Power Circuit Board	LED1.LED2	Light Emitting Diodes <Operation Inspection Indicators>		
R/S	Connection Terminal <L/N-Phase>				
U/V/W	Connection Terminal <U/V/W-Phase>				



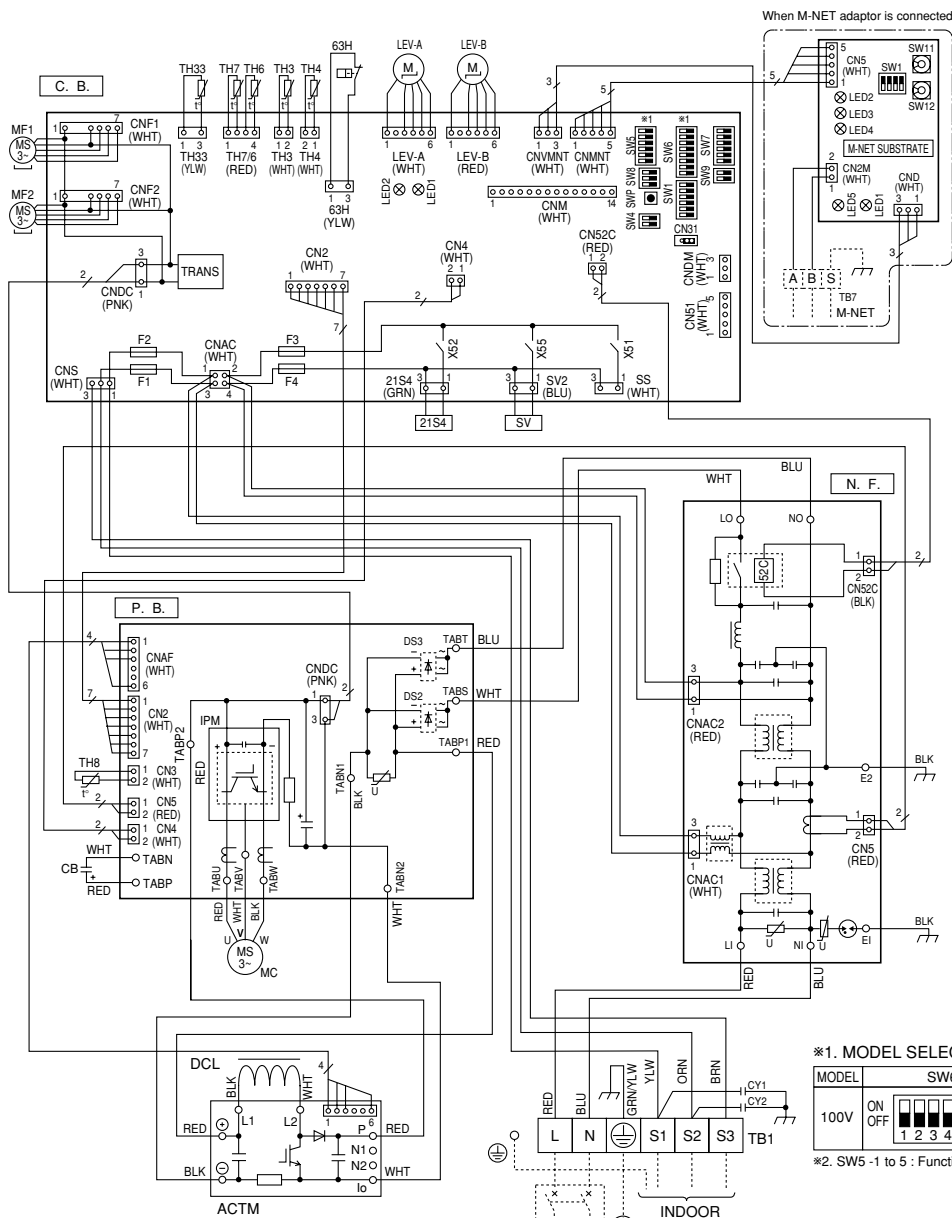
M-NET ADAPTER

SYMBOL	NAME	SYMBOL	NAME
TB7	Terminal Block <M-net connection>	SW12	Switch <Address setting : 2nd digit>
CN5	Connector <Transmission>	LED1	LED <Power Supply : DC5V>
CND	Connector <Power Supply>	LED2	LED <Connection to Outdoor Unit>
CN2M	Connector <M-NET communication>	LED3	LED <Transmission : Sending>
SW1	Switch <Status of communication>	LED4	LED <Transmission : Receiving>
SW11	Switch <Address setting : 1st digit>	LED5	LED <Power Supply : DC12V>

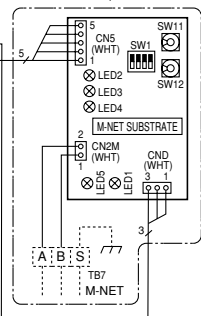
PUHZ-RP100VHA2

[LEGEND]

SYMBOL	NAME	SYMBOL	NAME	SYMBOL	NAME
TB1	Terminal Block<Power Supply, Indoor/Outdoor >	TABP1/P2/P	Connection Terminal<DC Voltage>	SWP	Switch<Pump Down>
MC	Motor for Compressor	TABN1/N2/N	Connection Terminal<DC Voltage>	CN31	Connector<Emergency Operation>
MF1, MF2	Fan Motor	DS2, DS3	Diode Bridge	SS	Connector<Connection for Option>
21S4	Solenoid Valve (Four-Way Valve)	IPM	Power Module	CNM	Connector<A-Control Service Inspection Kit>
63H	High Pressure Switch	N.F.	Noise Filter Circuit Board	CNMNT	Connector <Connected to Optional M-NET Adaptor Board>
SV	Solenoid Valve (Bypass Valve)	LI / LO	Connection Terminal<L-Phase>	CNVMT	Connector <Connected to Optional M-NET Adaptor Board>
TH3, TH33	Thermistor-Outdoor Pipe>	NI / NO	Connection Terminal<N-Phase>	CNDM	Connector < Connected for Option (Contact Input)>
TH4	Thermistor-Discharge>	E1, E2	Connection Terminal<Ground>	LED1, LED2	Light Emitting Diodes <Operation Inspection Indicators>
TH6	Thermistor-Outdoor 2-Phase Pipe>	52C	52C Relay	F1~F4	Fuse< T6.3AL250V>
TH7	Thermistor-Outdoor>	C.B.	Controller Circuit Board	X51,X52,X55	Relay
TH8	Thermistor-Heat Sink>	SW1	Switch<Forced Defrost, Defect History Record Reset, Refrigerant Address>		
LEV-A, LEV-B	Electronic Expansion Valve	SW4	Switch<Test Operation>		
DCL	Reactor	SW5	Switch<Function Switch>		
ACTM	Active Filter Module	SW6	Switch<Model Select>		
CB	Main Smoothing Capacitor	SW7	Switch<Function Setup>		
P.B.	Power Circuit Board	SW8	Switch		
TABU/V/W	Connection Terminal<U/V/W-Phase>	SW9	Switch		
TABS/T	Connection Terminal <L/N-Phase>				



When M-NET adaptor is connected



*1. MODEL SELECT



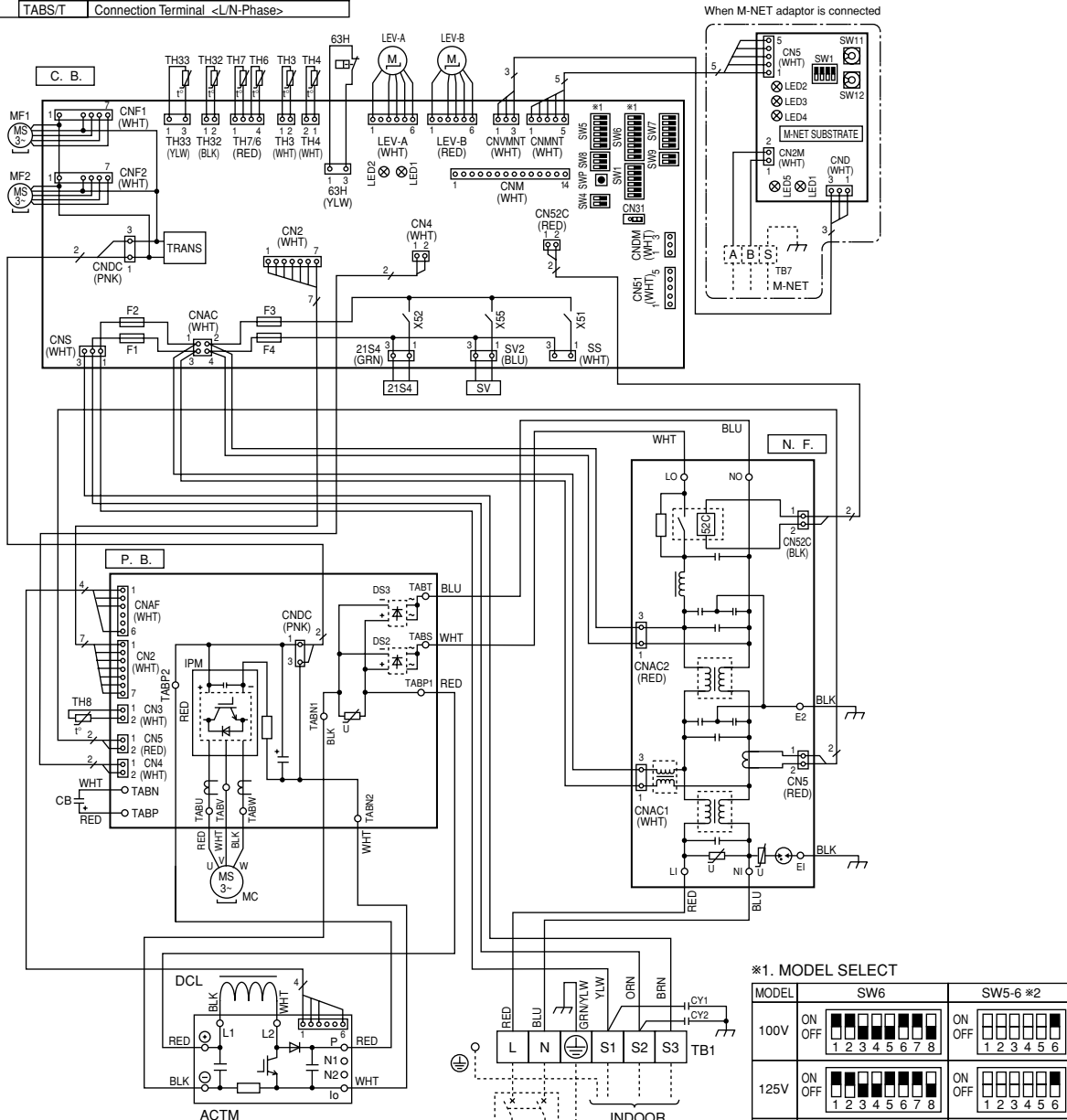
*2. SW5 -1 to 5 : Function Switch

M-NET ADAPTER

SYMBOL	NAME
TB7	Terminal Block<M-net connection>
CN5	Connector<Transmission>
CND	Connector<Power Supply>
CN2M	Connector<M-NET communication>
SW1	Switch<Status of communication>
SW11	Switch<Address setting>
SW12	Switch<Address setting : 2nd digit>
LED1	LED<Power Supply : DC5V>
LED2	LED<Connection to Outdoor Unit>
LED3	LED<Transmission : Sending>
LED4	LED<Transmission : Receiving>
LED5	LED<Power Supply : DC12V>

PUHZ-RP125VHA2 PUHZ-RP140VHA2 PUHZ-RP100VHA3

SYMBOL	NAME	SYMBOL	NAME	SYMBOL	NAME
TB1	Terminal Block <Power Supply, Indoor/Outdoor >	TABP1/P2/P	Connection Terminal <DC Voltage>	SWP	Switch <Pump Down>
MC	Motor for Compressor	TABN1/N2/N	Connection Terminal <DC Voltage>	CN31	Connector <Emergency Operation>
MF1, MF2	Fan Motor	DS2, DS3	Diode Bridge	CN51	Connection for Option
21S4	Solenoid Valve (Four-Way Valve)	IPM	Power Module	SS	Connector <Connection for Options>
63H	High Pressure Switch	N.F.	Noise Filter Circuit Board	CNM	Connector <A-Control Service Inspection Kit>
SV	Solenoid Valve (Bypass Valve)	LI / LO	Connection Terminal <L-Phase>	CNMNT	Connector <Connected to Optional M-NET Adapter Board>
TH3, TH33	Thermistor <Outdoor Pipe>	NI / NO	Connection Terminal <N-Phase>	CNMNT	Connector <Connected to Optional M-NET Adapter Board>
TH4	Thermistor <Discharge>	E1, E2	Connection Terminal <Ground>	CNVMT	Connector <Connected to Optional M-NET Adapter Board>
TH6	Thermistor <Outdoor 2-Phase Pipe>	52C	52C Relay	CNDM	Connector < Connected for Option (Contact Input)>
TH7	Thermistor <Outdoor>	C.B.	Controller Circuit Board	LED1, LED2	Light Emitting Diodes <Operation Inspection Indicators>
TH8	Thermistor <Heat Sink>	SW1	Switch <Forced Defrost, Defect History Record Reset, Refrigerant Address>	F1-F4	Fuse < T6.3AL250V>
TH32	Thermistor <Shell>	SW4	Switch <Test Operation>	X51.X52.X55	Relay
LEV-A, LEV-B	Electronic Expansion Valve	SW5	Switch <Function Switch>		
DCL	Reactor	SW6	Switch <Model Select>		
ACTM	Active Filter Module	SW7	Switch <Function Setup>		
CB	Main Smoothing Capacitor	SW8	Switch <Function Setup>		
CY1, CY2	Capacitor	SW9	Switch		
P.B.	Power Circuit Board				
TABU/V/W	Connection Terminal <U/V/W-Phase>				
TABS/T	Connection Terminal <L/N-Phase>				



M-NET ADAPTER

SYMBOL	NAME
TB7	Terminal Block <M-net connection>
CN5	Connector <Transmission>
CND	Connector <Power Supply>
CN2M	Connector <M-NET communication>
SW1	Switch <Status of communication>
SW11	Switch <Address setting>
SW12	Switch <Address setting : 2nd digit>
LED1	LED <Power Supply : DC5V>
LED2	LED <Connection to Outdoor Unit>
LED3	LED <Transmission : Sending>
LED4	LED <Transmission : Receiving>
LED5	LED <Power Supply : DC12V>

***1. MODEL SELECT**

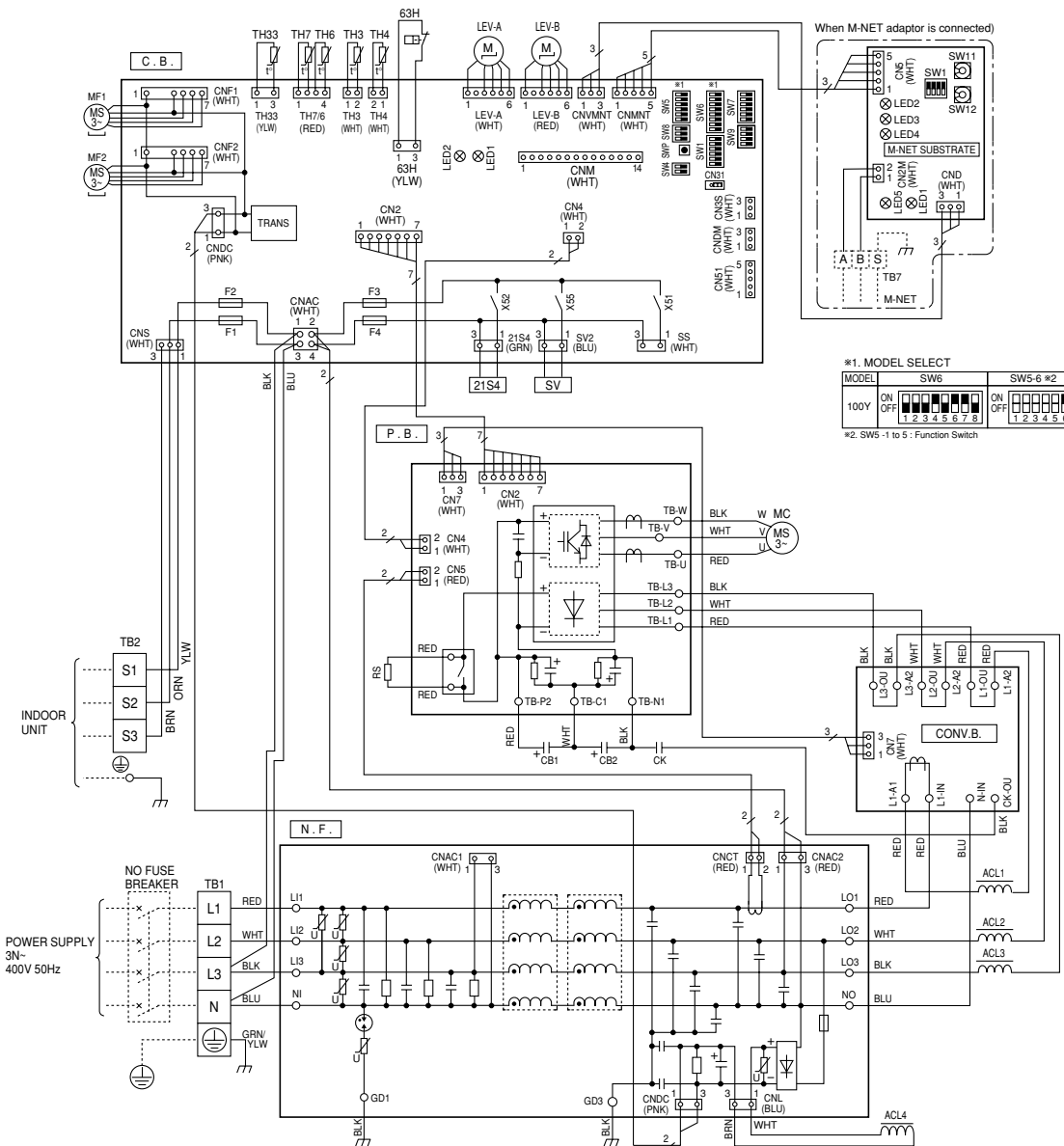
MODEL	SW6	SW5-6 #2
100V	ON OFF [1 2 3 4 5 6 7 8]	ON OFF [1 2 3 4 5 6]
125V	ON OFF [1 2 3 4 5 6 7 8]	ON OFF [1 2 3 4 5 6]
140V	ON OFF [1 2 3 4 5 6 7 8]	ON OFF [1 2 3 4 5 6]

***2. SW5 -1 to 5 : Function Switch**

PUHZ-RP100YHA2

[LEGEND]

SYMBOL	NAME	SYMBOL	NAME	SYMBOL	NAME
TB1	Terminal Block<Power Supply >	TB-C1	Connection Terminal	SW8	Switch
TB2	Terminal Block<Indoor/Outdoor >	TB-N1	Connection Terminal	SW9	Switch
MC	Motor for Compressor	N.F.	Noise Filter Circuit Board	SWP	Switch<Pump Down>
MF1, MF2	Fan Motor	L1/L2/L3/NI	Connection Terminal<L1/L2/L3/N-Power Supply>	CN31	Connector<Emergency Operation>
21S4	Solenoid Valve (Four-Way Valve)	L01/L02/L03/NO	Connection Terminal<L1/L2/L3/N-Power Supply>	LED1/LED2	LED<Operation Inspection Indicators>
63H	High Pressure Switch	GD1, GD3	Connection Terminal<Ground>	F1~F4	FUSE<T6.3A/250V>
SV	Solenoid Valve (Bypass Valve)	CONV.B.	Converter Circuit Board	CNM	Connector<A-Control Service Inspection Kit>
TH3, TH33	Thermistor<Outdoor Pipe>	L1-A1/IN	Connection Terminal<L1-Power Supply>	CNMNT	Connector<Connect to Optional M-NET Adapter Board>
TH4	Thermistor-Discharge	L1-A2/OU	Connection Terminal<L1-Power Supply>	CNMNT	Connector<Connect to Optional M-NET Adapter Board>
TH6	Thermistor-Outdoor 2-Phase Pipe>	L2-A2/OU	Connection Terminal<L2-Power Supply>	CNDM	Connector<Connect to Optional M-NET Adapter Board>
TH7	Thermistor-Outdoors	L3-A2/OU	Connection Terminal<L3-Power Supply>	CNDM	Connector<Connect to Optional M-NET Adapter Board>
LEV-A, LEV-B	Electronic Expansion Valve	N-IN	Connection Terminal	CN3S	Connector< Connection for Option>
ACL1~ACL4	Reactor	CK-OU	Connection Terminal	CN51	Connector< Connection for Option>
CB1, CB2	Main Smoothing Capacitor	C.B.	Controller Circuit Board		
CK	Capacitor	SW1	Switch<Forced Defrost, Defect History Record Reset, Refrigerant Address>		
RS	Rush Current Protect Resistor	SW4	Switch<Test Operation>		
P.B.	Power Circuit Board	SW5	Switch<Function Switch>		
TB-U/V/W	Connection Terminal<U/V/W-Phase>	SW6	Switch<Model Select>		
TB-L1/L2/L3	Connection Terminal<L1/L2/L3-Power Supply>	SW7	Switch<Function Setup>		
TB-P2	Connection Terminal				

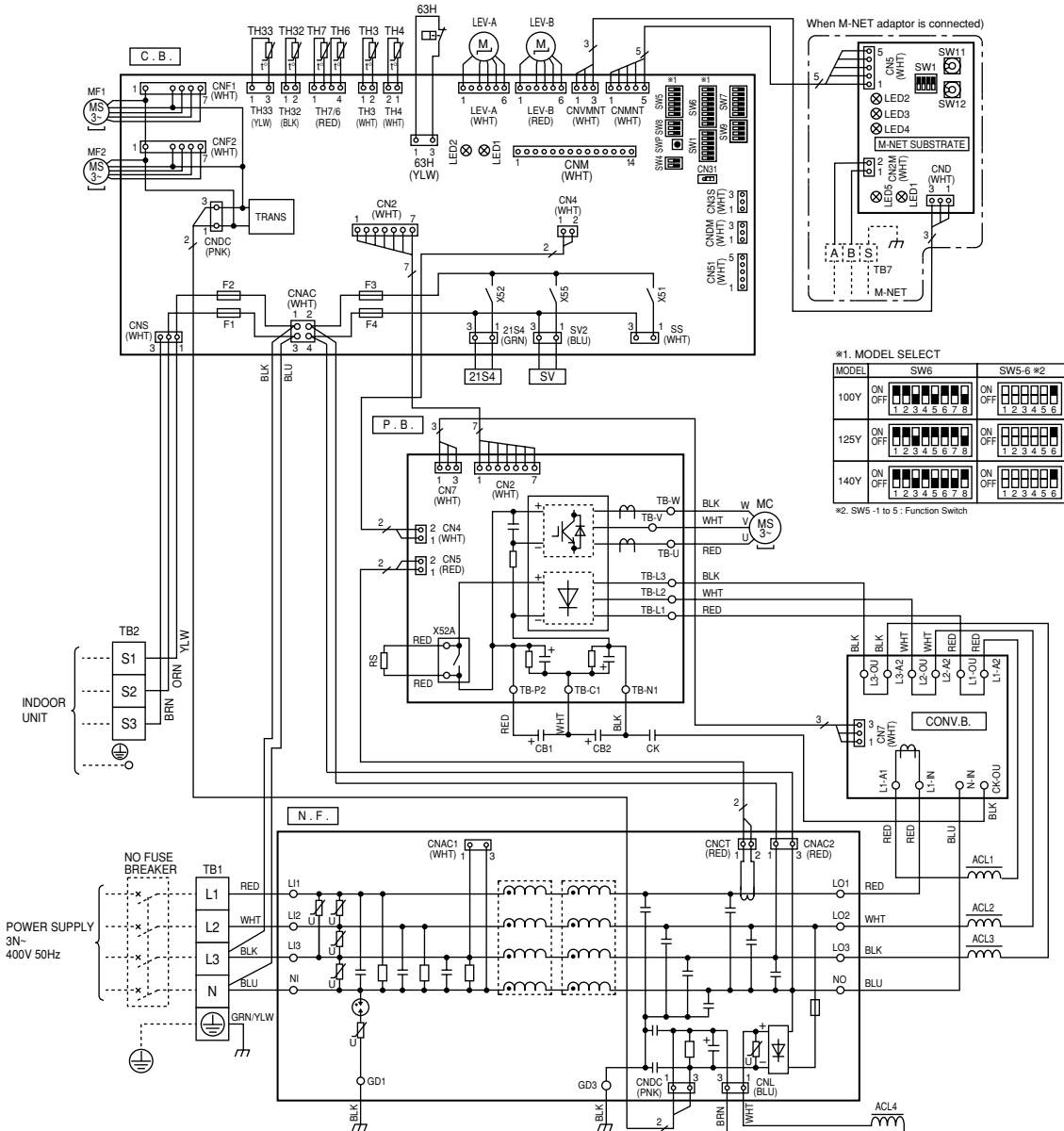


M-NET ADAPTER

TB7	Terminal Block<M-NET connection >	SW12	Switch<Address setting, 2nd digit >
CN5	Connector<Transmission>	LED1	LED<Power Supply: DC5V>
CND	Connector<Power Supply>	LED2	LED<Connection to Outdoor Unit>
CN2M	Connector<M-NET communication>	LED3	LED<Transmission: Sending>
SW1	Switch<Status of communication>	LED4	LED<Transmission: Receiving>
SW11	Switch<Address setting: 1st digit>	LED5	LED<Power Supply: DC12V>

PUHZ-RP100YHA3 PUHZ-RP125YHA2 PUHZ-RP140YHA2

SYMBOL	NAME	SYMBOL	NAME	SYMBOL	NAME
TB1	Terminal Block <Power Supply >	TB-P2	Connection Terminal	SW6	Switch <Model Select>
TB2	Terminal Block <Indoor/Outdoor >	TB-C1	Connection Terminal	SW7	Switch <Function Setup>
MC	Motor for Compressor	TB-N1	Connection Terminal	SW8	Switch <Function Setup>
MF1, MF2	Fan Motor	X52A	52C Relay	SW9	Switch
21S4	Solenoid Valve (Four-Way Valve)	N.F.	Noise Filter Circuit Board	SWP	Switch <Pump Downs>
63H	High Pressure Switch	L1/L2/L3/NI	Connection Terminal <L1/L2/L3/N-Power Supply>	CN31	Connector <Emergency Operation>
SV	Solenoid Valve (Bypass Valve)	L01/L02/L03/NO	Connection Terminal <L1/L2/L3/N-Power Supply>	LED1, LED2	LED <Operation Inspection Indicators>
TH3, TH33	Thermistor <Outdoor Pipe>	GD1, GD3	Connection Terminal <Ground>	F1-F4	FUSE <T6.3AL250V>
TH4	Thermistor <Discharge>	CONV.B.	Converter Circuit Board	CNM	Connector <A-Control Service Inspection Kit>
TH6	Thermistor <Outdoor 2-Phase Pipe>	L1-A1/IN	Connection Terminal <L1-Power Supply>	CNMNT	Connector
TH7	Thermistor <Outdoor>	L1-A2/OU	Connection Terminal <L1-Power Supply>	<Connect to Optional M-NET Adapter Board>	
TH32	Thermistor <Shell>	L2-A2/OU	Connection Terminal <L2-Power Supply>	CNVMNT	Connector
LEV-A, LEV-B	Electronic Expansion Valve	L3-A2/OU	Connection Terminal <L3-Power Supply>	<Connect to Optional M-NET Adapter Board>	
ACL1-ACL4	Reactor	N-IN	Connection Terminal	CNDM	Connector
CB1, CB2	Main Smoothing Capacitor	CK-OU	Connection Terminal	< Connection for Option(Contact Input)>	
CK	Capacitor	C.B.	Controller Circuit Board	CN3S	Connector < Connection for Option>
RS	Rush Current Protect Resistor	SW1	Switch <Forced Defrost, Defect History Record Reset, Refrigerant Address>	CN51	Connector < Connection for Option>
P.B.	Power Circuit Board	SW4	Switch <Test Operation>		
TB-U/V/W	Connection Terminal <U/V/W-Phase>	SW5	Switch <Function Switch>		
TB-L1/L2/L3	Connection Terminal <L1/L2/L3-Power Supply>				



#1. MODEL SELECT

MODEL	SW6	SW5-6 #2
100V	ON OFF 1 2 3 4 5 6 7 8	ON OFF 1 2 3 4 5 6
125V	ON OFF 1 2 3 4 5 6 7 8	ON OFF 1 2 3 4 5 6
140V	ON OFF 1 2 3 4 5 6 7 8	ON OFF 1 2 3 4 5 6

#2. SW5-1 to 5: Function Switch

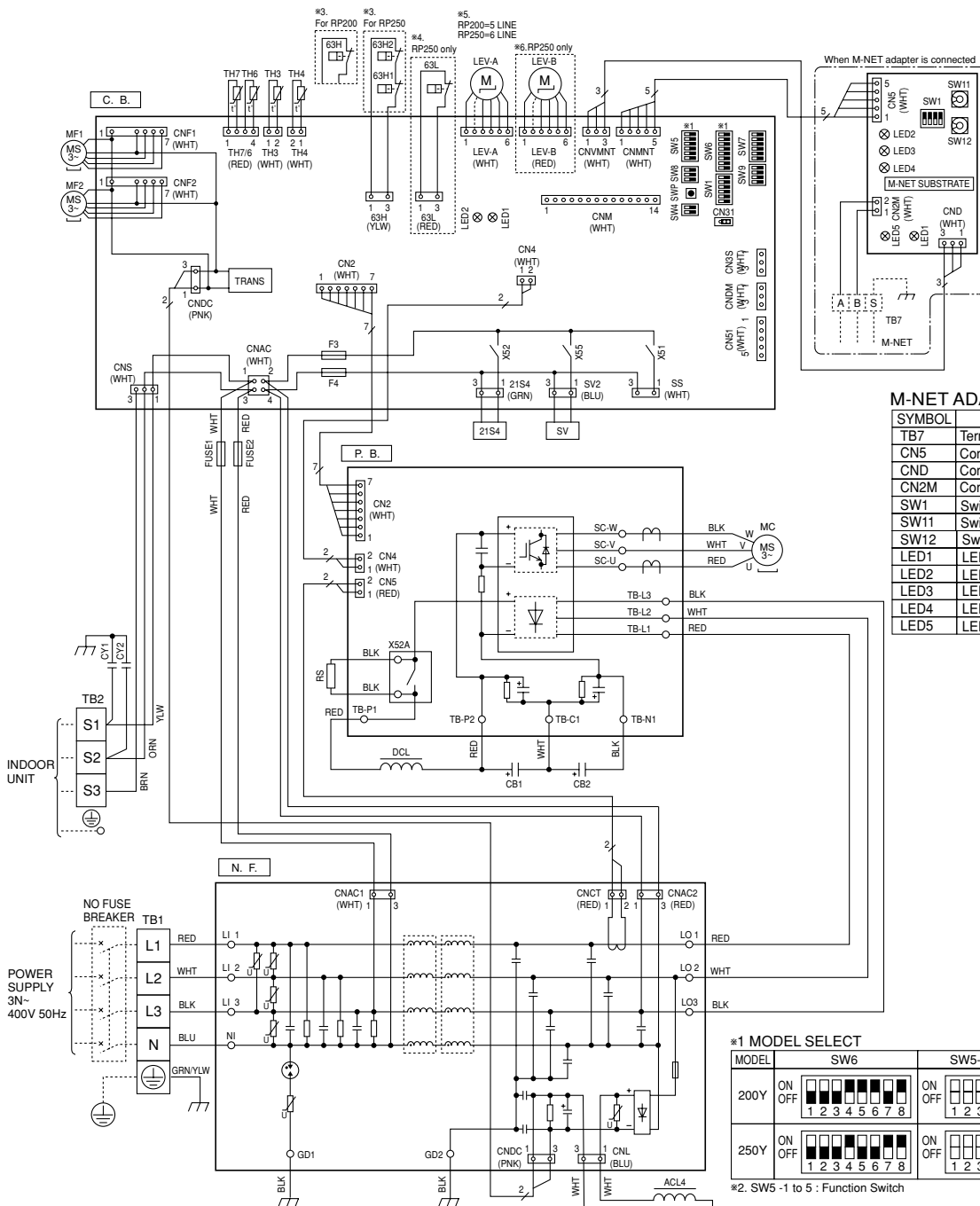
M-NET ADAPTER

TB7	Terminal Block <M-NET connection >	SW12	Switch <Address setting, 2nd digit >
CN5	Connector <Transmission>	LED1	LED <Power Supply: DC5V>
CND	Connector <Power Supply>	LED2	LED <Connection to Outdoor Unit>
CN2M	Connector <M-NET communication>	LED3	LED <Transmission: Sending>
SW1	Switch <Status of communication>	LED4	LED <Transmission: Receiving>
SW11	Switch <Address setting, 1st digit>	LED5	LED <Power Supply: DC12V>

PUHZ-RP200YHA2 PUAZ-RP250YHA2

(LEGEND)

SYMBOL	NAME	SYMBOL	NAME	SYMBOL	NAME
TB1	Terminal Block<Power Supply>	P.B.	Power Circuit Board	SW8	Switch<Function Setup>
TB2	Terminal Block<Indoor/Outdoor>	SC-U/V/W	Connection Terminal-<U/V/W-Phase>	SW9	Switch
MC	Motor for Compressor	TB-L1/L2/L3	Connection Terminal-<L1/L2/L3-Power supply>	SWP	Switch<Pump Down>
MF1,MF2	Fan Motor	TB-P1	Connection Terminal	CN31	Connector-<Emergency Operation>
21S4	Solenoid Valve (Four-Way Valve)	TB-P2	Connection Terminal	LED1,LED2	LED-<Operation Inspection Indicators>
SV	Solenoid Valve (Bypass Valve)	TB-C1	Connection Terminal	F3,F4	Fuse< T6.3AL250V>
63H,63H1,63H2	High Pressure Switch	TB-N1	Connection Terminal	SS	Connector-<Connection for Option>
63L	Low Pressure Switch	X52A	52C Relay	CNM	Connector-<A-Control Service Inspection Kit>
TH3	Thermistor<Outdoor Pipe>	N.F.	Noise Filter Circuit Board	CNMNT	Connector
TH4	Thermistor<Discharge>	LI1/ L2/L3/NI	Connection Terminal-<L1/L2/L3/NI-Power supply>		<Connected to Optional M-NET Adapter Board>
TH6	Thermistor<Outdoor 2-Phase Pipe>	LO1/ LO2/LO3	Connection Terminal-<L1/L2/L3-Power supply>	CNMVMT	Connector
TH7	Thermistor<Outdoor>	GD1,GD2	Connection Terminal-<Ground>		<Connected to Optional M-NET Adapter Board>
LEV-A,LEV-B	Electronic Expansion Valve	C.B.	Controller Circuit Board	CNDM	Connector
ACL4	Reactor	SW1	Switch-<Forced Defrost, Defect History Record Reset, Refrigerant Address>		< Connected for Option (Contact Input)>
DCL	Reactor	SW4	Switch-<Test Operation>	CN3S	Connector-<Connection for Option>
CB1,CB2	Main Smoothing Capacitor	SW5	Switch-<Function Switch>	CN51	Connector-<Connection for Option>
RS	Rush Current Protect Resistor	SW6	Switch-<Model Select>	X51,X52,X55	Relay
FUSE1, FUSE2	Fuse<T15AL250V>	SW7	Switch-<Function Setup>		
CY1,CY2	Capacitor				



M-NET ADAPTER

SYMBOL	NAME
TB7	Terminal Block(M-NET connection)
CN5	Connector<Transmission>
CND	Connector<Power Supply>
CN2M	Connector<M-NET communication>
SW1	Switch<Status of communication>
SW11	Switch<Address setting:1st digit>
SW12	Switch<Address setting:2nd digit>
LED1	LED-<Power Supply:DC5V>
LED2	LED-<Connection to Outdoor Unit>
LED3	LED-<Transmission:Sending>
LED4	LED-<Transmission:Receiving>
LED5	LED-<Power Supply:DC12V>

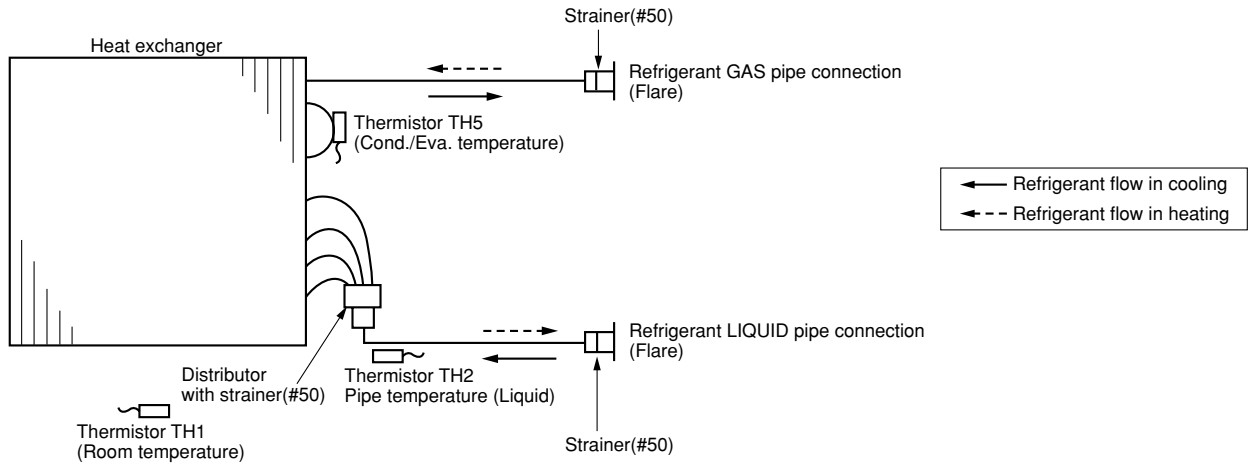
*1 MODEL SELECT

MODEL	SW6	SW5-6 #2
200Y	ON OFF [1] [2] [3] [4] [5] [6] [7] [8]	ON OFF [1] [2] [3] [4] [5] [6]
250Y	ON OFF [1] [2] [3] [4] [5] [6] [7] [8]	ON OFF [1] [2] [3] [4] [5] [6]

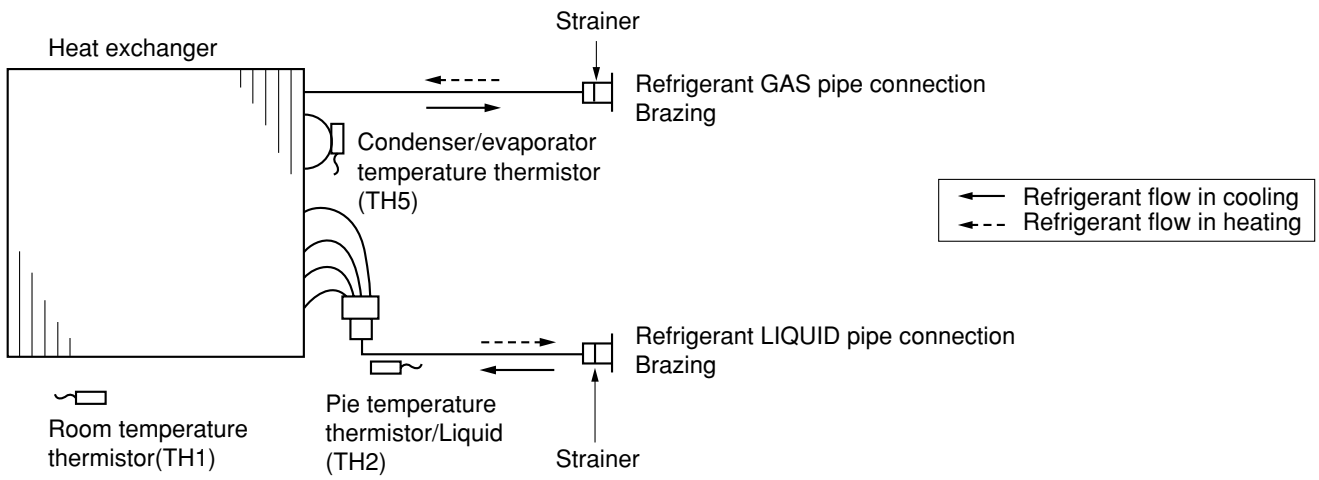
*2. SW5-1 to 5 : Function Switch

5-1. INDOOR UNIT

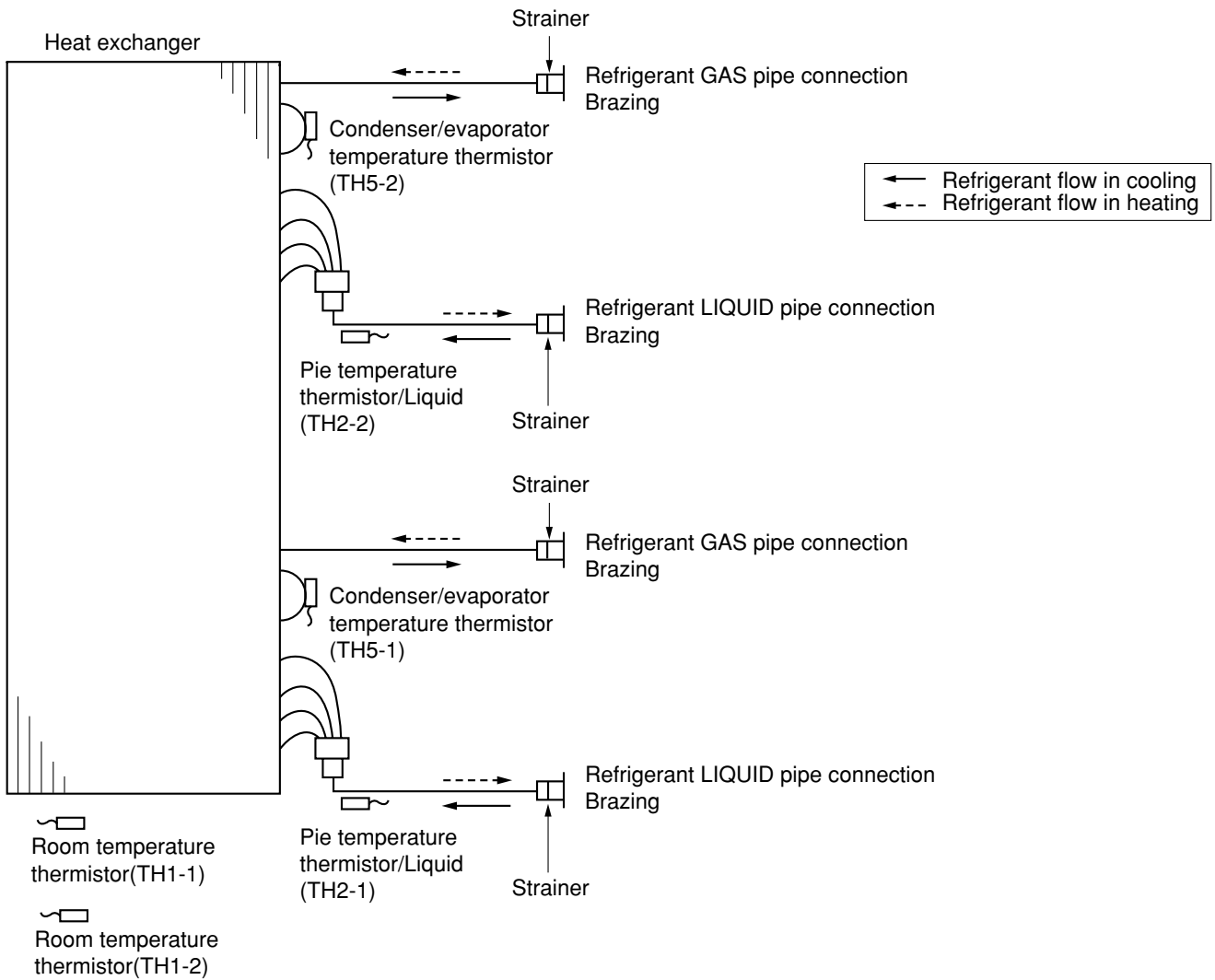
PLA-RP·BA(2) PLA-RP·AA(2) PCA-RP·GA(2) PCA-RP·HA
 PKA-RP·GAL PKA-RP·FAL(2) PSA-RP·GA
 PEAD-RP·EA(2) PEAD-RP·GA



PEA-RP200, 250GA



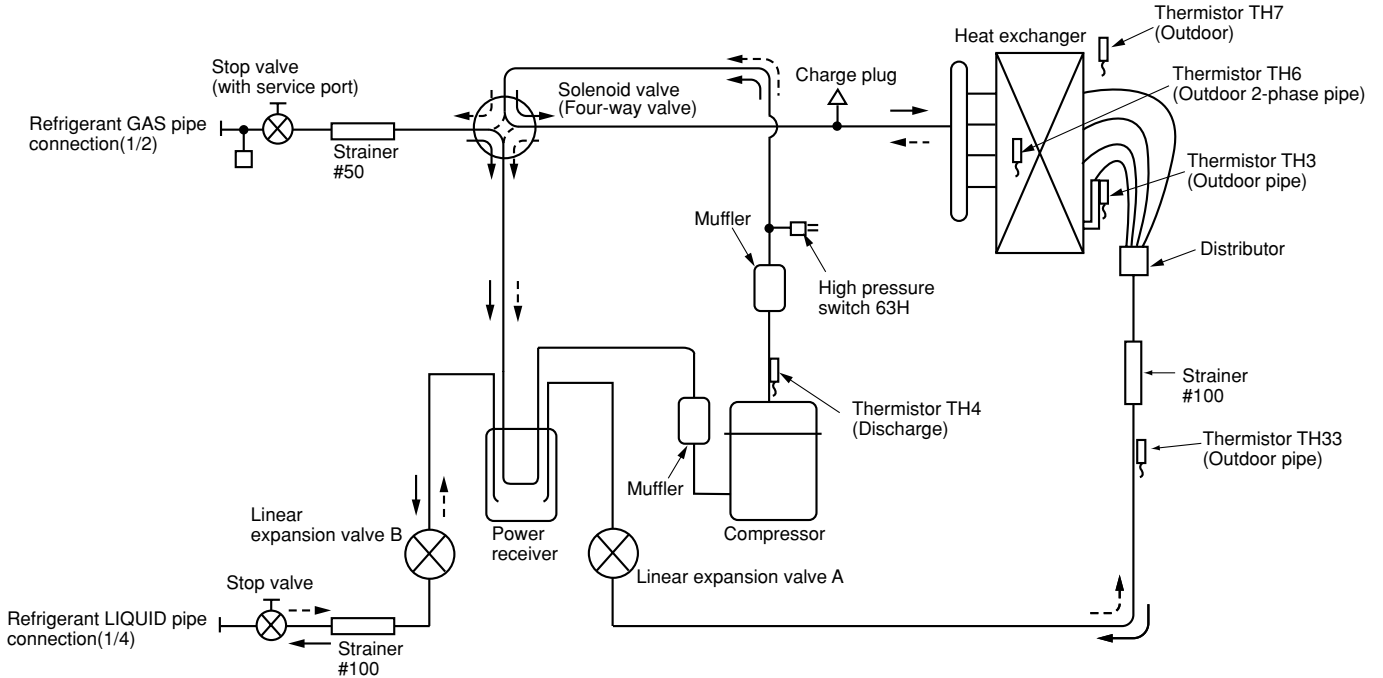
PEA-RP400GA PEA-RP500GA



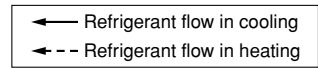
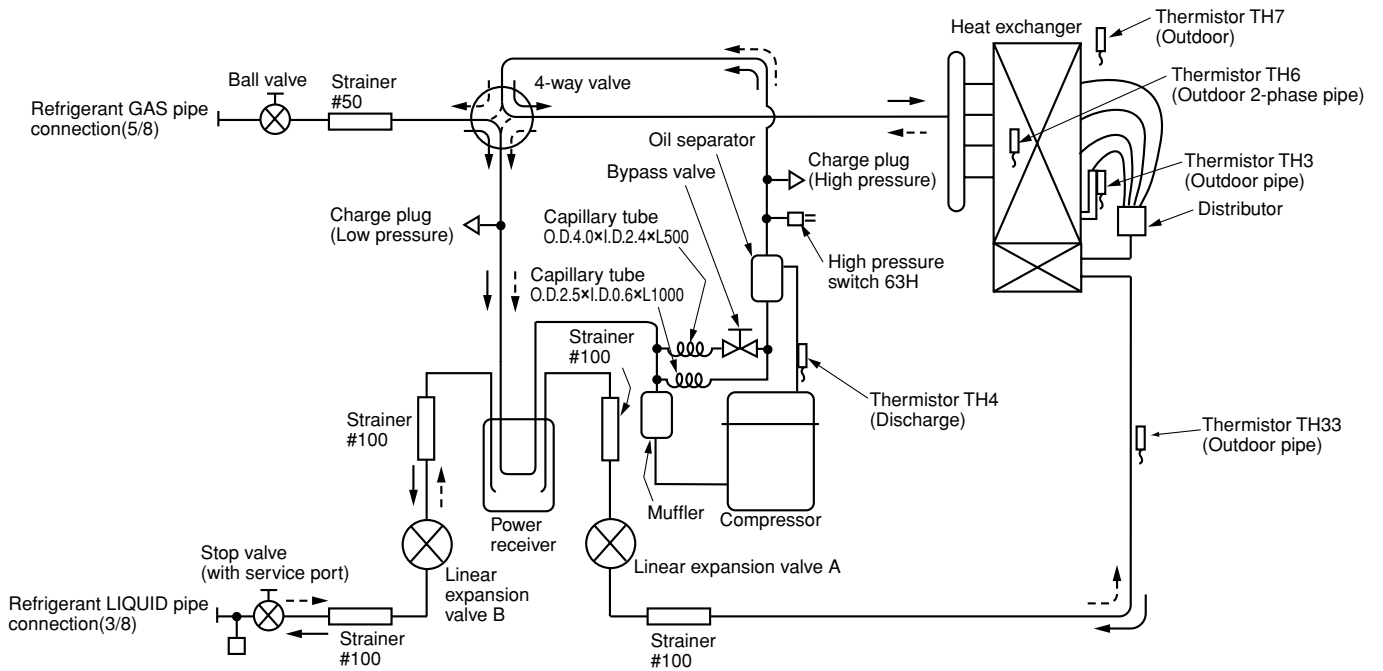
5-2. OUTDOOR UNIT

Unit : mm (inch)

PUHZ-RP35VHA2 PUHZ-RP35VHA3 PUHZ-RP50VHA2 PUHZ-RP50VHA3

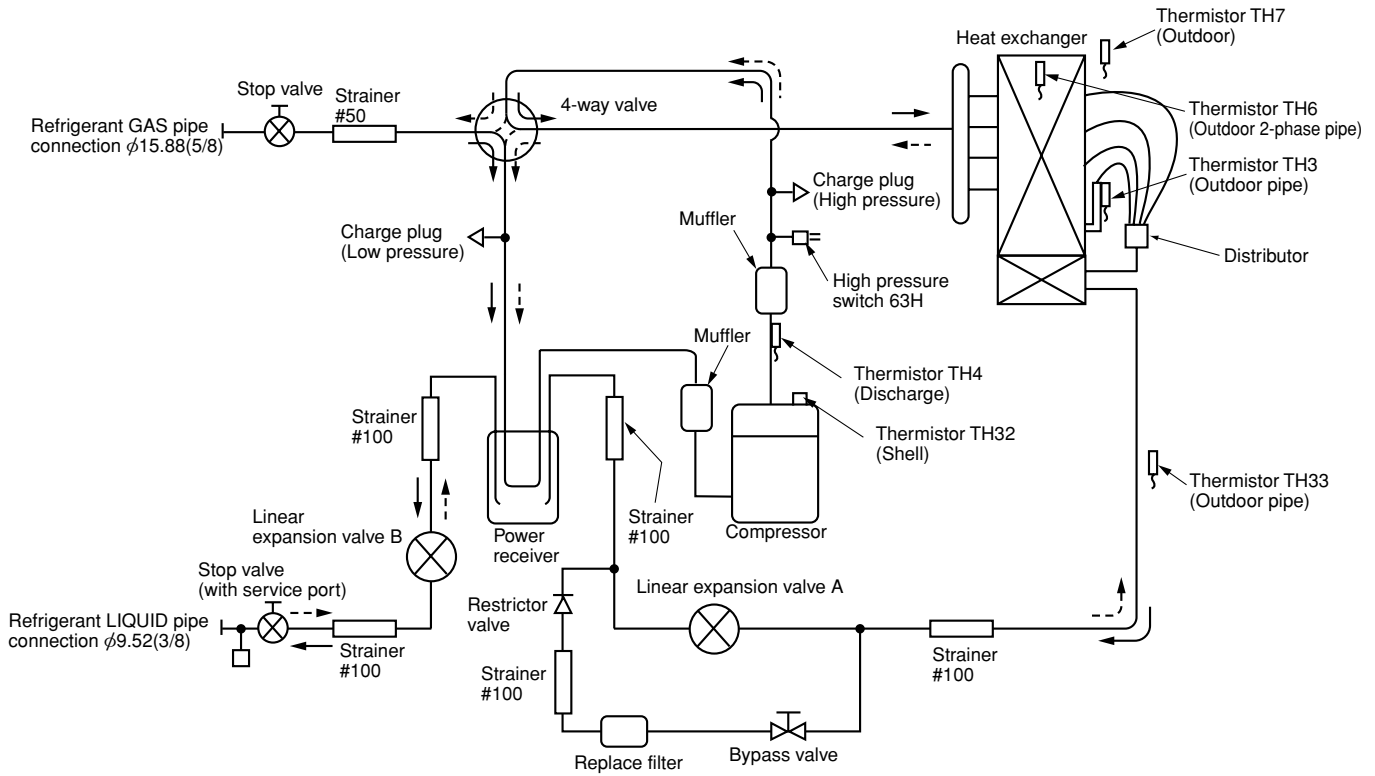


PUHZ-RP60VHA2 PUHZ-RP71VHA2

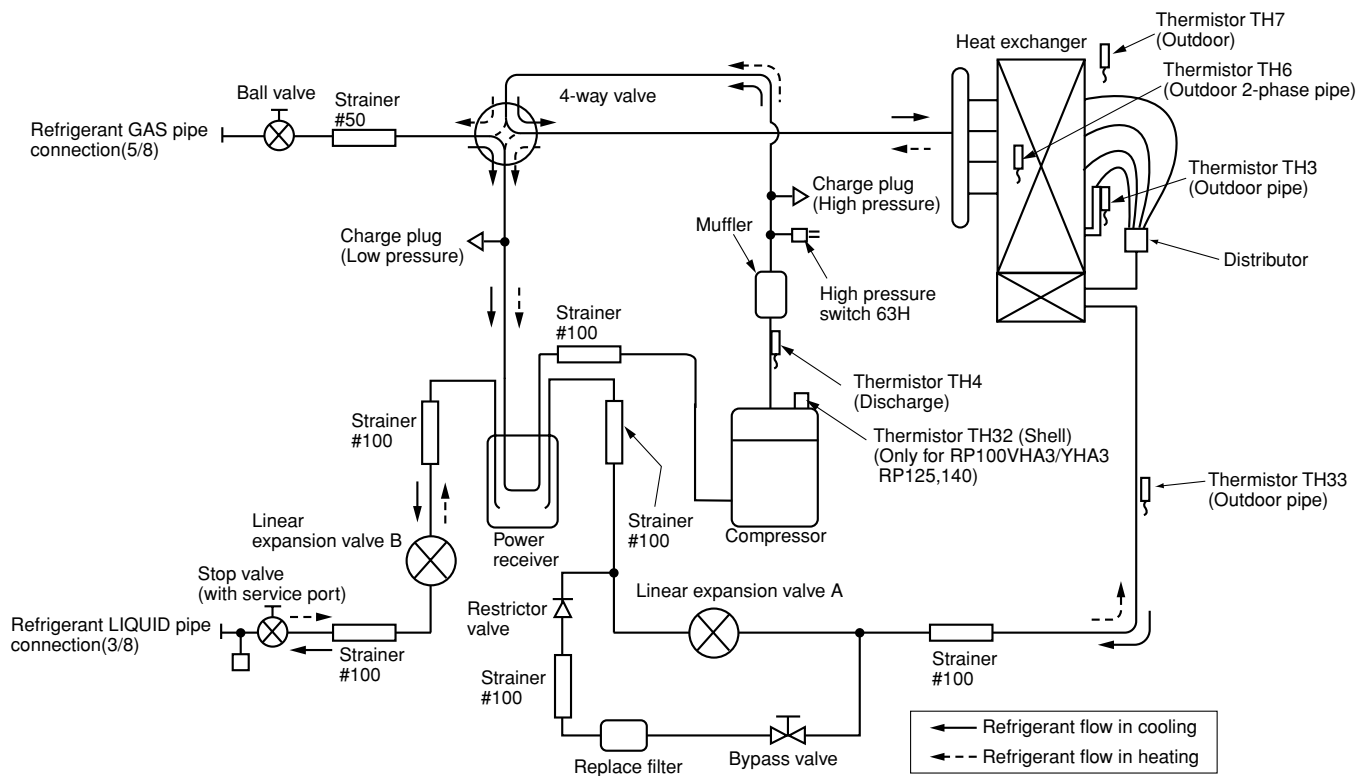


PUHZ-RP60VHA3 PUHZ-RP71VHA3

unit : mm(inch)

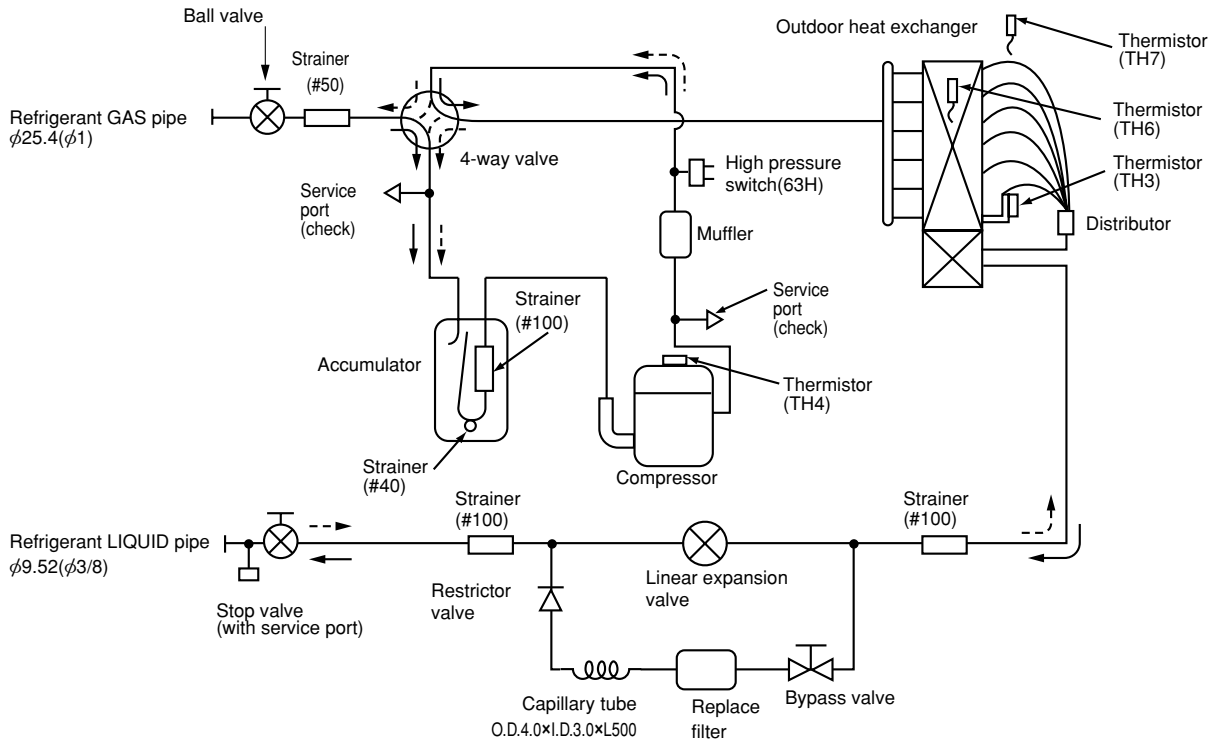
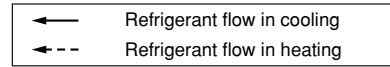


PUHZ-RP100VHA2 PUHZ-RP125VHA2 PUHZ-RP140VHA2
PUHZ-RP100YHA2 PUHZ-RP125YHA2 PUHZ-RP140YHA2
PUHZ-RP100VHA3 PUHZ-RP100YHA3

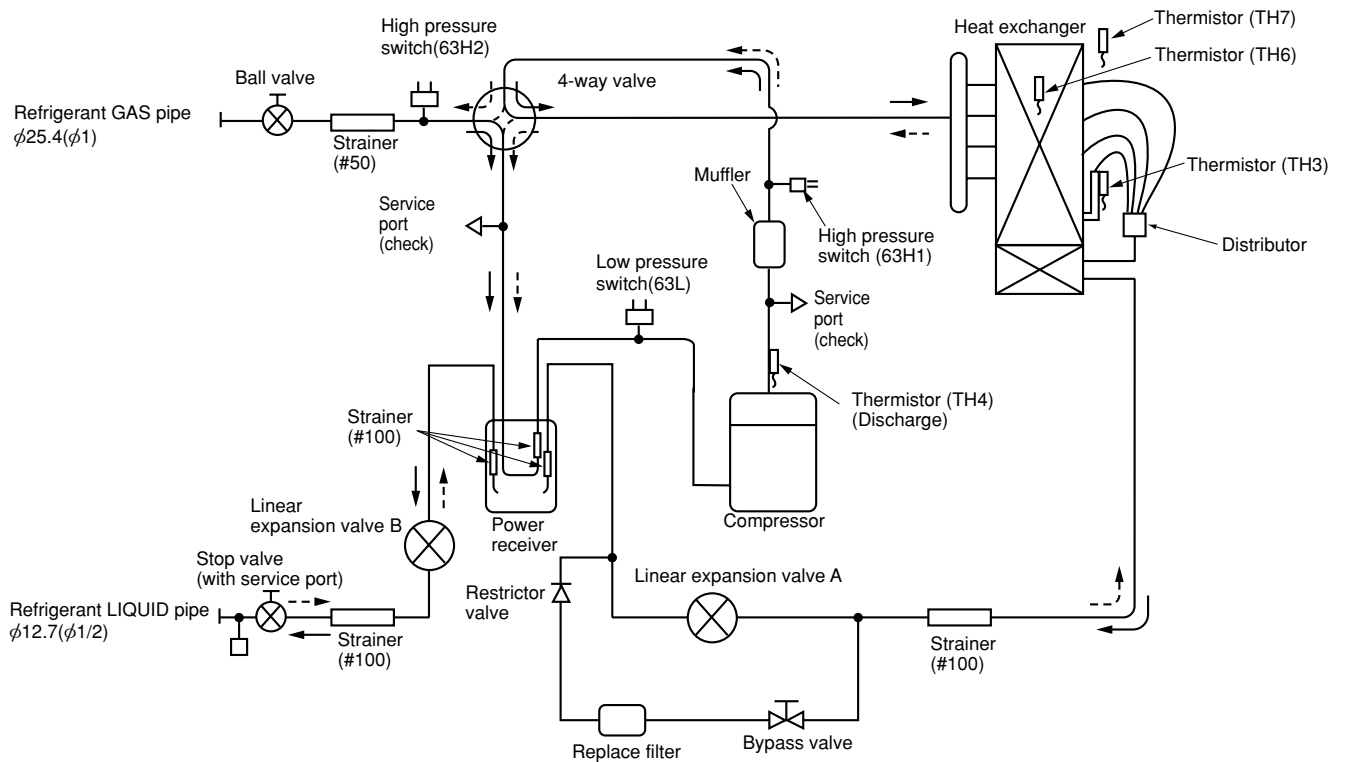


Unit : mm (inch)

PUHZ-RP200YHA2

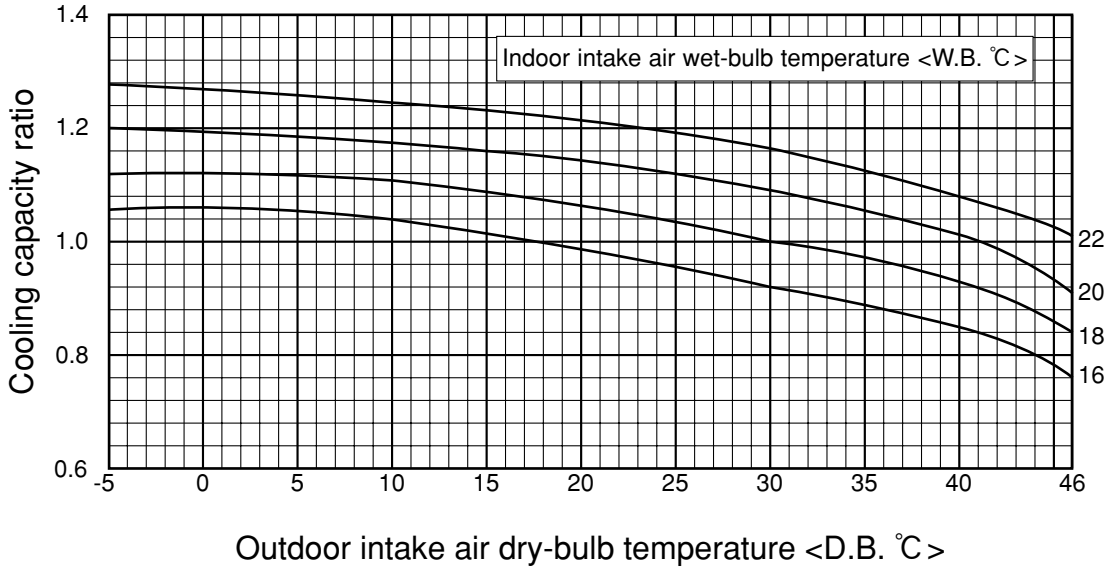


PUHZ-RP250YHA2

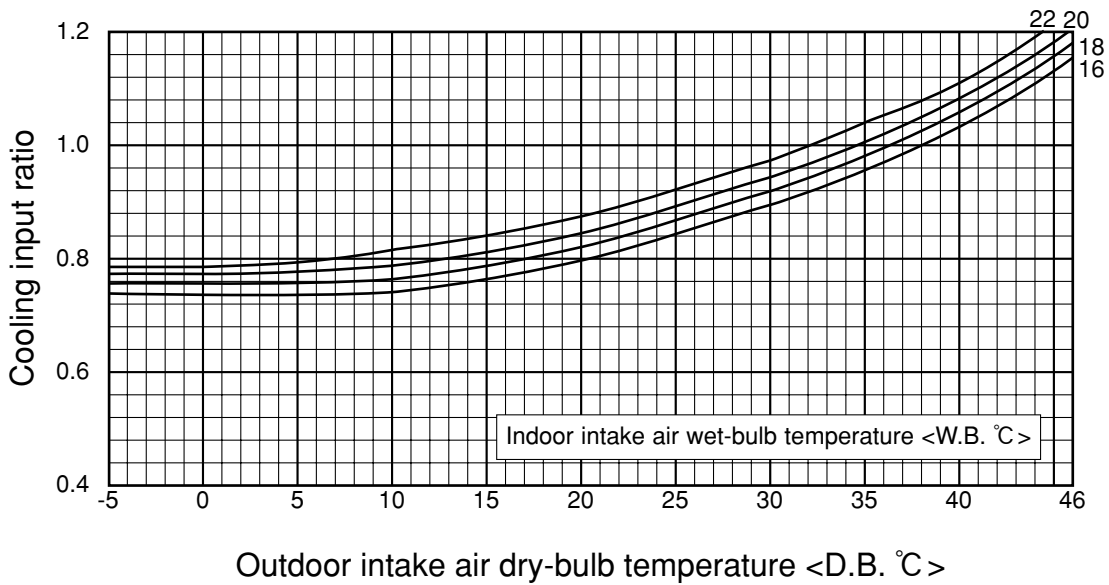


FOR THE COMBINATION OF OUTDOOR UNIT

Cooling capacity

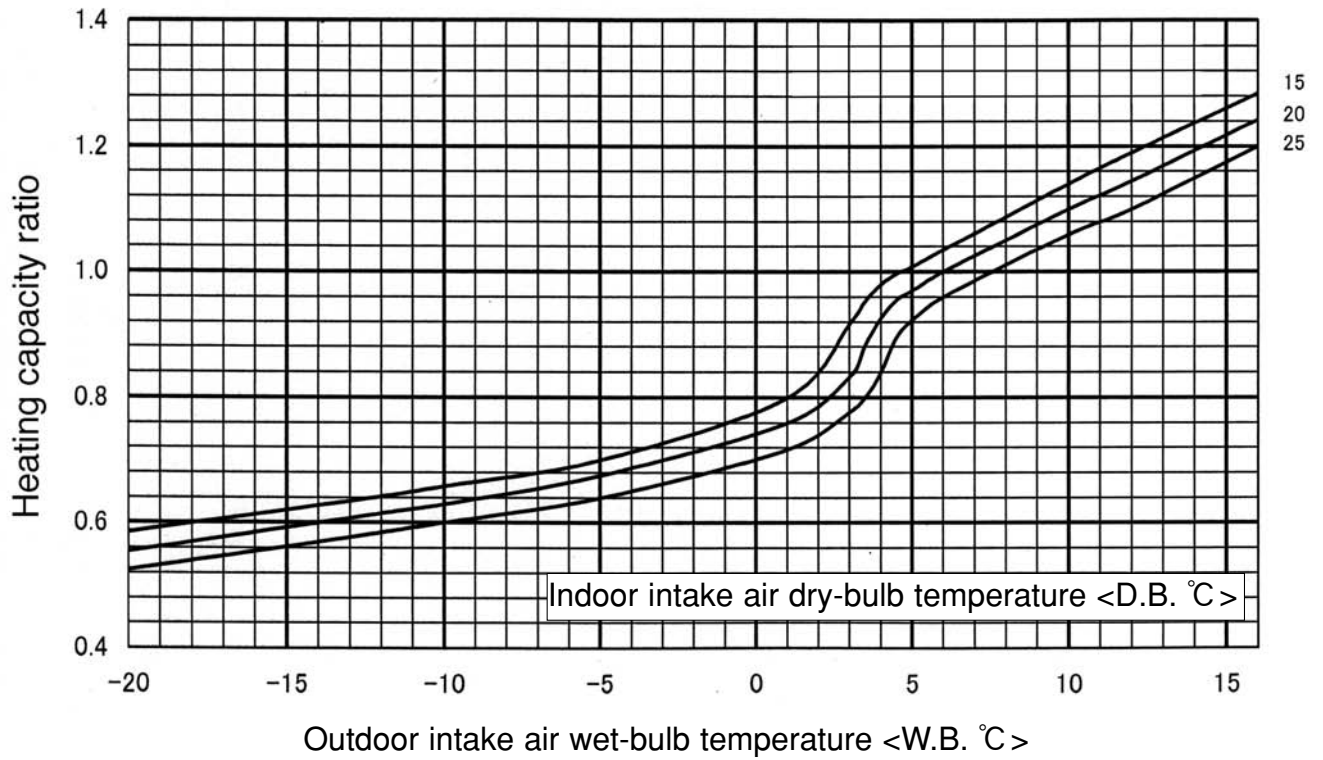


Cooling input

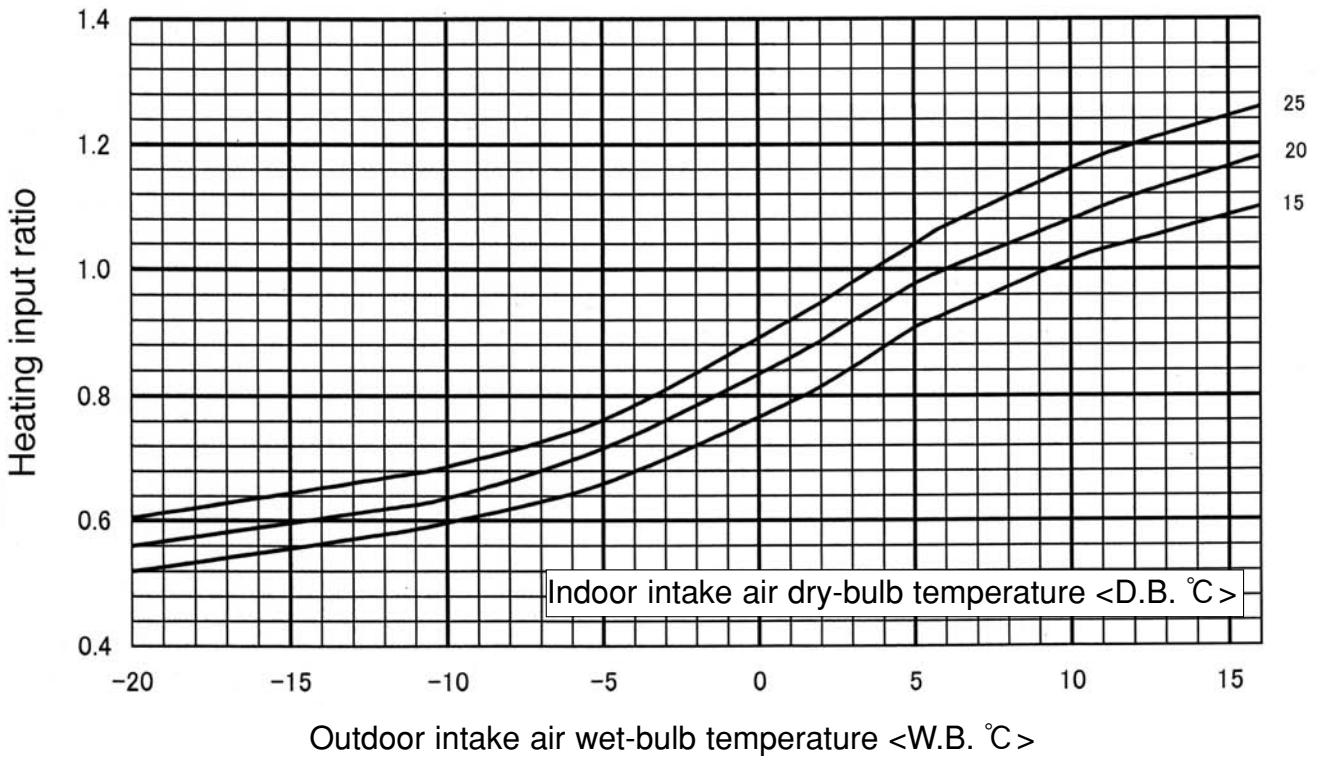


Note : These diagrams show the case where the operation frequency of a compressor is fixed.

Heating capacity



Heating input



Note : These diagrams show the case where the operation frequency of a compressor is fixed.

7-1. PUAZ-RP·VHA2 PUAZ-RP100-140YHA2 PUAZ-RP·VHA3 PUAZ-RP100YHA3

Cooling capacity correction factors

Outdoor unit	Refrigerant piping length (one way)									
	5m	10m	20m	30m	40m	50m	55m	60m	70m	80m
PUHZ-RP35VHA2 PUHZ-RP35VHA3	1.00	0.992	0.976	0.962	0.949	0.936	0.930	—	—	—
PUHZ-RP50VHA2 PUHZ-RP50VHA3	1.00	0.985	0.957	0.931	0.908	0.886	0.876	—	—	—
PUHZ-RP60VHA2 PUHZ-RP60VHA3	1.00	0.992	0.976	0.962	0.949	0.936	0.930	—	—	—
PUHZ-RP71VHA2 PUHZ-RP71VHA3	1.00	0.988	0.966	0.946	0.929	0.913	0.905	—	—	—
PUHZ-RP100VHA2 PUHZ-RP100VHA3 PUHZ-RP100YHA2 PUHZ-RP100YHA3	1.00	0.985	0.957	0.931	0.908	0.886	0.876	0.865	0.846	0.829
PUHZ-RP125VHA2 PUHZ-RP125YHA2	1.00	0.981	0.946	0.914	0.885	0.858	0.845	0.834	0.812	0.792
PUHZ-RP140VHA2 PUHZ-RP140YHA2	1.00	0.976	0.931	0.893	0.858	0.827	0.813	0.800	0.775	0.753

Heating capacity correction factors

Outdoor unit	Refrigerant piping length (one way)									
	5m	10m	20m	30m	40m	50m	55m	60m	70m	80m
PUHZ-RP35VHA2 PUHZ-RP35VHA3	1.00	0.997	0.991	0.985	0.979	0.973	0.970	—	—	—
PUHZ-RP50VHA2 PUHZ-RP50VHA3	1.00	0.997	0.991	0.985	0.979	0.973	0.970	—	—	—
PUHZ-RP60VHA2 PUHZ-RP60VHA3	1.00	0.997	0.991	0.985	0.979	0.973	0.970	—	—	—
PUHZ-RP71VHA2 PUHZ-RP71VHA3	1.00	0.997	0.991	0.985	0.979	0.973	0.970	—	—	—
PUHZ-RP100VHA2 PUHZ-RP100VHA3 PUHZ-RP100YHA2 PUHZ-RP100YHA3	1.00	0.997	0.991	0.985	0.979	0.973	0.970	0.967	0.961	0.955
PUHZ-RP125VHA2 PUHZ-RP125YHA2	1.00	0.997	0.991	0.985	0.979	0.973	0.970	0.967	0.961	0.955
PUHZ-RP140VHA2 PUHZ-RP140YHA2	1.00	0.997	0.991	0.985	0.979	0.973	0.970	0.967	0.961	0.955

7-2. PUAZ-RP200, 250YHA2

Cooling capacity correction factors

Outdoor unit	Refrigerant piping length (one way)							
	5m	10m	20m	30m	40m	50m	55m	60m
PUHZ-RP200YHA2	1.00	0.985	0.958	0.931	0.908	0.887	0.876	0.865
PUHZ-RP250YHA2	1.00	0.981	0.946	0.914	0.885	0.858	0.845	0.834

Outdoor unit	Refrigerant piping length (one way)							
	70m	75m	80m	90m	100m	110m	120m	125m
PUHZ-RP200YHA2	0.847	0.838	0.829	0.815	0.800	0.790	0.780	0.778
PUHZ-RP250YHA2	0.812	0.802	0.792	0.772	0.758	0.743	0.730	0.725

Heating capacity correction factors

Outdoor unit	Refrigerant piping length (one way)							
	5m	10m	20m	30m	40m	50m	55m	60m
PUHZ-RP200YHA2 PUHZ-RP250YHA2	1.00	0.997	0.991	0.985	0.979	0.973	0.970	0.967

Outdoor unit	Refrigerant piping length (one way)							
	70m	75m	80m	90m	100m	110m	120m	125m
PUHZ-RP200YHA2 PUHZ-RP250YHA2	0.961	0.958	0.955	0.949	0.943	0.937	0.931	0.928

8-1. PUAZ-RP·VHA2 PUAZ-RP100-140YHA2 PUAZ-RP·VHA3 PUAZ-RP100YHA3

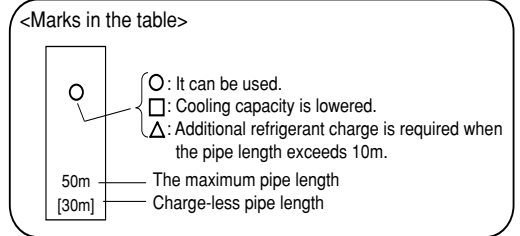
8-1-1. PIPE LENGTH

(1) 1:1 SYSTEM

Pipe length

<Table 1> Maximum pipe length

Liquid pipe (mm)	OD	φ6.35			φ9.52			φ12.7	
	Thickness	t0.8			t0.8			t0.8	
Gas pipe (mm)	OD	φ9.52	φ12.7	φ15.88	φ12.7	φ15.88	φ19.05	φ15.88	φ19.05
	Thickness	t0.8	t0.8	t1.0	t0.8	t1.0	t1.0	t1.0	t1.0
RP35·50	□ 30m *1 [30m]	Standard size 50m [30m]	○*2 30m [30m]	△ 30m [20m]	△*2 30m [20m]	/	/	/	/
RP60·71	/	□ 10m [10m]	○ 10m [10m]	□ 30m [30m]	Standard size 50m [30m]	/	△ 30m [20m]	/	/
RP100-140	/	/	/	/	Standard size 50m *3 [30m]	○ 50m [30m]	△ 50m [20m]	△ 50m [20m]	/



- *1. RP50 : maximum pipe length is 10m.
- *2. Change the SW8-1 on the outdoor controller circuit board from OFF to ON.
- *3. The maximum length is 75m in case of new pipes.

(2) TWIN AND TRIPLE SYSTEM

(a) TWIN SYSTEM

<Table 2> Maximum pipe length

Main pipe (mm) [A]	Liquid pipe	RP71 (RP35×2)			RP100 (RP50×2)			RP125 (RP60×2) · RP140 (RP71×2)		
		φ6.35	φ9.52	φ15.88	φ9.52	φ9.52	φ12.7	φ9.52	φ9.52	φ12.7
Branch pipe (mm) [B, C]	Gas pipe	φ12.7	φ15.88	φ15.88	φ15.88	φ19.05	φ19.05	φ15.88	φ19.05	φ19.05
	Liquid pipe φ6.35	/	Standard size 50m	Standard size 50m * [30m]	○ 50m [30m]	△ 50m [20m]	/	/	/	/
	Gas pipe φ12.7	/	Standard size 50m * [30m]	○ 50m [30m]	○ 50m [30m]	△ 50m [20m]	Standard size 50m * [30m]	○ 50m [30m]	△ 50m [20m]	/
	Liquid pipe φ9.52	/	○ 50m [30m]	○ 50m [30m]	○ 50m [30m]	△ 50m [20m]	Standard size 50m * [30m]	○ 50m [30m]	△ 50m [20m]	/
	Gas pipe φ15.88	/	○ 50m [30m]	○ 50m [30m]	○ 50m [30m]	△ 50m [20m]	Standard size 50m * [30m]	○ 50m [30m]	△ 50m [20m]	/
	Liquid pipe φ12.7	/	/	/	/	/	/	/	/	/

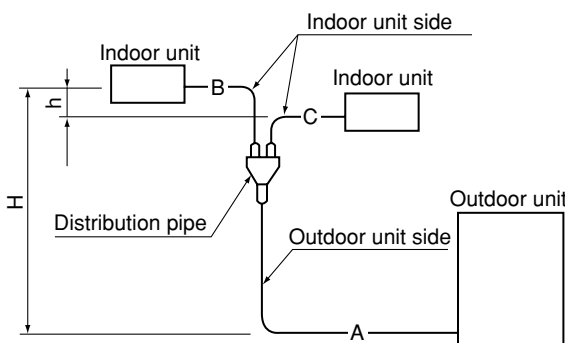
* The maximum length is 75m in case of new pipes.

(b) TRIPLE SYSTEM

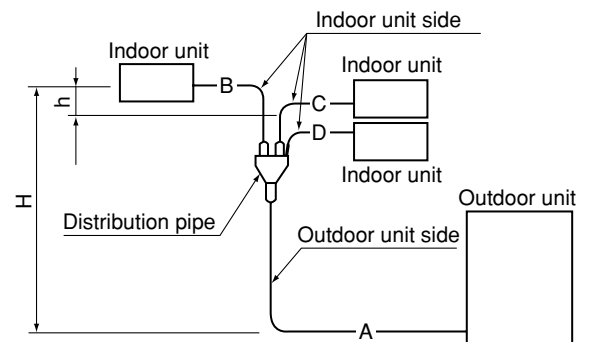
<Table 3> Maximum pipe length

Main pipe (mm) [A]	Liquid pipe	RP140 (RP50×3)		
		φ9.52	φ9.52	φ12.7
Branch pipe (mm) [B, C, D]	Gas pipe	φ15.88	φ19.05	φ19.05
	Liquid pipe φ6.35	Standard size 50m * [30m]	○ 50m [30m]	△ 50m [20m]
	Gas pipe φ12.7	Standard size 50m * [30m]	○ 50m [30m]	△ 50m [20m]
	Liquid pipe φ9.52	○ 50m [30m]	○ 50m [30m]	△ 50m [20m]
	Gas pipe φ15.88	○ 50m [30m]	○ 50m [30m]	△ 50m [20m]
	Liquid pipe φ12.7	/	/	/

* The maximum length is 75m in case of new pipes.



<TWIN SYSTEM>
 Total length A + B + C
 RP71 : 50 m
 RP100-140: 75 m



<TRIPLE SYSTEM>
 Total length A + B + C + D
 RP140: 75 m

8-1-2. ADJUSTING THE AMOUNT OF REFRIGERANT

- Check additional refrigerant charging amount referring to table 5, 6 when liquid pipe is 1 size larger than standard diameter.

<Table 5> Required additional charge when the pipe size is 1 size larger than the standard diameter (1:1 SYSTEM)

Outdoor unit	Liquid pipe O.D.	Refrigerant amount to be added
PUHZ-RP35,50	φ9.52	60 g per 1 m
PUHZ-RP60,71	φ12.7	100 g per 1 m
PUHZ-RP100~140	φ12.7	100 g per 1 m

<Table 6> Required additional charge when the pipe size is 1 size larger than the standard diameter (TWIN/TRIPLE SYSTEM)

Outdoor unit	When the extension pipe length (main piping + branch piping) exceeds 20 m
PUHZ-RP71~140	Additional refrigerant amount $\Delta W(g) = (100 \times L1) + (60 \times L2) + (30 \times L3) - 2000$

If the calculation produces a negative number ($\Delta W \leq 0$), additional charging is not necessary.

L1: φ12.7 liquid pipe length (m)

L2: φ9.52 liquid pipe length (m)

L3: φ6.35 liquid pipe length (m)

<Table 7> Additional refrigerant charging amount for pipe of standard diameter

Type	Outdoor unit	Permitted pipe length	Amount of unit filling refrigerant (kg)	Additional refrigerant charging amount for pipe length exceeding 30 m (kg)				
				31 – 40m	41 – 50m	51 – 60m	61 – 70m	71 – 75m
1 : 1 system	PUHZ-RP35,50	50m or less	2.5kg	0.2kg	0.4kg	/	/	/
	PUHZ-RP71		3.5kg	0.6kg	1.2kg	/	/	
	PUHZ-RP100~140	75m or less	5.0kg	0.6kg	1.2kg	1.8kg	2.4kg	

Type	Outdoor unit	Permitted pipe length	Amount of unit filling refrigerant (kg)	Additional refrigerant charging amount for pipe length exceeding 30 m (kg)				
				31 – 40m	41 – 50m	51 – 60m	61 – 70m	71 – 75m
Twin Triple system	PUHZ-RP71	50m or less	3.5kg	0.6kg	1.2kg	/	/	/
	PUHZ-RP100~140	75m or less	5.0kg	0.6kg	1.2kg	1.8kg	2.4kg	

8-1-3. CAPACITY CORRECTION CURVES

Cooling and heating capacity is lowered according to pipe length. Capacity can be obtained by referring to the capacity curves below. When the diameter of gas pipe is 1 size smaller than standard diameter, cooling capacity is lowered comparing to the standard diameter. The lowered capacity can be obtained by referring to capacity curves for gas pipe which is 1 size smaller than standard size.

$$\text{Corrected pipe length (m)} = \text{actual pipe length (m)} + \text{number of bends} \times 0.3 \text{ (m)}$$

[Sample calculation]

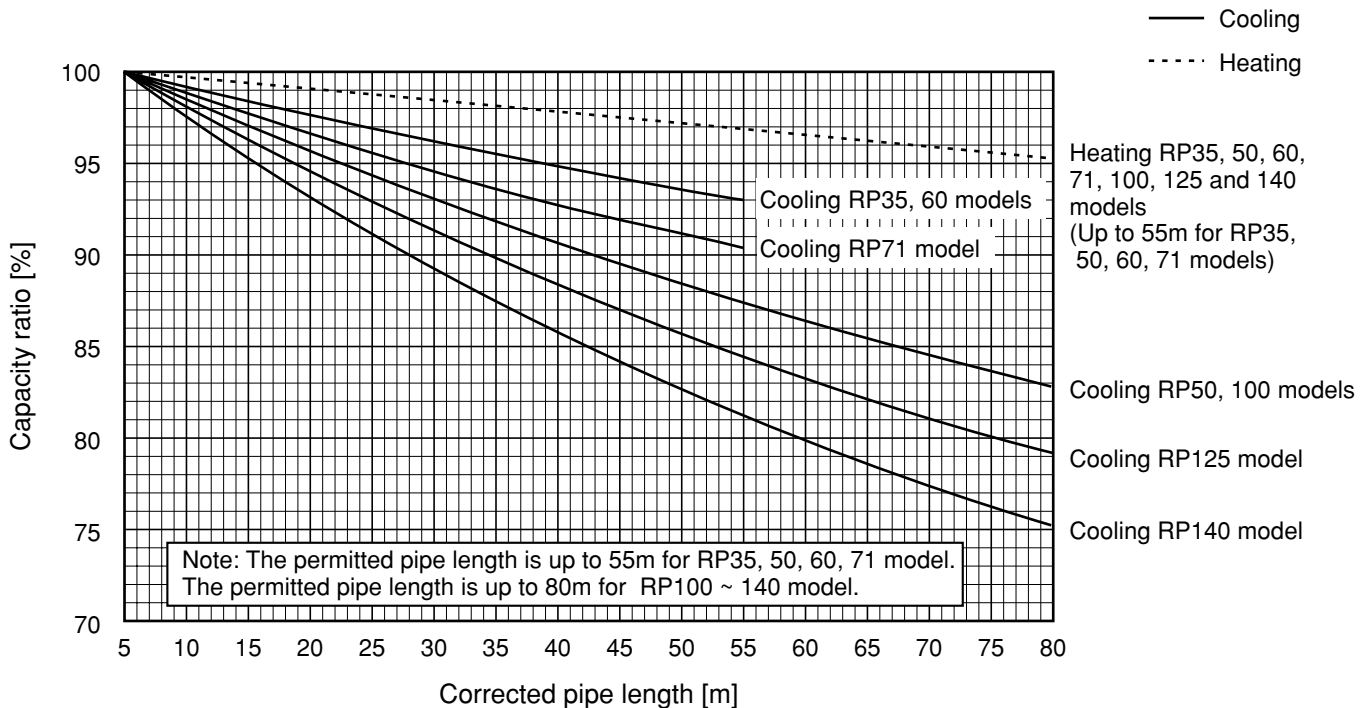
Indoor unit RP60 × 2 units (Twin system)

Outdoor unit RP125 × 1

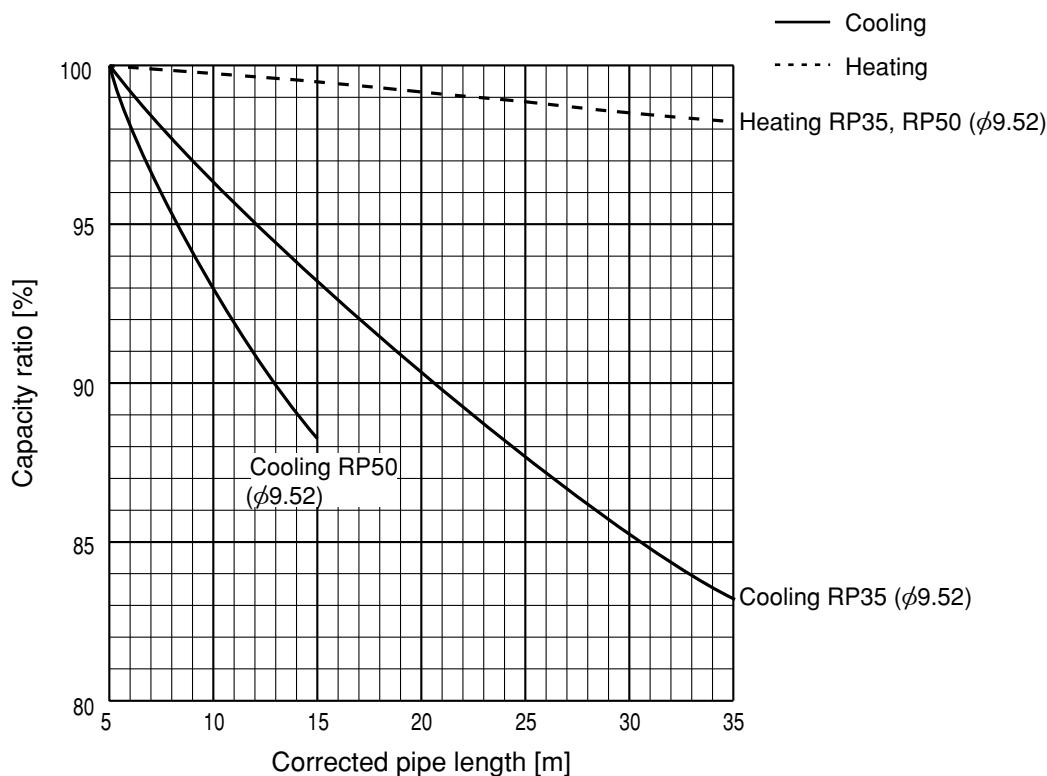
- Condition Using existing pipes.
 - Outdoor unit side
 - Liquid pipe $\phi 12.7$ / Gas pipe $\phi 19.05$
 - pipe length (A) 20m
 - Indoor unit side
 - Liquid pipe $\phi 9.52$ / Gas pipe $\phi 15.88$
 - pipe length (B) 20m + (C) 15m

- 1) Farthest piping length 20m + 15m = 35m
Number of bends : 10
- 2) Corrected piping length 35m + 0.3 × 10 = 38m
- 3) Capacity correction Outdoor unit side's gas pipe $\phi 19.05$
Standard $\phi 15.88 \rightarrow 1$ size up
Refer to ①Capacity curves <Standard size>
- 4) Capacity Cooling capacity = Standard cooling capacity × 0.89
Heating capacity = Standard heating capacity × 0.98

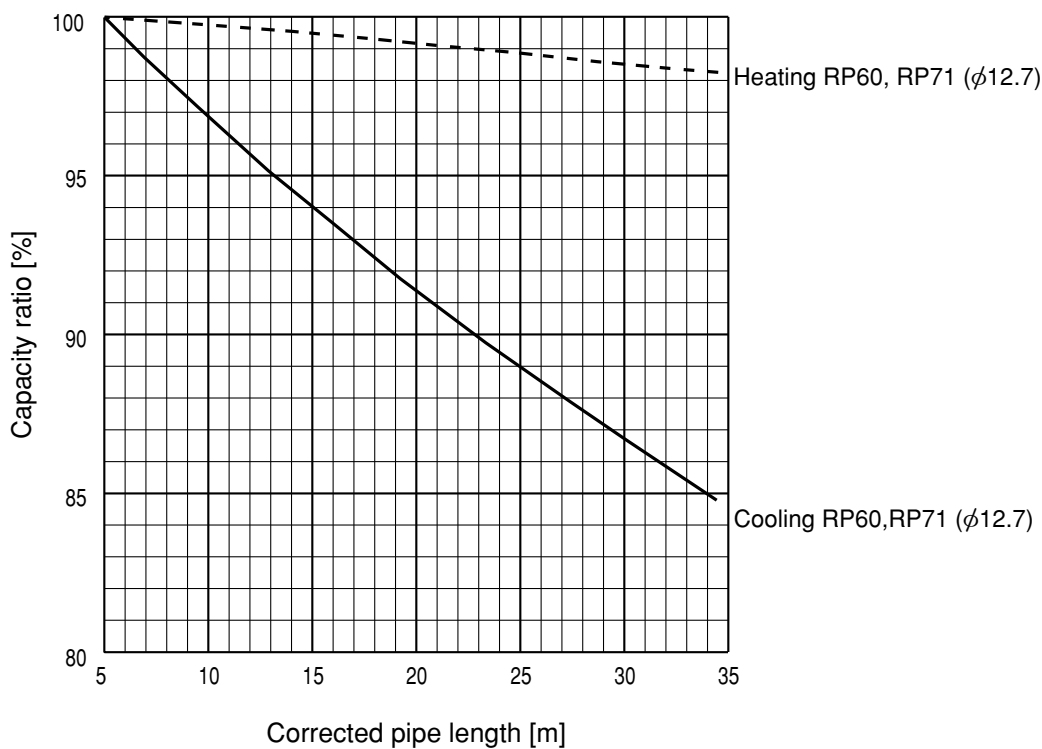
① Capacity curves for PUHZ-RP · HA2 model <Standard size>



② Capacity curve for PUAZ-RP35, 50 models
 <When gas pipe is 1 size smaller than standard size>



③ Capacity curve for PUAZ-RP60, 71 models
 <When gas pipe is 1 size smaller than standard size>



④ When gas pipe is one size larger than standard size for PUAZ-RP100, 125 and 140.

① Capacity can be obtained by referring to capacity curves of standard size.

8-2. PUAZ-RA200·250YHA2

8-2-1. 1:1 SYSTEM

(1) Pipe length

<Table 1> Maximum pipe length (RA200·RA250)

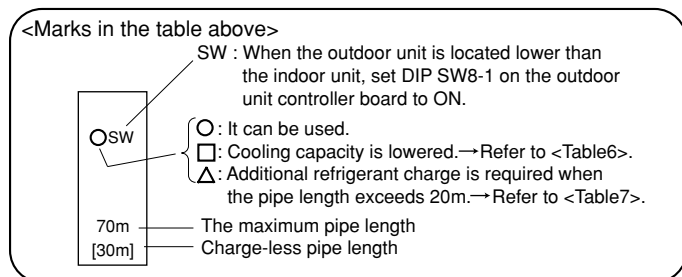
Liquid pipe (mm)	OD	φ9.52				φ12.7				φ15.88			
	Thick-ness	t0.8				t0.8				t1.0			
gas pipe (mm)	OD	φ19.05	φ22.2	φ25.4	φ28.58	φ19.05	φ22.2	φ25.4	φ28.58	φ22.2	φ25.4	φ28.58	φ31.75
	Thick-ness	t1.0	t1.0	t1.0	t1.0	t1.0	t1.0	t1.0	t1.0	t1.0	t1.0	t1.0	t1.0
RA200		□ 20m [20m]	□ 50m [30m]	Standard size 70m*1 [30m]	○ ^{SW} 70m [30m]	□ 20m [20m]	□ 50m [30m]	○ 70m [30m]	○ ^{SW} 70m [30m]	△□ 50m [20m]	△ 50m [20m]	△ ^{SW} 50m [20m]	*2 △ ^{SW} 50m [20m]
RA250		□ 20m [20m]	□ 50m [30m]	○ 70m [30m]	○ ^{SW} 70m [30m]	□ 20m [20m]	□ 50m [30m]	Standard size 70m*1 [30m]	○ ^{SW} 70m [30m]	△□ 50m [20m]	△ 50m [20m]	△ ^{SW} 50m [20m]	*2 △ ^{SW} 50m [20m]

Note :

*1 The maximum pipe length is 120m in case of new piping.

*2 When using φ31.75 pipe, the outdoor temperature range (dry-bulb temperature) for heating operation is -11 to +21°C.

• Be sure to use hard (tempered) one for pipe over φ22.2(RA200)/ φ19.05(RA250).(Do not use soft (annealed) one.)



(2) Adjusting the amount of refrigerant

Check additional refrigerant charging amount referring to table 7 when the liquid pipe diameter is 1 size larger than the standard size, and table 2 when the pipe of the standard diameter is used.

<Table 2>

Outdoor unit	permitted pipe length	Initial charge (kg)	Amount of additional refrigerant charge (kg)					
			30 m and less	31-40 m and less	41-50 m and less	51-60 m and less	61-70 m and less	71-120 m and less
RA200	120m or less	6.5	No additional charge necessary	0.9 kg	1.8 kg	2.7 kg	3.6 kg	The additional charge amount is obtained by the following formula.
RA250		7.1		1.2 kg	2.4 kg	3.6 kg	4.8 kg	

Calculate the additional charge amount based on the following procedure.

If the calculation results in an amount that is smaller than the "Additional charge amount for 70m," perform the additional charge using the amount shown in "Additional charge amount for 70m."

$$\begin{aligned}
 \text{Amount of additional charge [kg]} &= \text{Main piping: Liquid line size } \phi 12.7 \text{ over all length [m]} \times 0.12 \text{ [kg/m]} \\
 &+ \text{Main piping: Liquid line size } \phi 9.52 \text{ overall length [m]} \times 0.09 \text{ [kg/m]} \\
 &+ \text{Branch piping: Liquid line size } \phi 9.52 \text{ overall length [m]} \times 0.06 \text{ [kg/m]} \\
 &+ \text{Branch piping: Liquid line size } \phi 6.35 \text{ overall length [m]} \times 0.02 \text{ [kg/m]} \\
 &- 3.6 \text{ (kg)}
 \end{aligned}$$

Additional charge amount for 70 m	RA200	3.6 kg
	RA250	4.8 kg

•If the wiring connecting the indoor and outdoor units is longer than 80m, use separate indoor /outdoor unit power supplies.

(3) Capacity correction

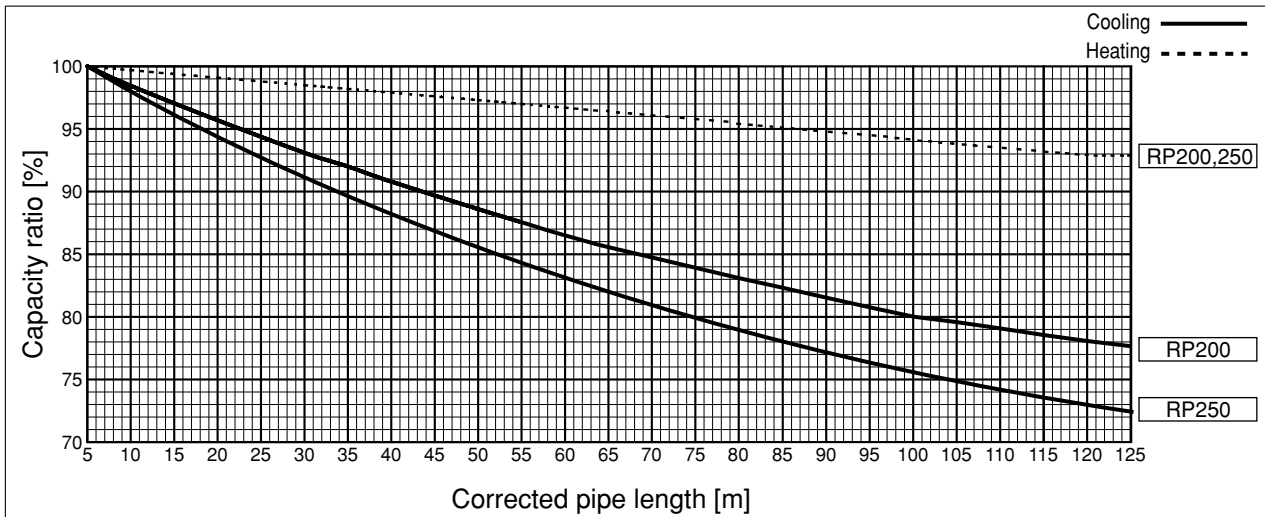
Cooling and heating capacity is lowered according to the piping length. Capacity can be obtained by referring to the following capacity curves.

When the diameter of the gas pipe is smaller than the standard size, cooling capacity is lowered comparing to the operation using the standard diameter pipe.

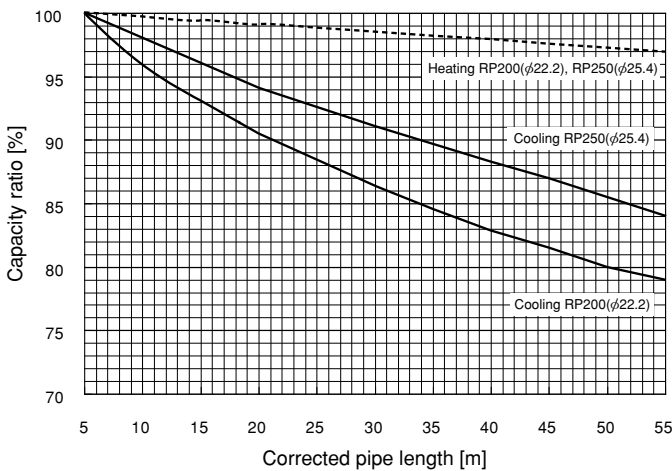
The lowered capacity can be obtained by referring to the capacity curves for gas pipe which is 1 or 2 size smaller than standard size.

Corrected pipe length (m) = actual pipe length (m) + number of bends × 0.3 (m)

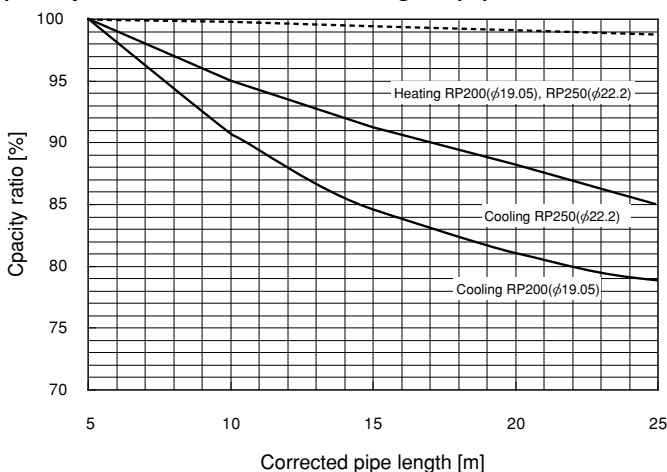
1. Capacity curves 1 <Standard size>



2. Capacity curves 2 <When the gas pipe's diameter is 1-size-smaller than the standard size>



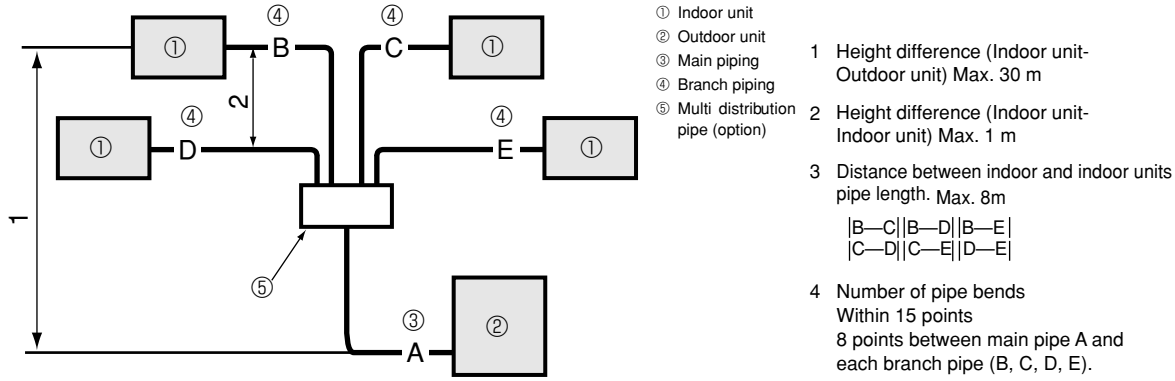
3. Capacity curves 3 <When the gas pipe's diameter is 2-size-smaller than the standard size>



Pipe diameter and thickness

OD (mm)	φ6.35	φ9.52	φ12.7	φ15.88	φ19.05	φ22.2	φ25.4	φ28.58	φ31.75
Thickness (mm)	0.8	0.8	0.8	1.0	1.0	1.0	1.0	1.0	1.1

Be sure to use hard (tempered) one for pipe over φ19.05(RP250)/φ22.2(RP200). (Do not use soft (annealed) one.)



<Table 6> Lowered cooling capacity by the smaller gas pipe diameter

Pipe length	Cooling capacity ratio	
	gas pipe φ22.2	gas pipe φ19.05
5m and less	100%	100%
6~10m	100~95%	100~88%
11~20m	95~88%	88~77%
21~30m	88~83%	—
31~40m	83~79%	—
41~50m	79~75%	—

<Table 7> Additional refrigerant amount when the liquid pipe of the larger diameter is used.
 (Single / Simultaneous Twin / Simultaneous Triple / Simultaneous Quadruple)

Capacity	When the extension pipe length (main piping + branch piping) exceeds 20m
RP200, RP250	Additional refrigerant amount $\Delta W(g) = (180 \times L_1) + (120 \times L_2) + (90 \times L_3) + (30 \times L_4) - 3000$

L_1 : φ15.88 liquid pipe (m) L_2 : φ12.7 liquid pipe (m)
 L_3 : φ9.52 liquid pipe (m) L_4 : φ6.35 liquid pipe (m)

If the calculation produces a negative number (i.e. a "minus" charge), additional charging is not necessary.
 ($\Delta W \geq 0$)

<Table 8>

Outdoor unit	Permissible total piping length A+B+C+D+E	A+B or A+C or A+D or A+E	Charge-less piping length A+B+C+D+E
RP200 PR250	120 m and less	100 m and less	30 m and less

<Table 9>

Outdoor unit	$ B-C $ or $ B-D $ or $ B-E $ or $ C-D $ or $ C-E $ or $ D-E $	Number of pipe bends
RP200 RP250	8 m and less	Within 15

<Table 10>

Outdoor unit	permitted pipe length	At time of shipping (kg)	A+B+C+D					71-120 m and less
			Amount of additional refrigerant charge (kg)					
			30 m and less	31-40 m and less	41-50 m and less	51-60 m and less	61-70 m and less	
RP200	120m or less	6.5	No additional charge necessary	0.9 kg	1.8 kg	2.7 kg	3.6 kg	The additional charge amount is obtained by the following formula.
RP250		7.1		1.2 kg	2.4 kg	3.6 kg	4.8 kg	

When length exceeds 70 m

When the total length of the piping exceeds 70 m, calculate the amount of additional charge based on the following requirements.
 Note: If the calculation produces a negative number (i.e. a "minus" charge), or if calculation results in an amount that is less than the "Additional charge amount for 70 m," perform the additional charge using the amount shown in "Additional charge amount for 70 m."

Amount of additional charge	=	Main piping: Liquid line size φ12.7 overall length 0.12	+	Main piping: Liquid line size φ9.52 overall length 0.09 (Gas line: φ28.58)	+	Branch piping: Liquid line size φ9.52 overall length 0.06 (Gas line: φ15.88)	+	Branch piping: Liquid line size φ6.35 overall length 0.02 (Gas line: φ15.88)	-	3.6 (kg)
-----------------------------	---	--	---	---	---	--	---	--	---	----------

Additional charge amount for 70 m	RP200	3.6 kg
	RP250	4.8 kg

1. Perform refrigerant piping connections for the indoor / outdoor unit while the outdoor unit's stop valve is completely closed (Initial setting), and then vacuumize the refrigerant lines through the service port of the outdoor unit.
2. Open the stop valves of the outdoor unit completely.
 This will completely connects the refrigerant circuits of the indoor and outdoor units.
 Stop valve opening method is shown on the outdoor unit's installation manual.

Note :

- Apply refrigerating machine oil over the flare seat surface. Do not apply to the threaded portion. (It will cause the flare nut to loosen.)
- Use 2 wrenches to tighten piping connection.
- Use leak detector or soapy water to check for gas leaks after connections are completed.
- For the insulation of the connection at the indoor side, make sure to use the attached insulation materials and thoroughly follow the instruction shown in the manual.
- Always use a non-oxidizing brazing material when brazing the pipes.

Adjusting the amount of refrigerant

Check additional refrigerant charging amount referring to the procedure ② below when the liquid pipe diameter of the main piping A is larger than the standard size.

- ① When the standard diameter pipe is used for the main piping A, calculate the additional refrigerant amount by referring to <Table 2> as well as the 1:1 system.
- ② When the liquid pipe diameter of the main piping A is one size larger than the standard size:
 - When the extension pipe length (main piping + branch piping) does not exceed 20m, adjustment of the refrigerant is not necessary (charge-less).
 - When the extension pipe length (main piping + branch piping) exceeds 20m, charge the amount of refrigerant that is obtained by the formula shown in <Table 7>.

If the calculation produces a negative number (i.e. a "minus" charge), additional charging is not necessary.

Note: Apply 0 to L₁, L₂, L₃ and L₄ which correspond to the liquid pipe size that are not used.

Correcting the capacity value

When calculating the lowered capacity by the extension pipe length, use the longest length between the indoor and the outdoor units.

9-1. OUTLET AIR SPEED AND COVERAGE RANGE

		PLA-RP35BA	PLA-RP50BA	PLA-RP60BA	PLA-RP71BA PLA-RP71BA2	PLA-RP100BA PLA-RP100BA2	PLA-RP125BA PLA-RP125BA2	PLA-RP140BA
Airflow	m ³ /min.	15	18	18	21	30	31	32
Air speed	m/sec.	2.6	3.2	3.2	3.7	5.3	5.4	5.6
Coverage range	m	4.1	4.8	4.8	5.6	8.0	8.2	8.5

		PLA-RP35AA	PLA-RP50AA	PLA-RP60AA	PLA-RP71AA	PLA-RP100AA2	PLA-RP125AA2	PLA-RP140AA2
Airflow	m ³ /min.	14	18	18	20	28	30	30
Air speed	m/sec.	2.8	3.6	3.6	4.0	4.9	6.6	6.6
Coverage range	m	4.0	5.2	5.2	5.7	7.4	8.9	8.9

		PCA-RP50GA	PCA-RP50GA2 PCA-RP60GA	PCA-RP71GA	PCA-RP100GA	PCA-RP125GA	PCA-RP140GA
Airflow	m ³ /min	13	18	18	25	34	34
Air speed	m/sec	3.7	3.8	3.8	4.1	4.4	4.4
Coverage range	m	8.8	10.4	10.4	12.6	15.2	15.2

		PCA-RP71HA	PCA-RP125HA
Airflow	m ³ /min	19	38
Air speed	m/sec	2.9	4.2
Coverage range	m	7.9	13.2

		PKA-RP35GAL	PKA-RP50GAL
Airflow	m ³ /min	12	12
Air speed	m/sec	5.3	5.3
Coverage range	m(ft)	10(32.8)	10(32.8)

		PKA-RP50FAL2 PKA-RP60FAL	PKA-RP71FAL	PKA-RP100FAL
Airflow	m ³ /min	20	20	28
Air speed	m/sec	4.9	4.9	5.4
Coverage range	m(ft)	12.4(40.7)	12.4(40.7)	15.3(50.2)

		PSA-RP71GA	PSA-RP100GA	PSA-RP125GA	PSA-RP140GA
Airflow	m ³ /min	18	31	33	35
Air speed	m/sec	2.6	4.5	4.8	4.9
Coverage range	m	8.3	14.3	15.2	16.1

* The air coverage range is the distance to which the 0.25m/sec air can reach, when air is blown out horizontally from the unit at the High notch position.

The coverage range should be used only as a general guideline since it varies according to the size of the room and the furniture inside the room.

9-2. PLA-RP·BA(2)

9-2-1 FRESH AIR INTAKE AND BRANCH DUCT

1. Branch duct hole and fresh air intake hole (Fig. 1)

At the time of installation, use the duct holes (cut out) located at the positions shown in Fig.1, as and when required.

- A fresh air intake hole for the optional multi function casement can also be made.

Note:

The figure marked with * in the drawing represent the dimensions of the main unit excluding those of the optional multi function casement.

When installing the optional multi function casement, add 135 mm to the dimensions marked on the figure.

When installing the branch ducts, be sure to insulate adequately.

Otherwise condensation and dripping may occur.

Unit:mm

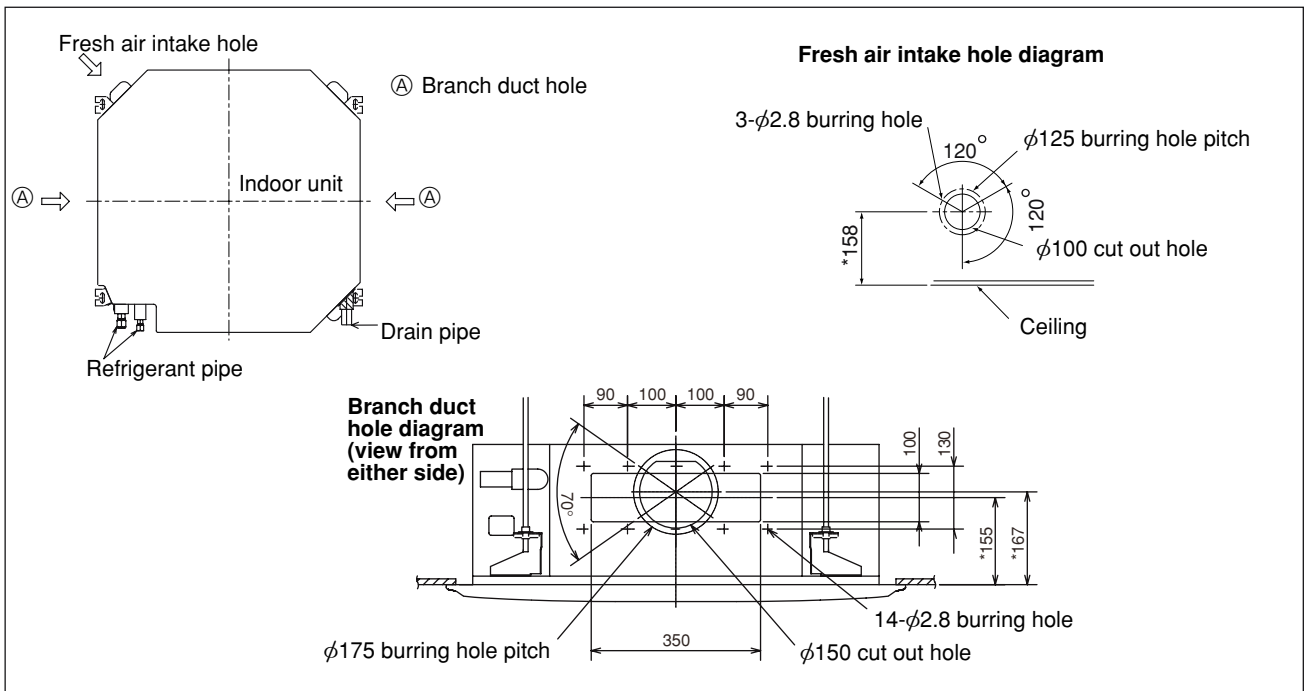
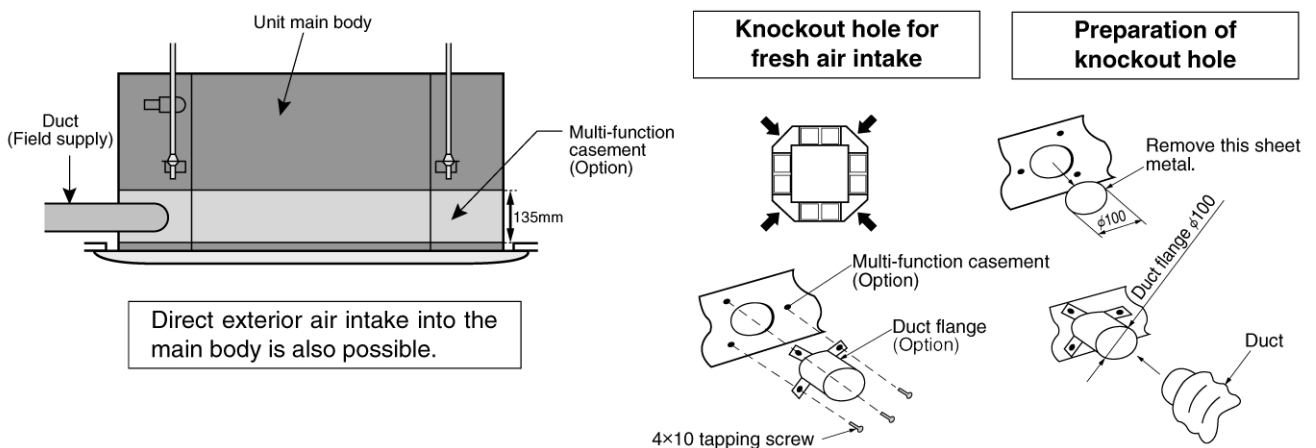


Fig. 1

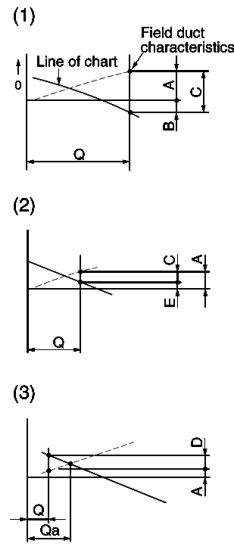
2. Fresh air intake (Installation at site)

- By mounting the optional multi-function casement to the indoor unit main body, and mounting the duct and duct flange (option) onto it further, fresh exterior air intake can be accomplished. (The mounting of the multi-function casement increases the height of the ceiling plenum by 135mm.)



3. Fresh air intake volume & static pressure characteristics

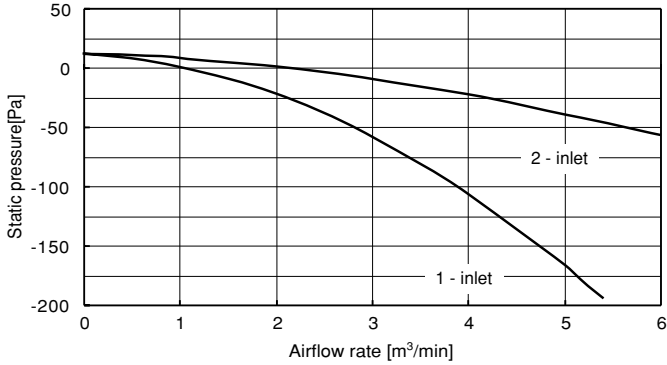
How to read the chart



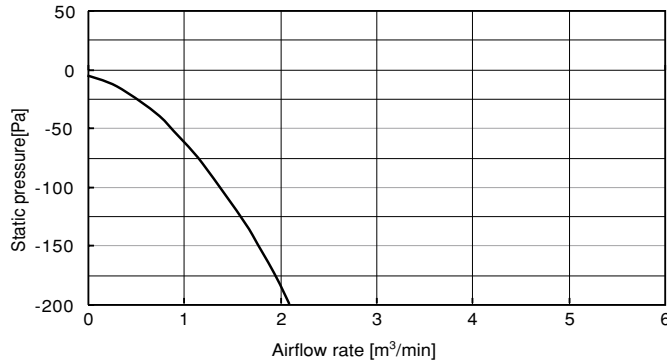
- Q Design fresh air intake volume (m³/min)
- A Static pressure loss [Pa] of fresh air intake duct at airflow rate of Q
- B Required boost pressure [Pa] of air conditioner inlet at airflow rate of Q
- C Required static pressure [Pa] of booster fan at airflow rate of Q
- D Required compensation [Pa] for static pressure loss of fresh air intake duct to make airflow rate Q
- E Static pressure [Pa] of indoor unit at airflow rate of Q
- Qa .. Estimated fresh air intake [m³/min] without compensation of D

PLA-RP35~71BA(2)

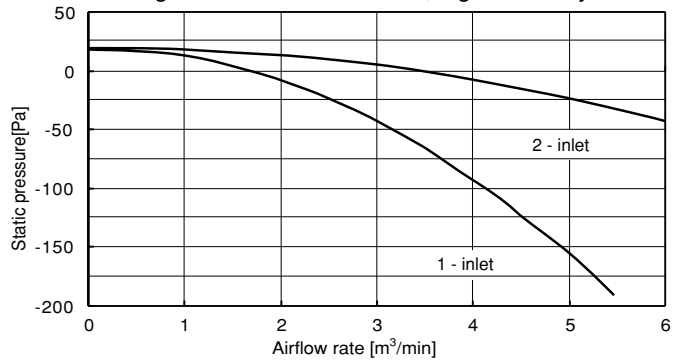
① At using multi-function casement, standard filter



② Direct intake to unit

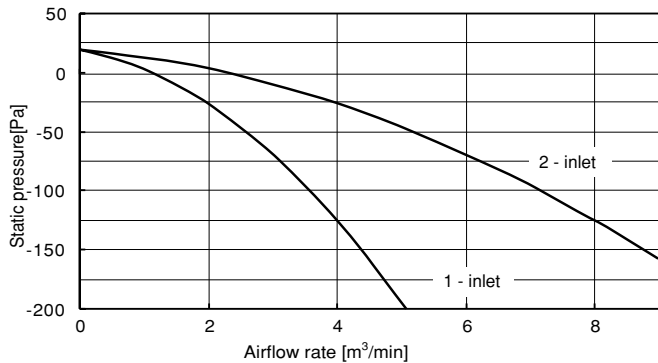


③ At using multi-function casement, high efficiency filter

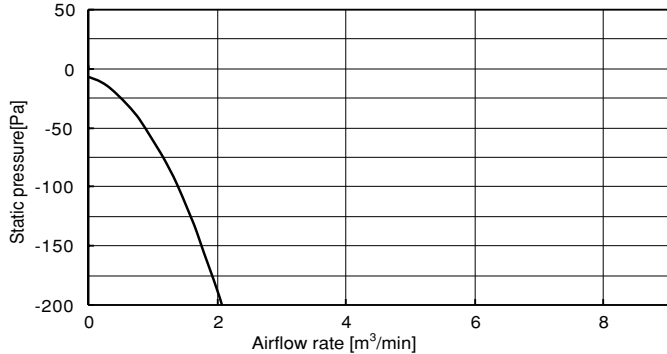


PLA-RP100~140BA(2)

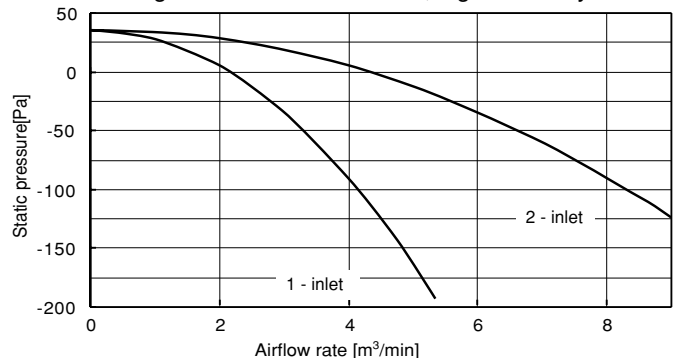
① At using multi-function casement, standard filter



② Direct intake to unit



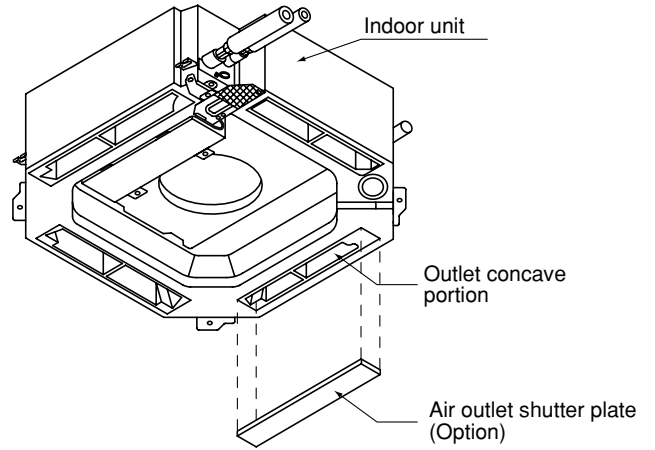
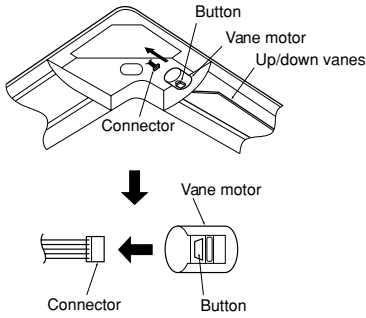
③ At using multi-function casement, high efficiency filter



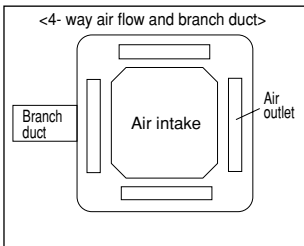
4. Change of outlet numbers

The optional air outlet is necessary.
To change the air outlet number to 3-, or 2-way outlet, the outlet number should be closed with the operational air outlet shutter.

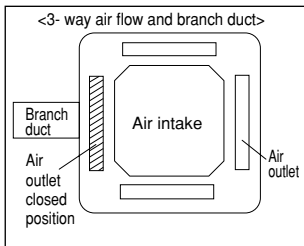
When the air outlets are closed, close the vane by removing the vane connector.



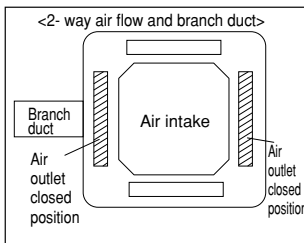
5. Branch duct and change of outlet numbers



※ Branch duct should be connected to one of the branch duct holes on the main unit.



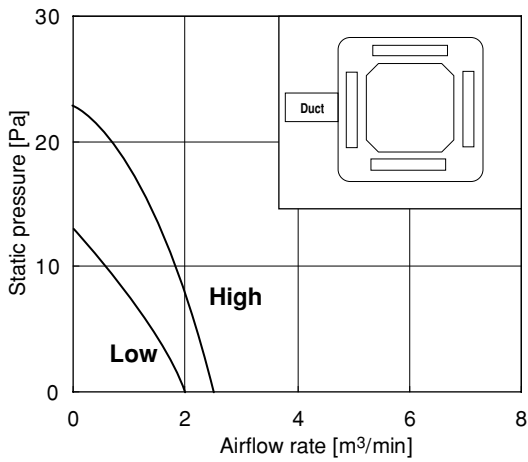
※ Close the outlet <on the side of branch duct and air flows in 3 directions.



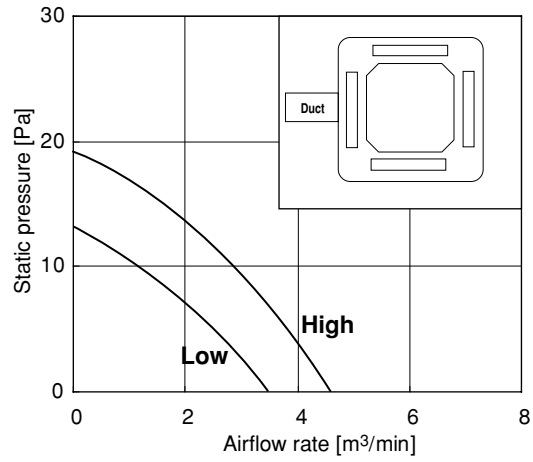
※ The outlet on the side of branch duct and one of the other outlets are closed.
Air flows in 2 directions.

PLA-RP71BA PLA-RP71BA2

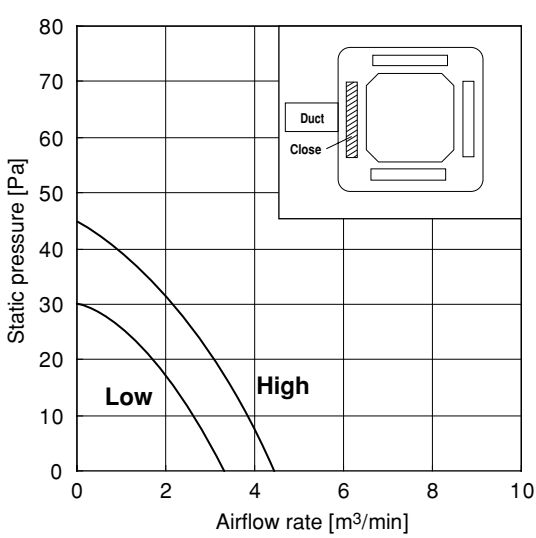
● 4-way airflow (horizontal vane) Round duct



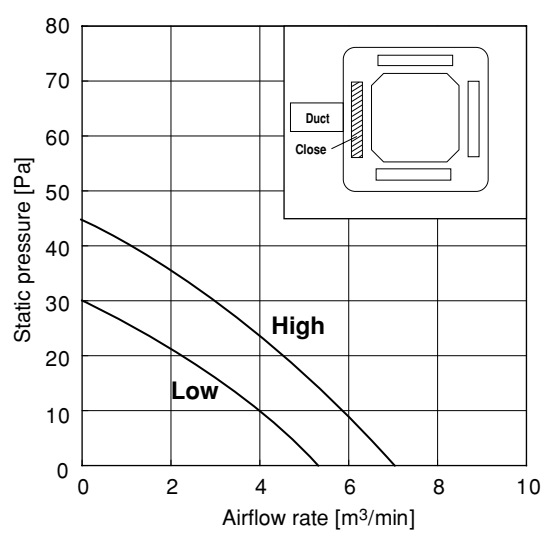
● 4-way airflow (horizontal vane) Rectangular duct



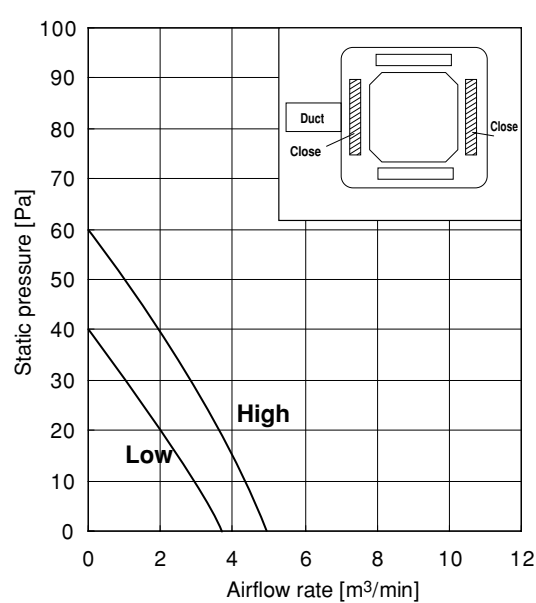
● 3-way airflow (horizontal vane) Round duct



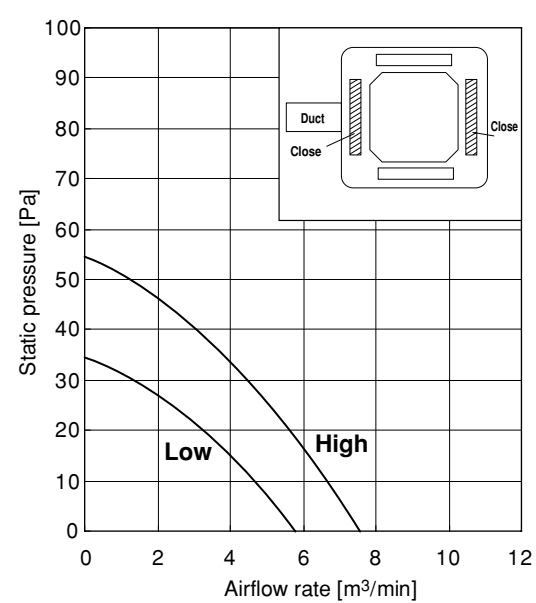
● 3-way airflow (horizontal vane) Rectangular duct



● 2-way airflow (horizontal vane) Round duct



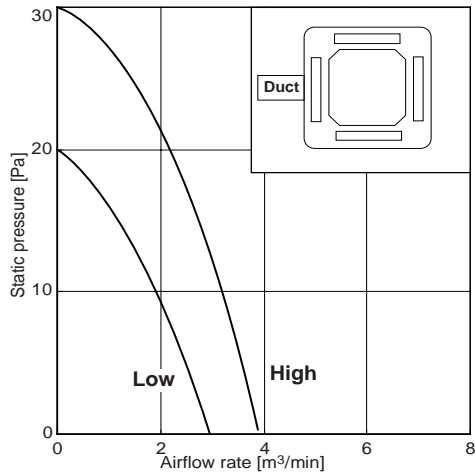
● 2-way airflow (horizontal vane) Rectangular duct



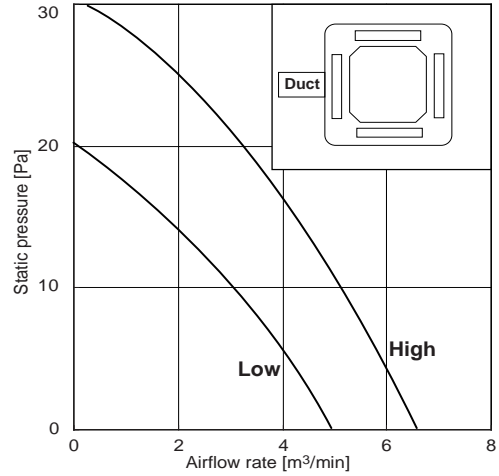
- Use 1 of the 2 duct holes on the indoor unit.
- Airflow rate of PLA-RP35~60BA can be calculated from the airflow rate based on the characteristic of the duct for PLA-RP71BA(2).
- Use the optional air outlet shutter plate (PAC-SH51SP-E) for 3-way and 2-way airflow.

PLA-RP125BA PLA-RP125BA2

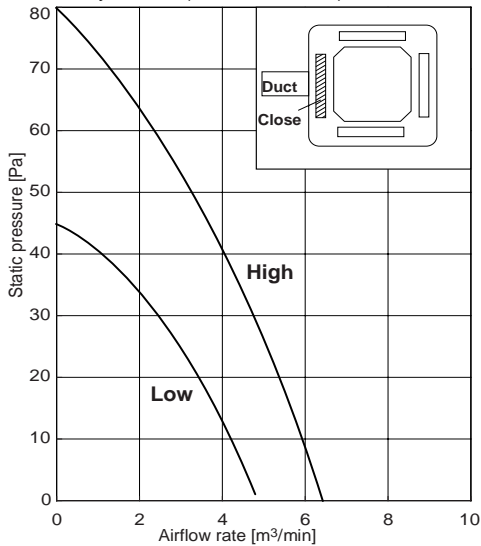
● 4-way airflow (horizontal vane) Round duct



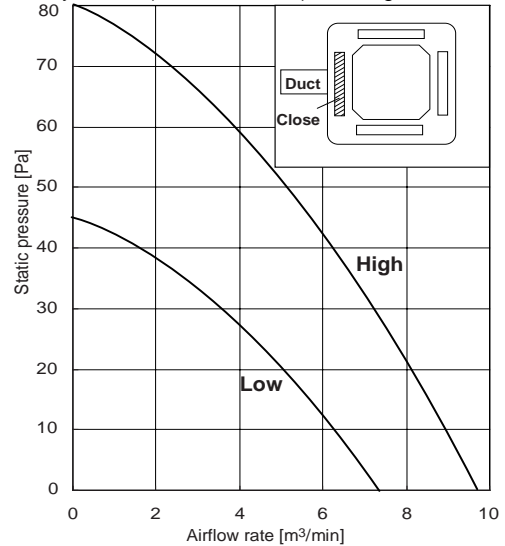
● 4-way airflow (horizontal vane) Rectangular duct



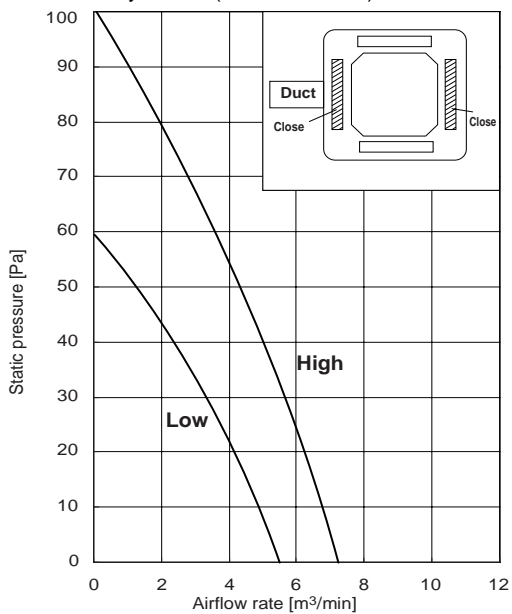
● 3-way airflow (horizontal vane) Round duct



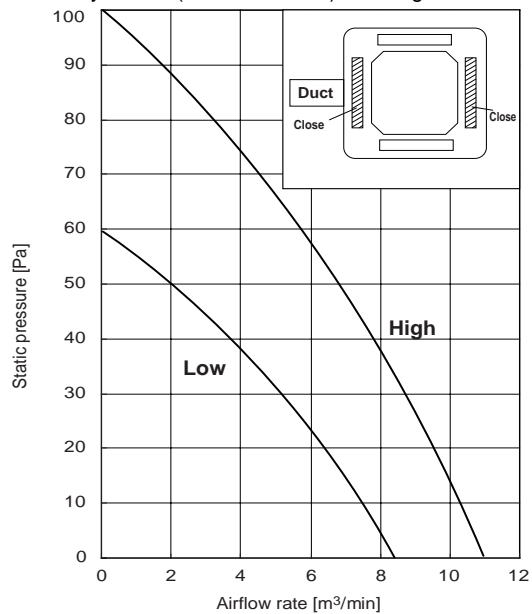
● 3-way airflow (horizontal vane) Rectangular duct



● 2-way airflow (horizontal vane) Round duct



● 2-way airflow (horizontal vane) Rectangular duct



- Use 1 of the 2 duct holes on the indoor unit.
- Airflow rate of PLA-RP100BA(2), PLA-RP140BA can be calculated from the airflow rate based on the characteristic of the duct for PLA-RP125BA(2).
- Use the optional air outlet shutter plate (PAC-SH51SP-E) for 3-way and 2-way airflow.

9-3. PLA-RP-AA, PLA-RP-AA2

9-3-1. Fresh air intake amount

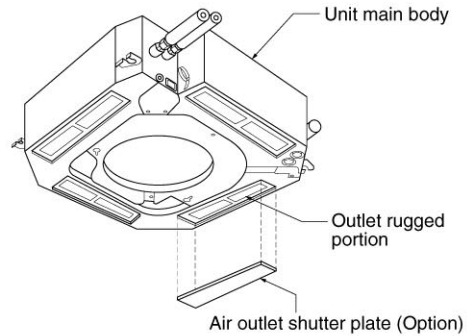
1. Adjusting the width of the air outlets

● Change of outlet numbers

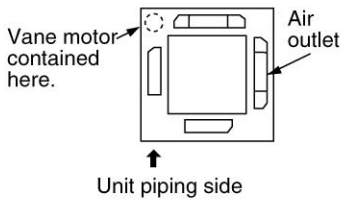
[The optional air outlet shutter is necessary.]

To change the air outlet numbers to 3-, or 2-way outlet, the outlets should be closed with the optional air outlet shutter.

(When the air outlets are closed, close the vane by removing the vane connector.)



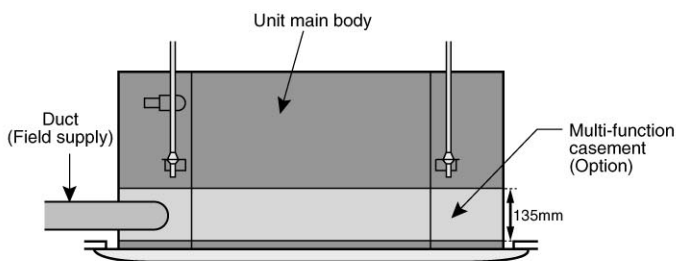
● For the portion to be cut (V-shaped groove), see the figure below (as seen from the rear of the panel).



2. Fresh air intake (Installation of site)

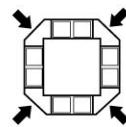
● By mounting the optional multi-function casement to the indoor unit main body, and mounting the duct and duct flange (field supply) onto it further, fresh exterior air intake can be accomplished.

(The mounting of the multi-function casement increases the height of the ceiling plenum by 135mm.)

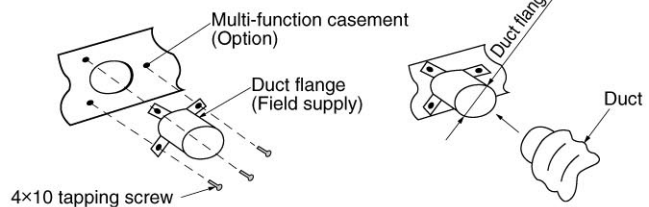
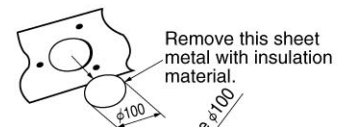


Direct exterior air intake into the main body is also possible.

Knockout hole for fresh air intake



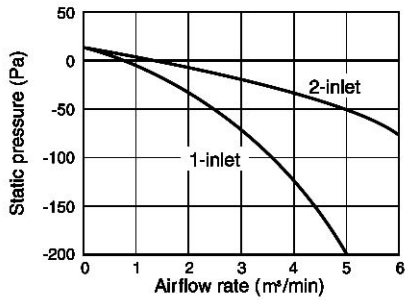
Preparation of knockout hole



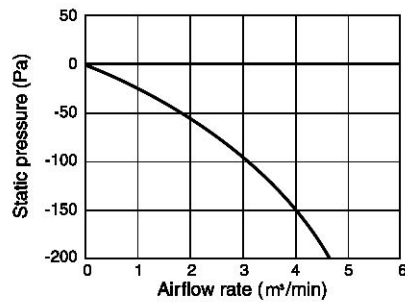
3. Fresh air intake volume & static pressure characteristics

① PLA-RP 71AA

(at using of multi-function casement, standard filter)

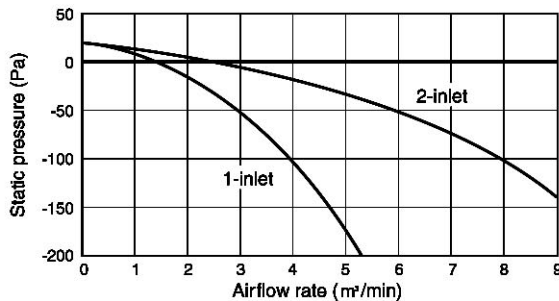


② PLA-RP 71AA (Direct intake to unit)

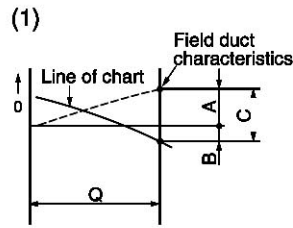


③ PLA-RP100/RP125/RP140AA2

(at using of multi-function casement, standard filter)



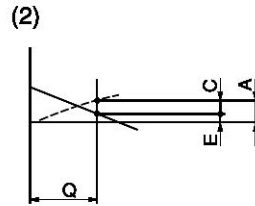
How to read the chart



Q Design fresh air intake volume (m^3/min)

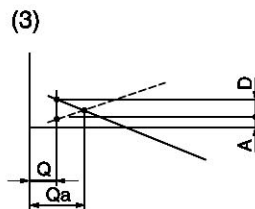
A Static pressure loss [Pa] of fresh air intake duct at airflow rate of Q

B Required boost pressure [Pa] of air conditioner inlet at airflow rate of Q



C Required static pressure [Pa] of booster fan at airflow rate of Q

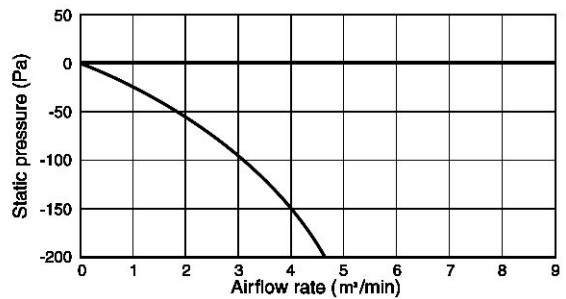
D Required compensation [Pa] for static pressure loss of fresh air intake duct to make airflow rate Q



E Static pressure [Pa] of indoor unit at airflow rate of Q

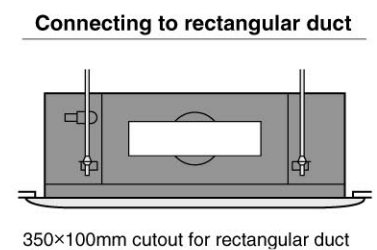
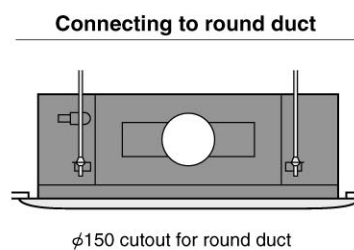
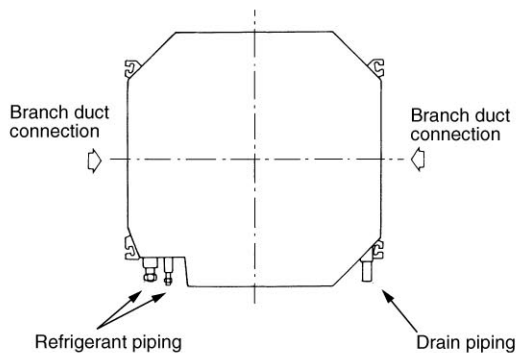
Qa .. Estimated fresh air intake [m^3/min] without compensation of D

④ PLA-RP100/RP125/RP140AA2 (Direct intake to unit)



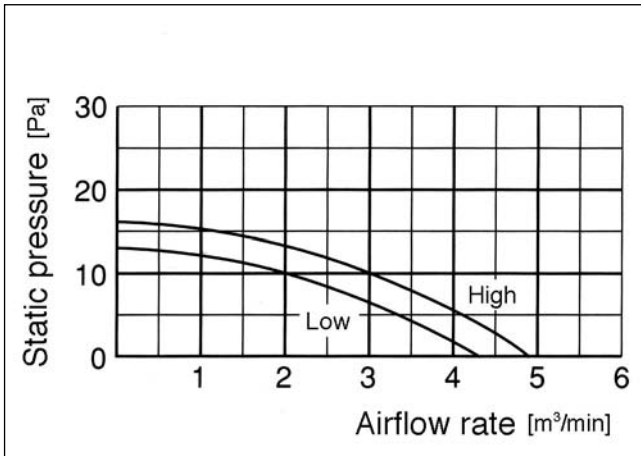
9-3-2. BRANCH DUCT (Installation at site)

To be compatible with both round and rectangular branch ducts, knockout holes are designed to fit to both shapes for flexible on-site installation.

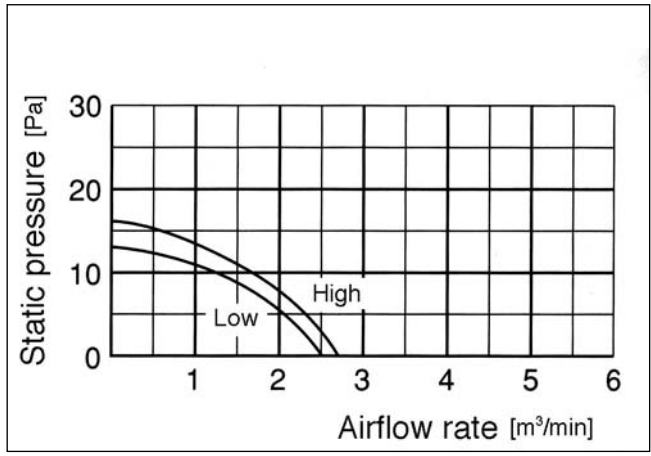


Branch duct airflow rate/static pressure characteristics
PLA-RP35AA

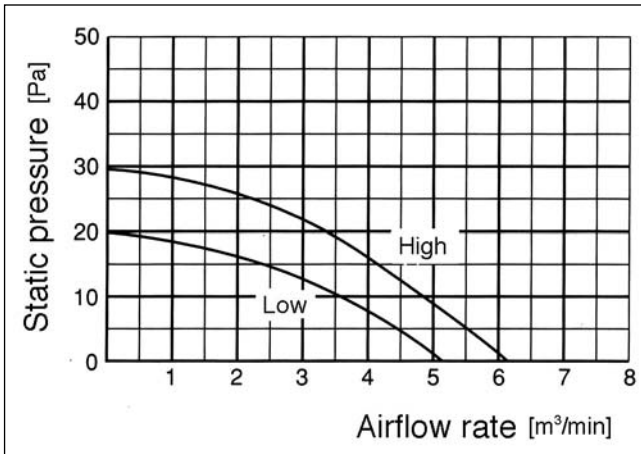
4-way airflow (horizontal vane) Rectangular duct



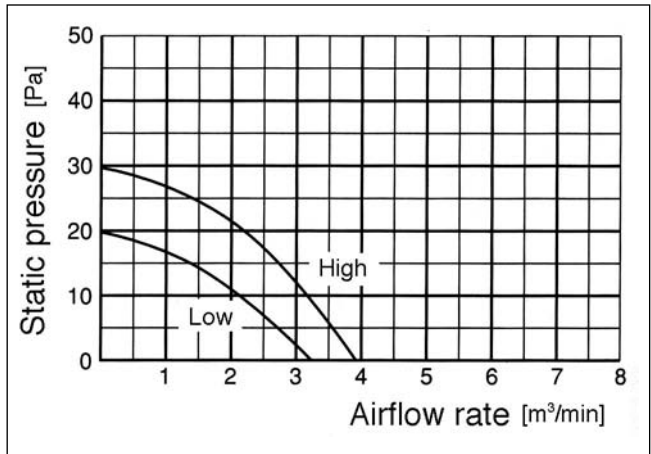
4-way airflow (horizontal vane) Round duct



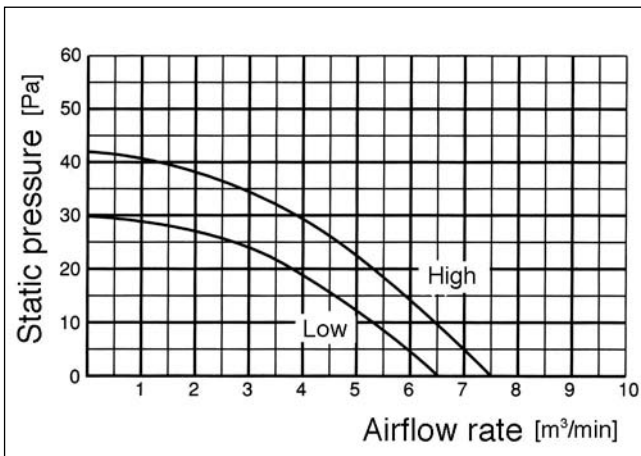
3-way airflow (horizontal vane) Rectangular duct



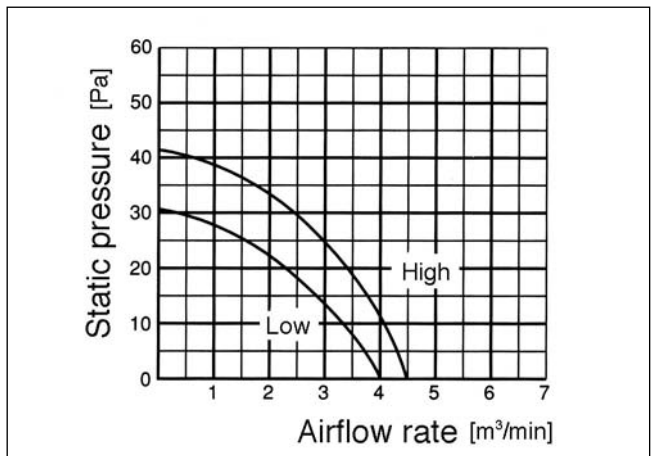
3-way airflow (horizontal vane) Round duct



2-way airflow (horizontal vane) Rectangular duct

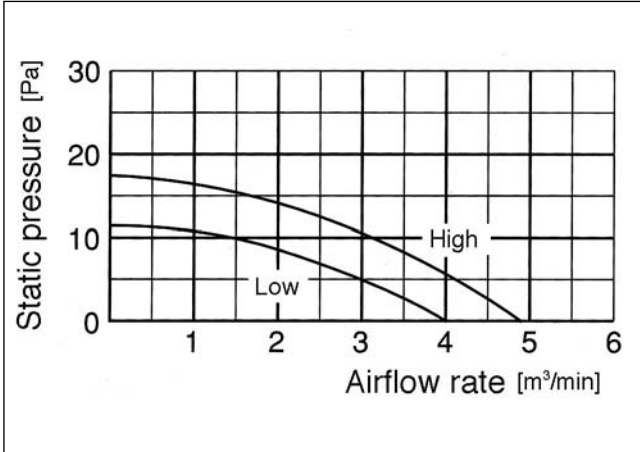


2-way airflow (horizontal vane) Round duct

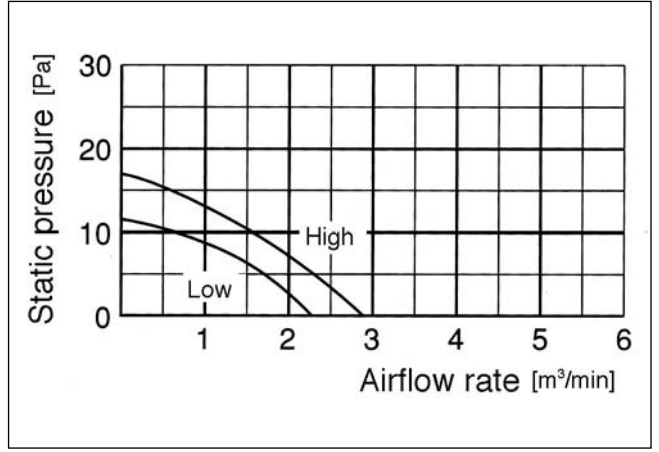


PLA-RP50AA
PLA-RP60AA

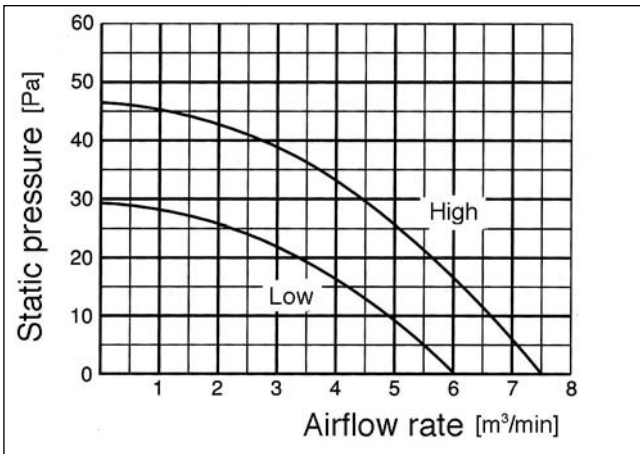
4-way airflow (horizontal vane) Rectangular duct



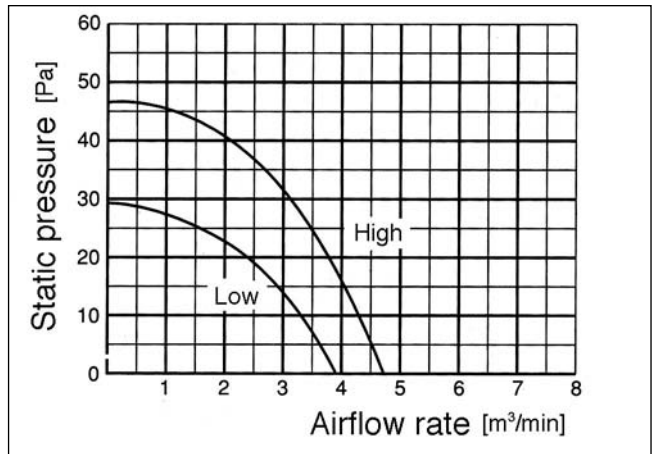
4-way airflow (horizontal vane) Round duct



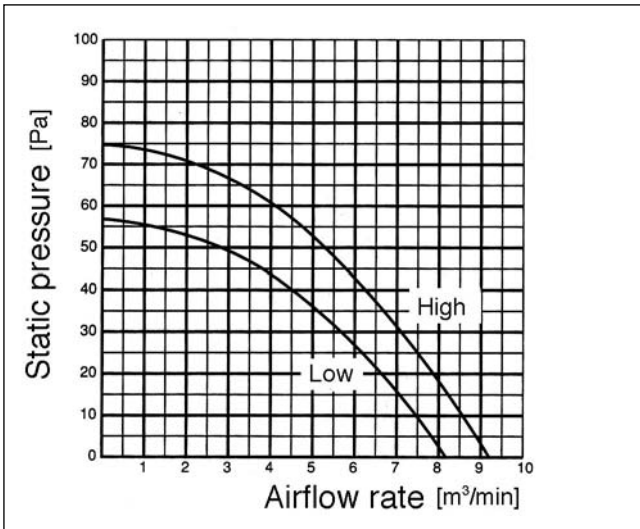
3-way airflow (horizontal vane) Rectangular duct



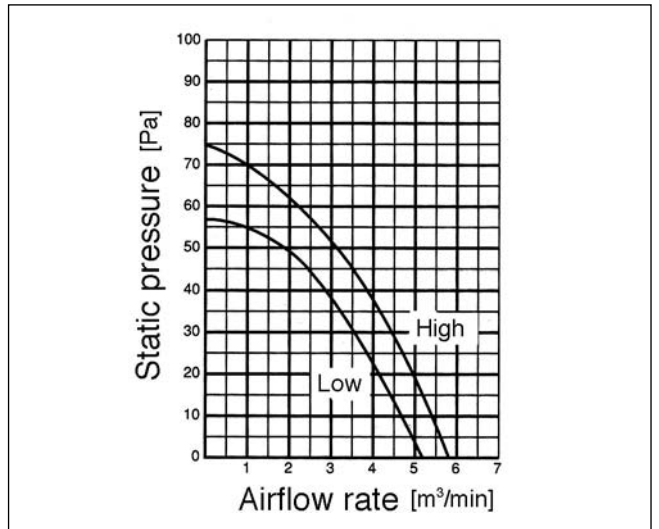
3-way airflow (horizontal vane) Round duct



2-way airflow (horizontal vane) Rectangular duct

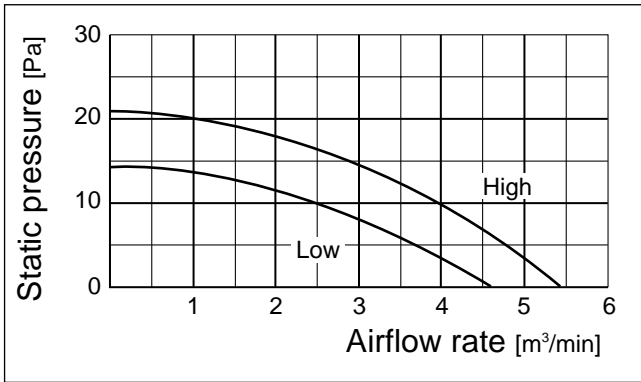


2-way airflow (horizontal vane) Round duct

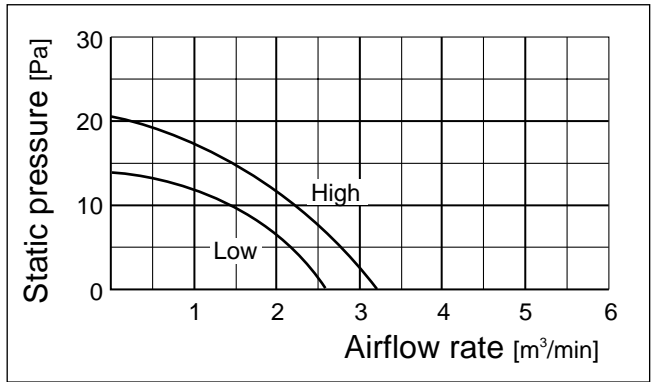


PLA-RP71AA

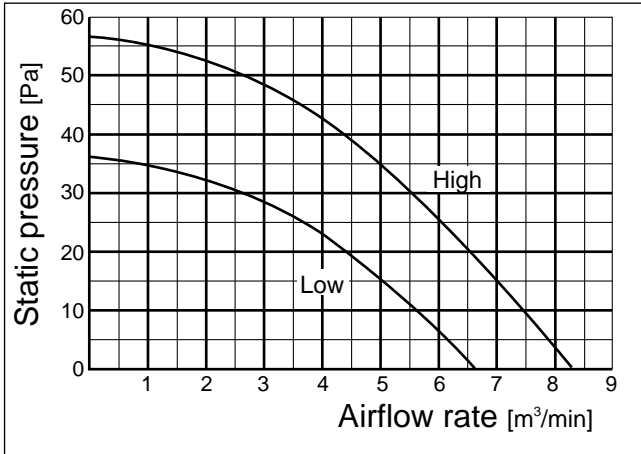
4-way airflow (horizontal vane) Rectangular duct



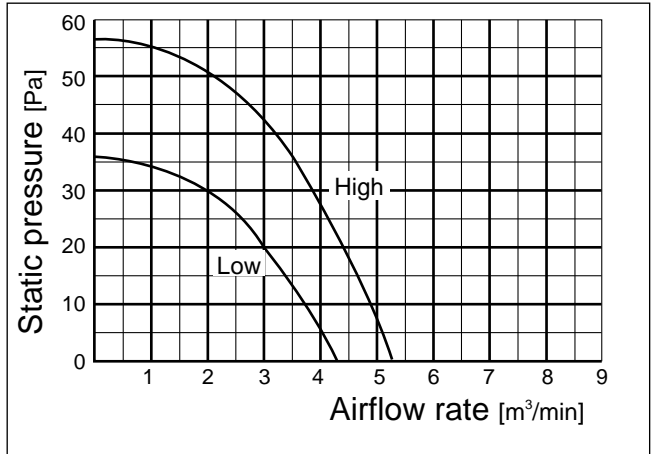
4-way airflow (horizontal vane) Round duct



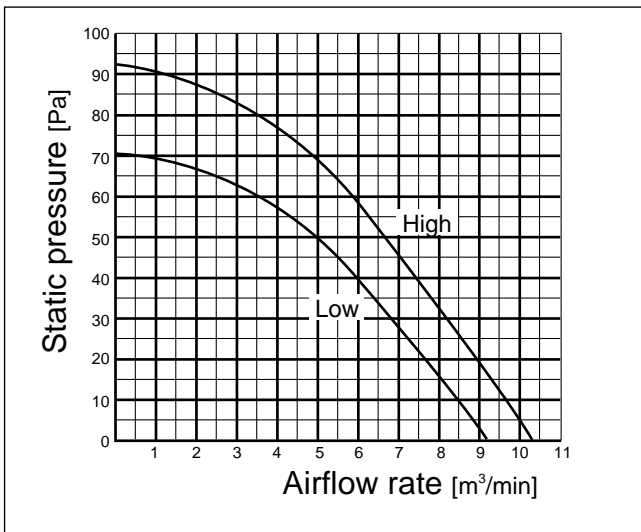
3-way airflow (horizontal vane) Rectangular duct



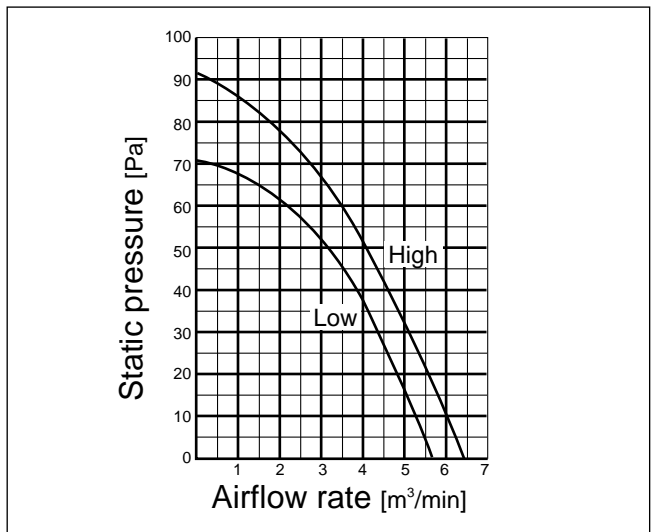
3-way airflow (horizontal vane) Round duct



2-way airflow (horizontal vane) Rectangular duct

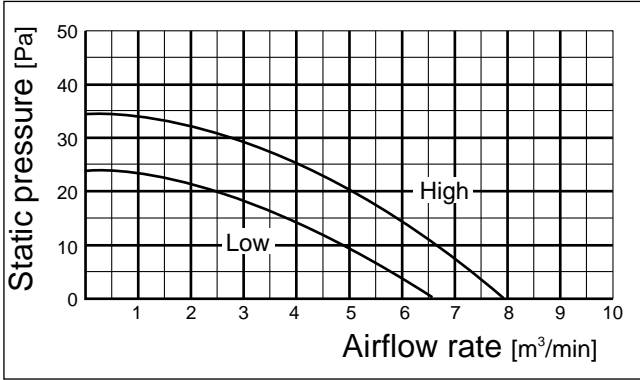


2-way airflow (horizontal vane) Round duct

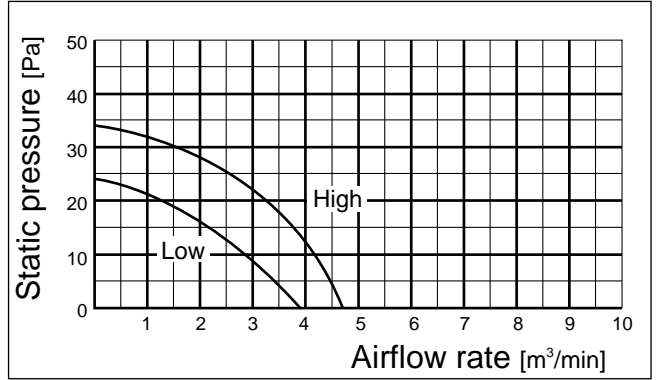


PLA-RP100AA2

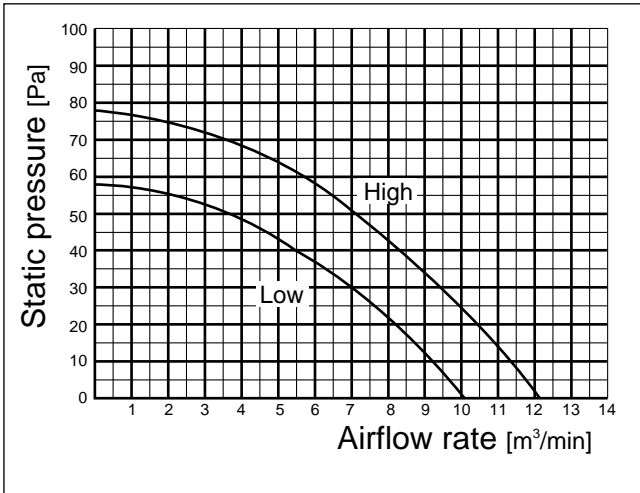
4-way airflow (horizontal vane) Rectangular duct



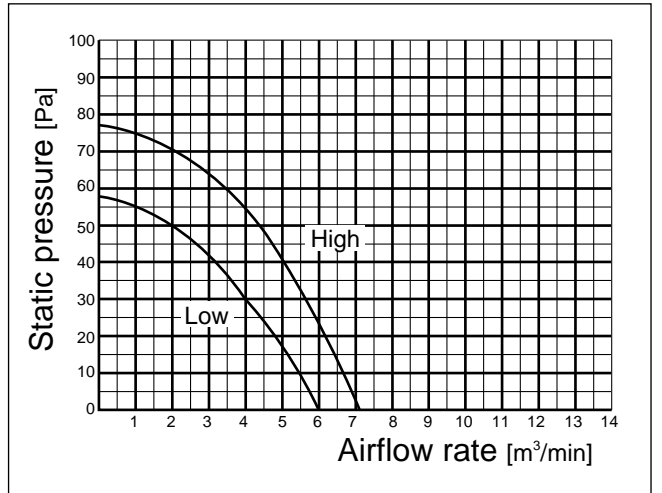
4-way airflow (horizontal vane) Round duct



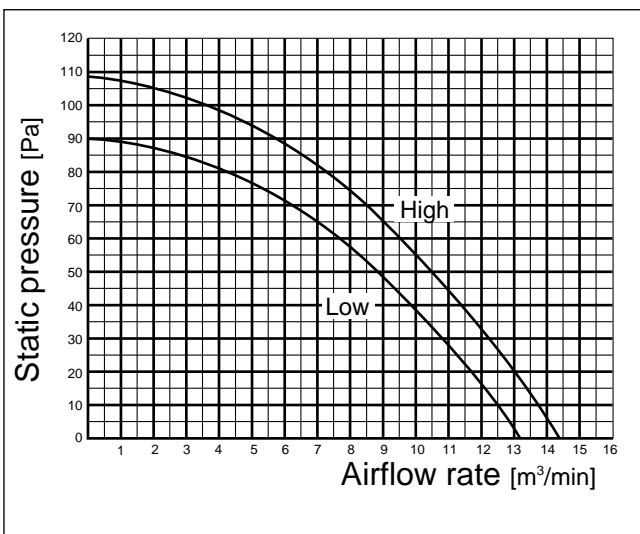
3-way airflow (horizontal vane) Rectangular duct



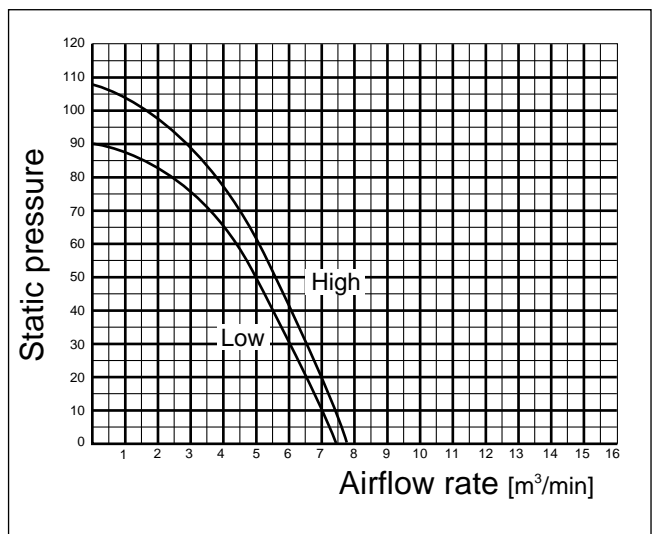
3-way airflow (horizontal vane) Round duct



2-way airflow (horizontal vane) Rectangular duct

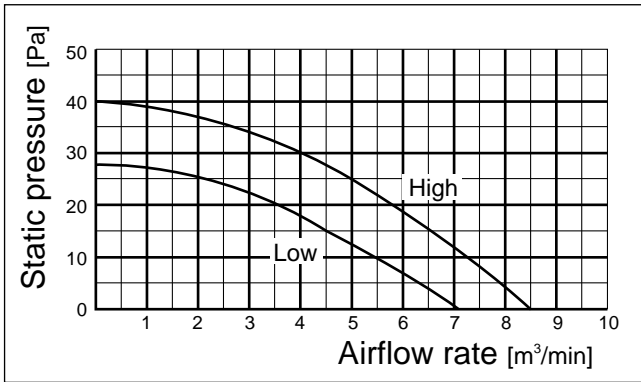


2-way airflow (horizontal vane) Round duct

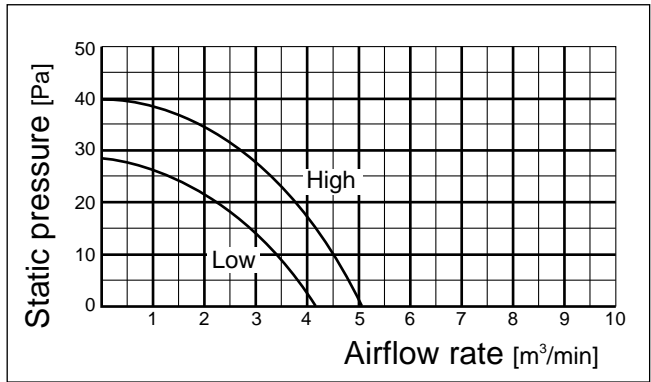


PLA-RP125AA2
PLA-RP140AA2

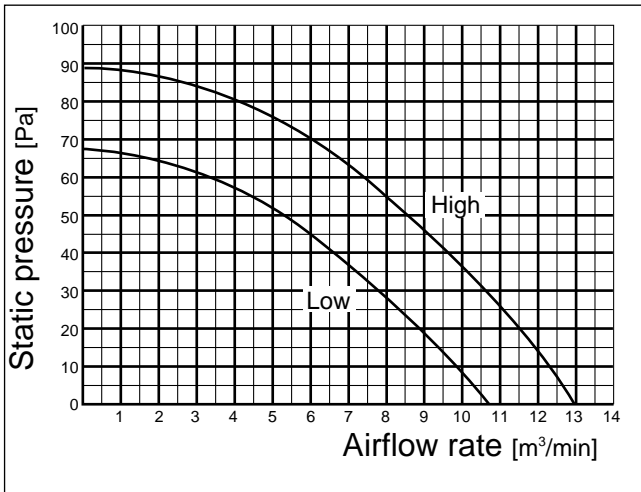
4-way airflow (horizontal vane) Rectangular duct



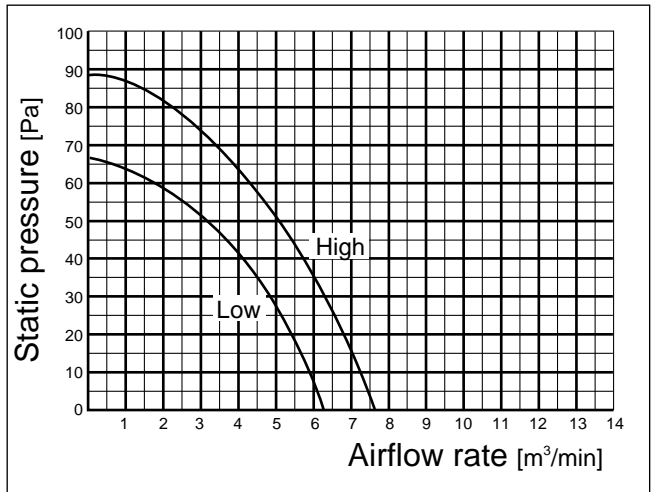
4-way airflow (horizontal vane) Round duct



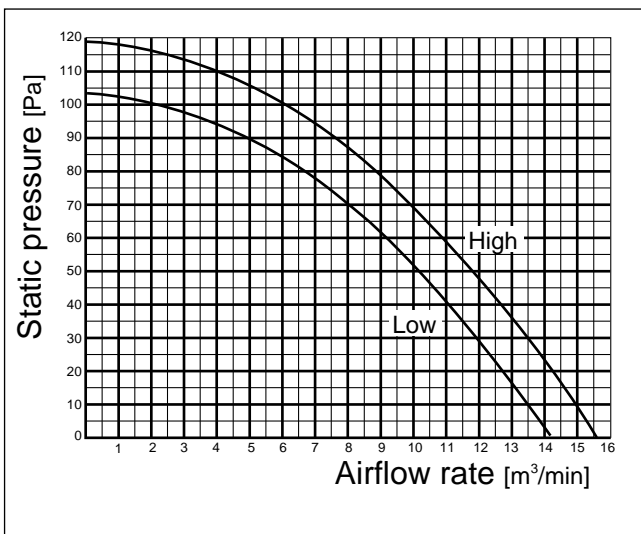
3-way airflow (horizontal vane) Rectangular duct



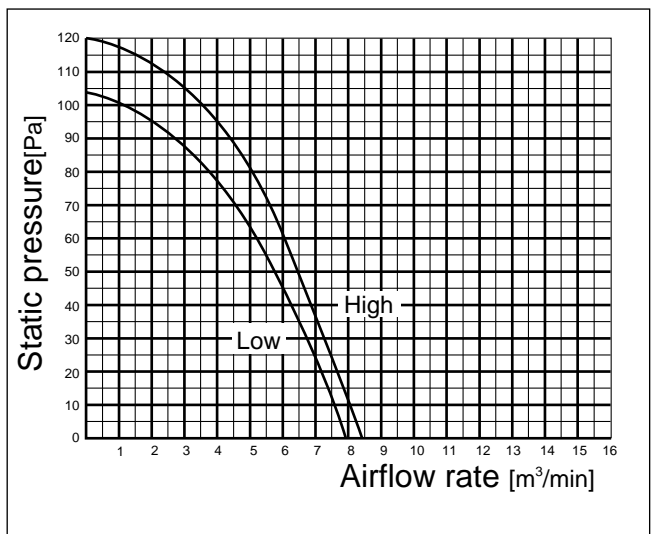
3-way airflow (horizontal vane) Round duct



2-way airflow (horizontal vane) Rectangular duct



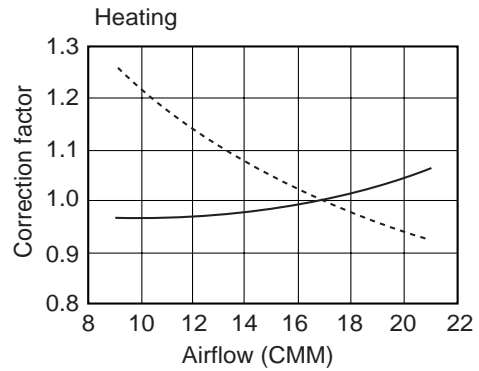
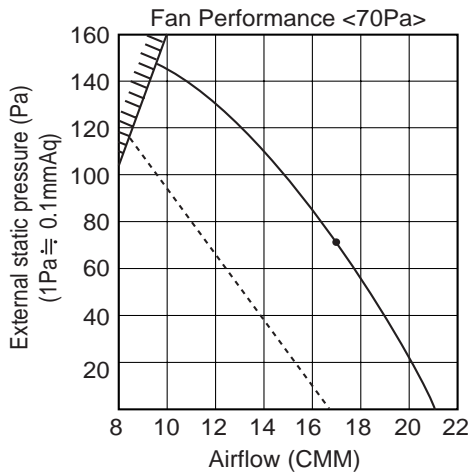
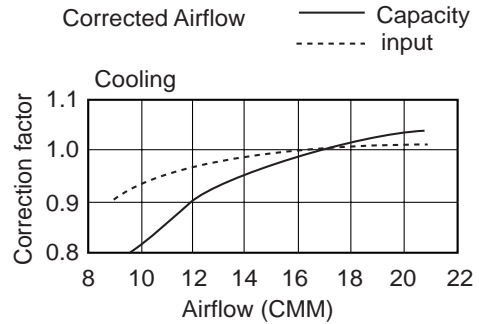
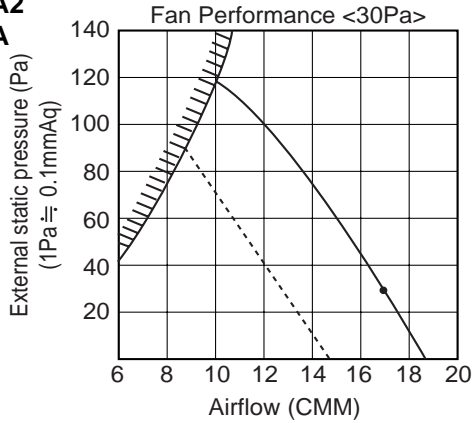
2-way airflow (horizontal vane) Round duct



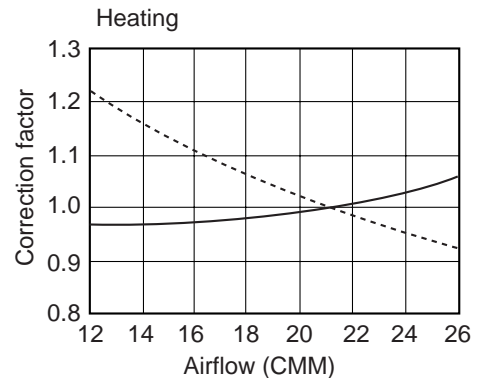
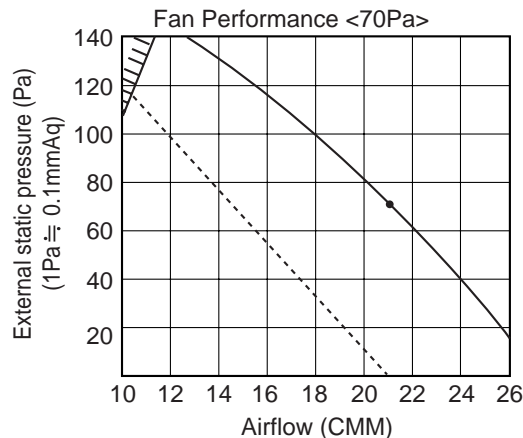
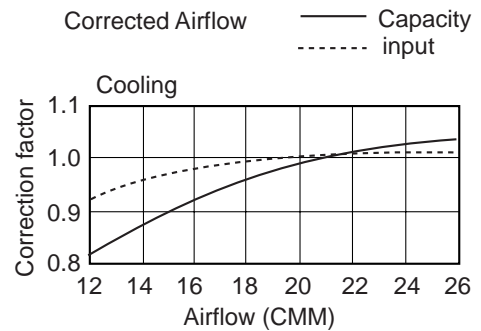
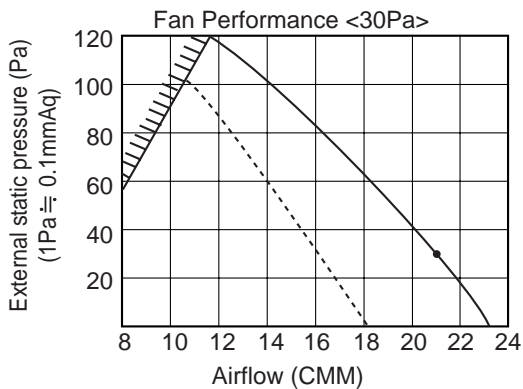
9-4. PEAD-RP-EA,EA2,GA

9-4-1. Fan Performance and Corrected Airflow

PEAD-RP35EA2
PEAD-RP50EA

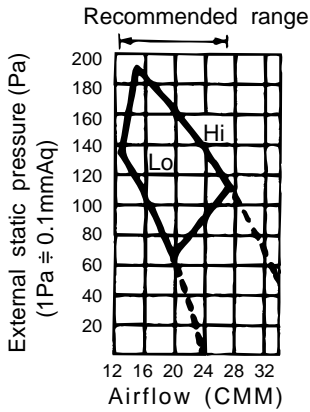


PEAD-RP60EA

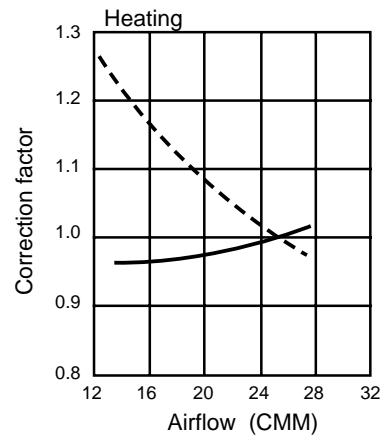
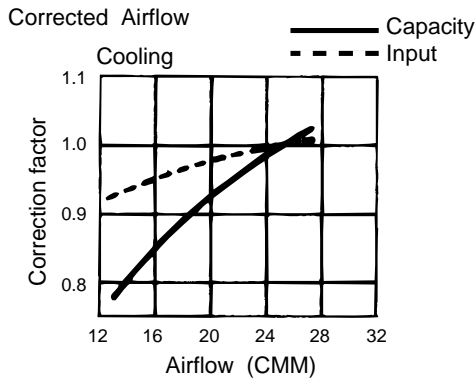
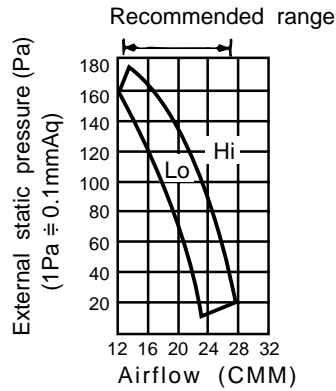


PEAD-RP71EA

Fan performance <130Pa>

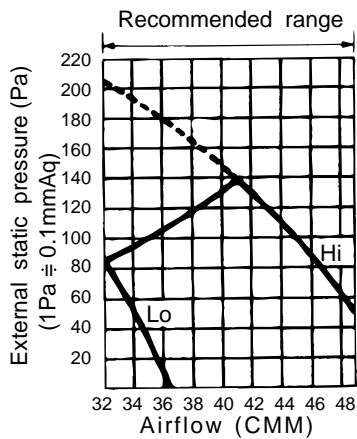


Fan performance <70Pa>

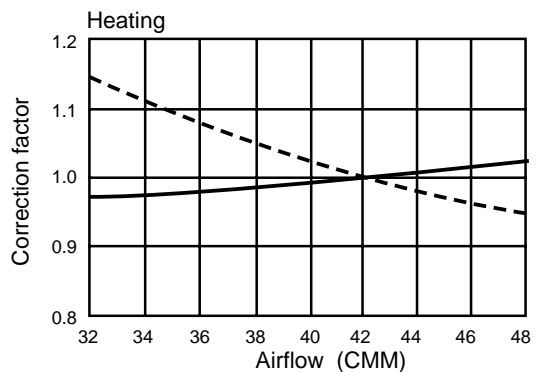
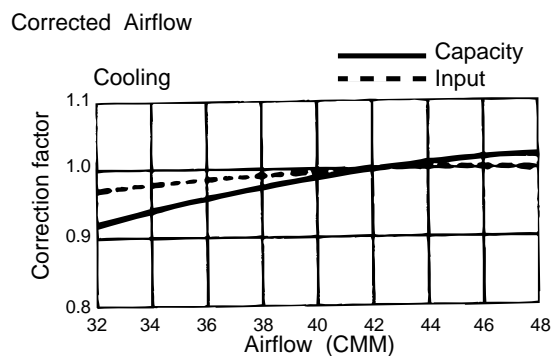
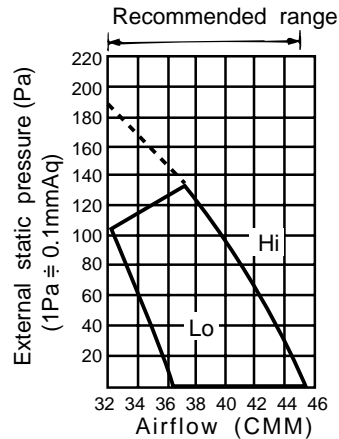


PEAD-RP100EA2
PEAD-RP125EA

Fan performance <130Pa>



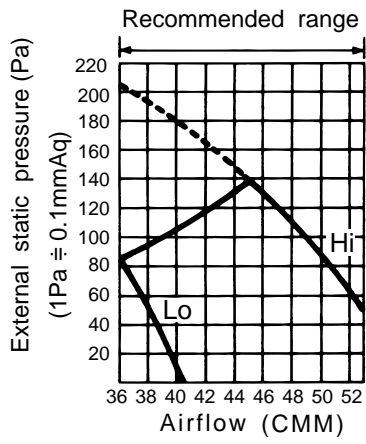
Fan performance <70Pa>



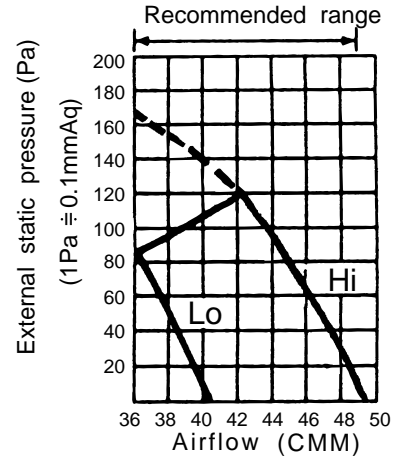


PEAD-RP140EA

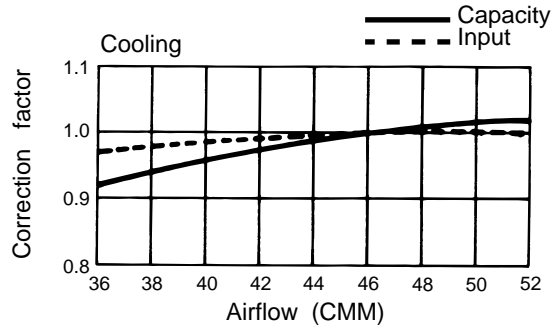
Fan performance <130Pa>



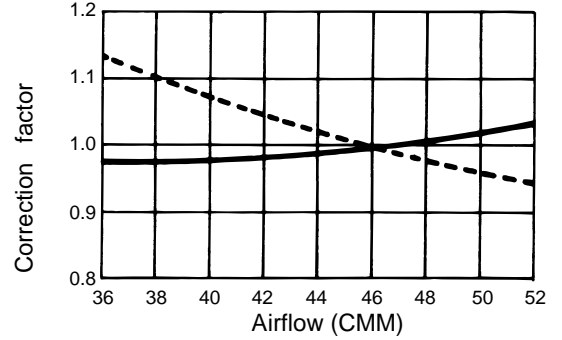
Fan performance <70Pa>



Corrected Airflow

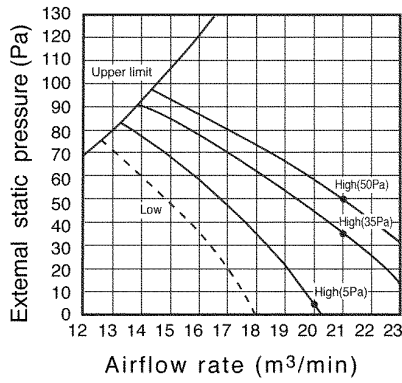


Heating

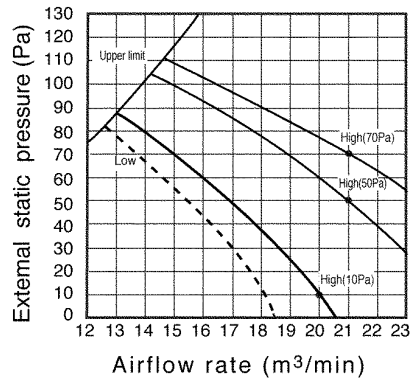


PEAD-RP60GA

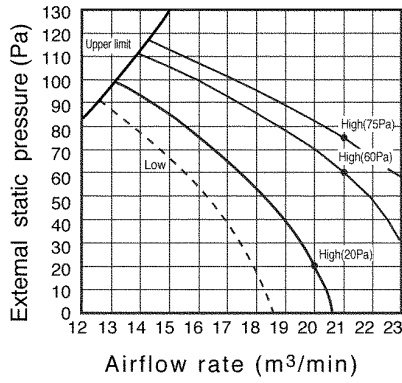
Fan performance <220V>



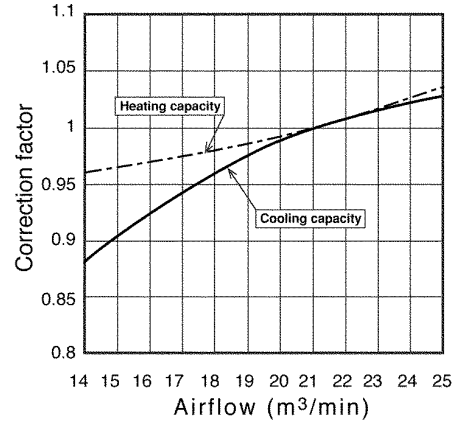
Fan performance <230V>



Fan performance <240V>

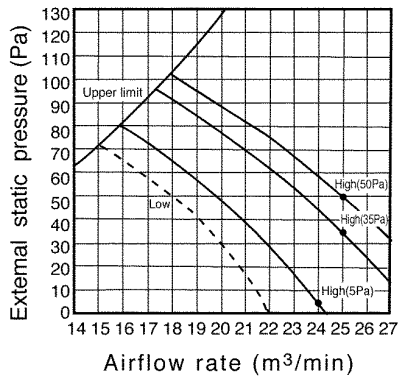


Corrected airflow

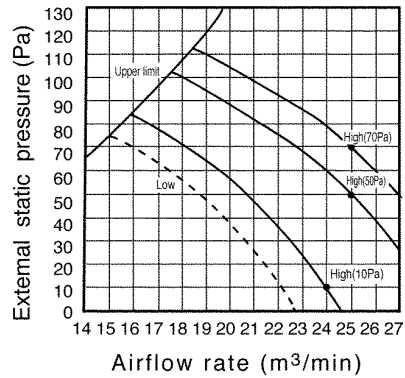


PEAD-RP71GA

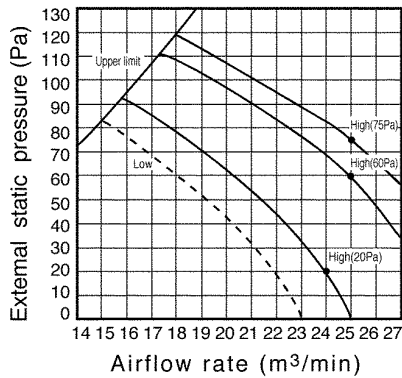
Fan performance <220V>



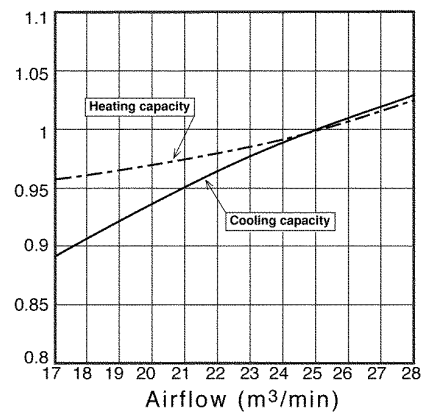
Fan performance <230V>



Fan performance <240V>

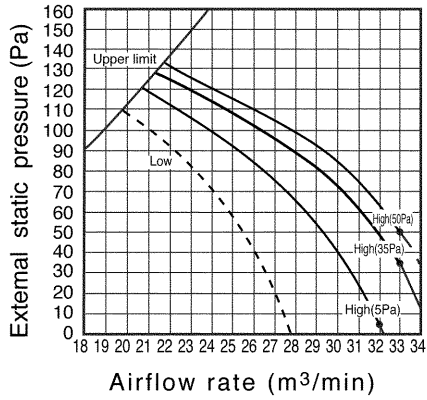


Corrected airflow

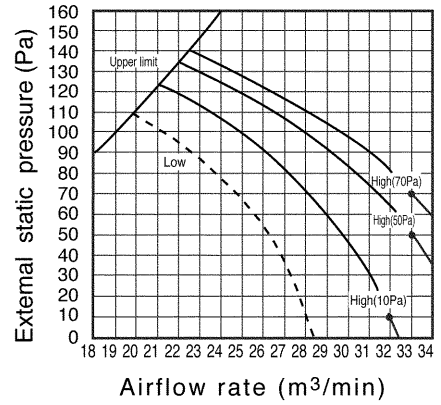


PEAD-RP100GA

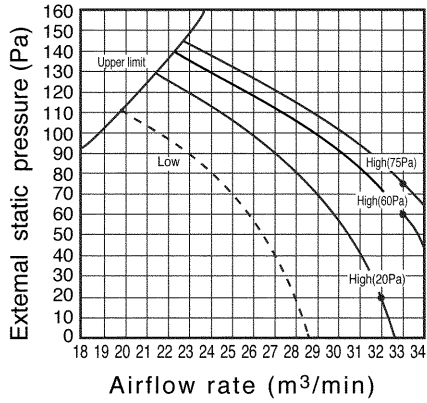
Fan performance <220V>



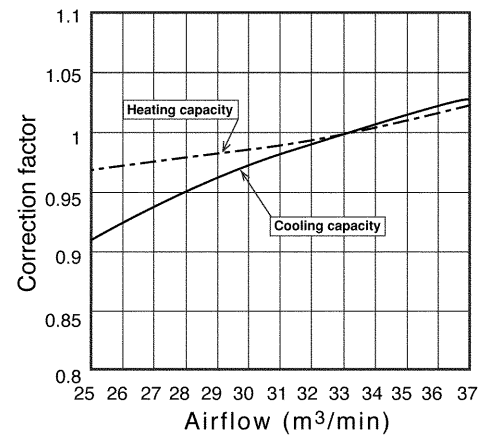
Fan performance <230V>



Fan performance <240V>

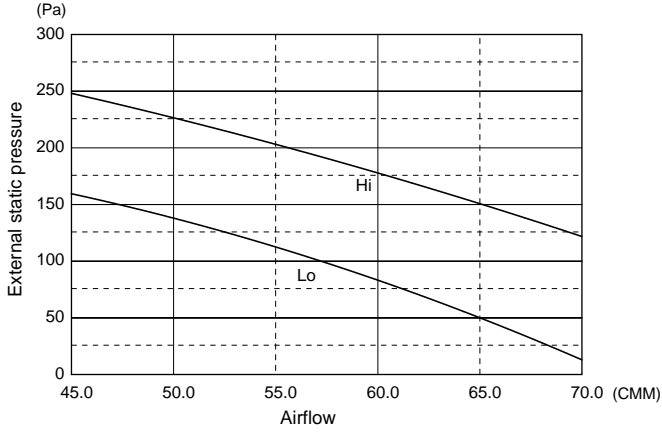


Corrected airflow

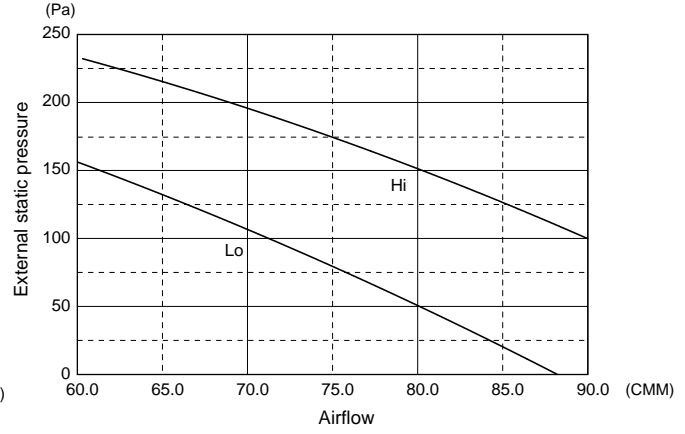


9-5. PEA-RP-GA Fan Performance Curve

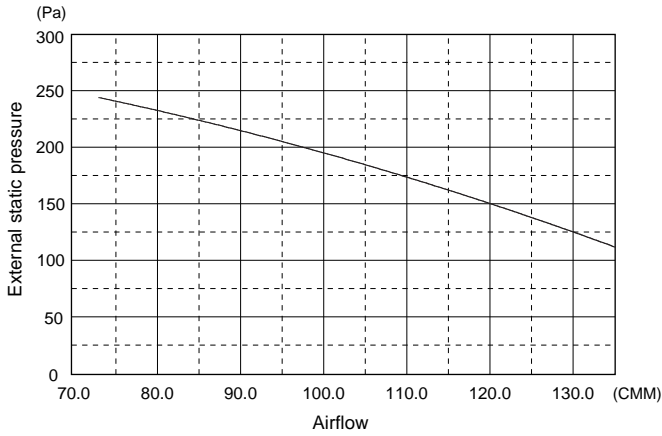
PEA-RP200GA
Fan Performance Curve 50Hz



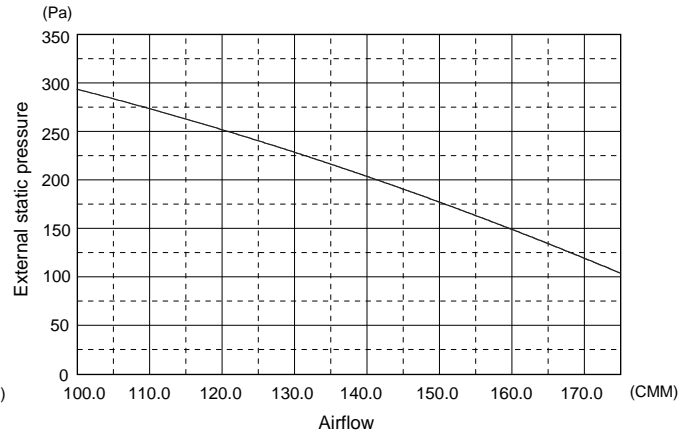
PEA-RP250GA
Fan Performance Curve 50Hz



PEA-RP400GA
Fan Performance Curve 50Hz



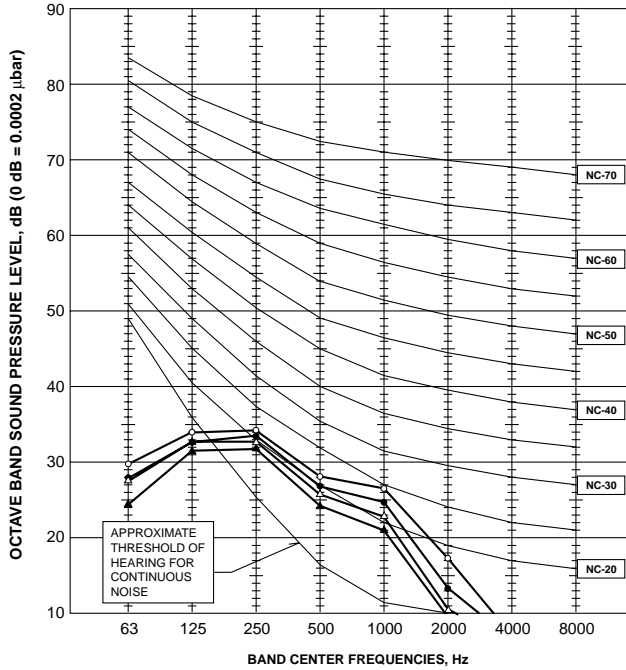
PEA-RP500GA
Fan Performance Curve 50Hz



10-1. INDOOR UNIT

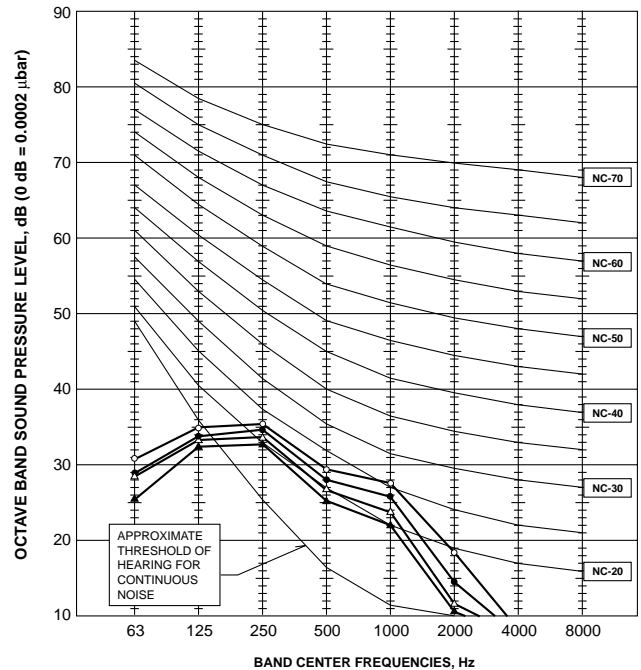
PLA-RP35BA

NOTCH	SPL(dB)	LINE
High	31	○—○
Medium1	29	●—●
Medium2	28	△—△
Low	27	▲—▲



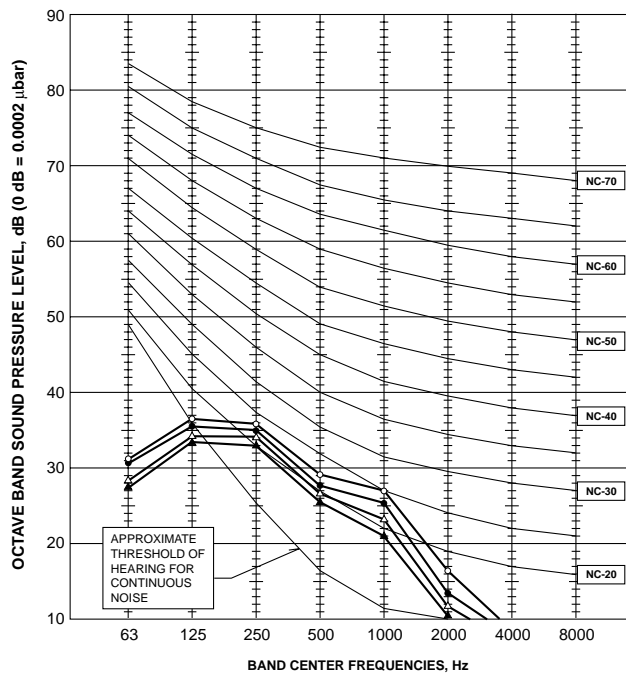
PLA-RP50BA

NOTCH	SPL(dB)	LINE
High	32	○—○
Medium1	31	●—●
Medium2	29	△—△
Low	28	▲—▲



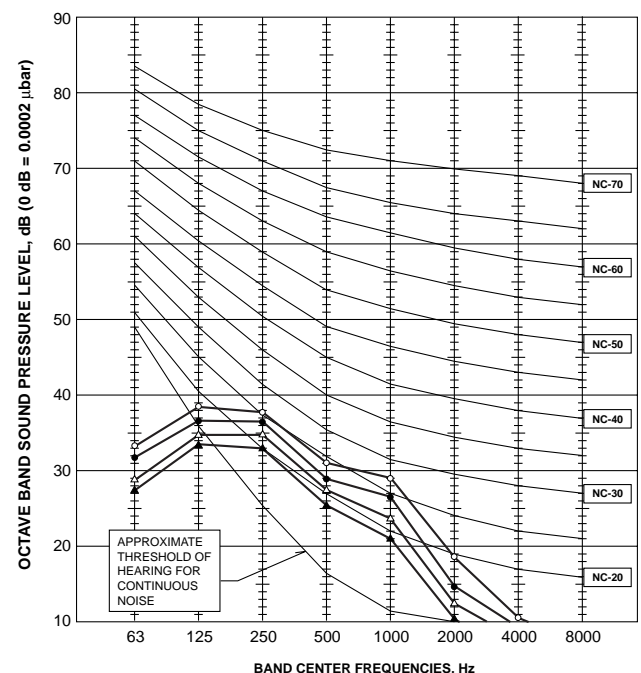
PLA-RP60BA

NOTCH	SPL(dB)	LINE
High	32	○—○
Medium1	31	●—●
Medium2	29	△—△
Low	28	▲—▲



PLA-RP71BA
PLA-RP71BA2

NOTCH	SPL(dB)	LINE
High	34	○—○
Medium1	32	●—●
Medium2	30	△—△
Low	28	▲—▲

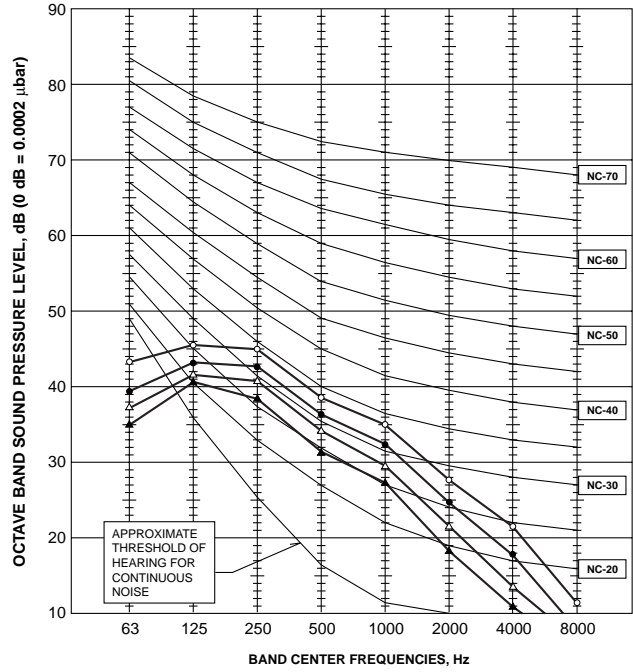
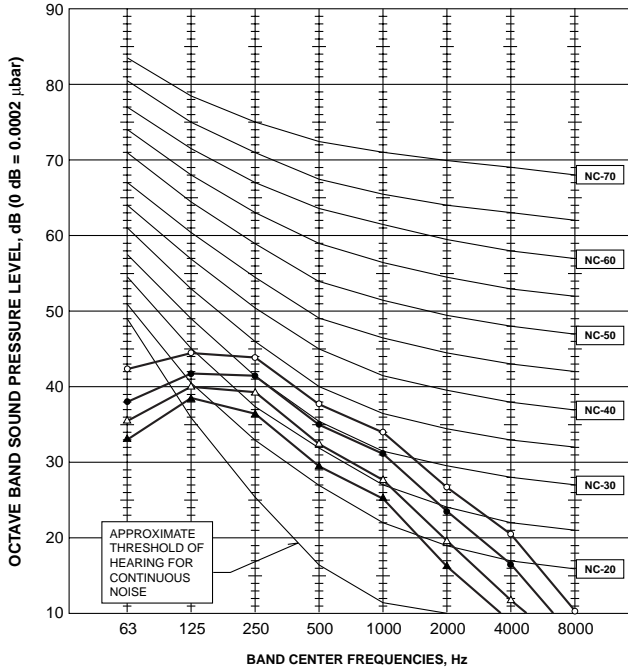


**PLA-RP100BA
PLA-RP100BA2**

NOTCH	SPL(dB)	LINE
High	40	○—○
Medium1	37	●—●
Medium2	34	△—△
Low	32	▲—▲

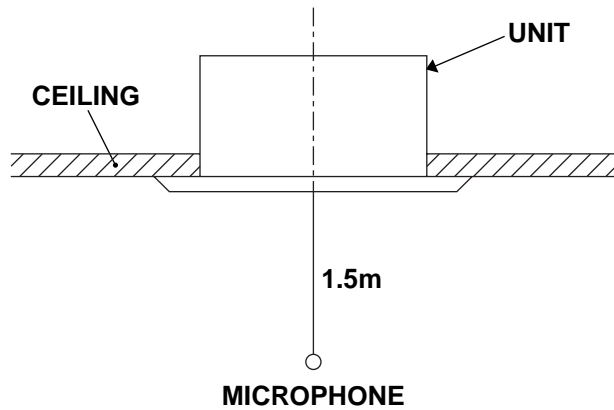
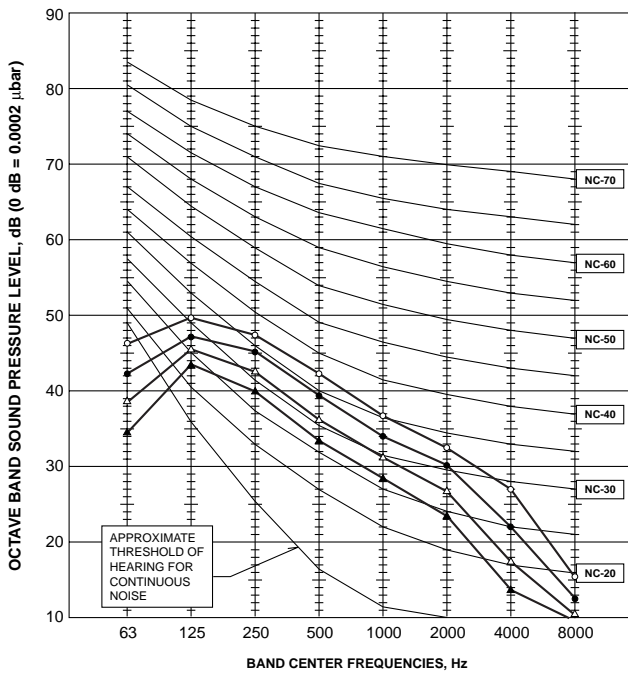
**PLA-RP125BA
PLA-RP125BA2**

NOTCH	SPL(dB)	LINE
High	41	○—○
Medium1	39	●—●
Medium2	36	△—△
Low	34	▲—▲



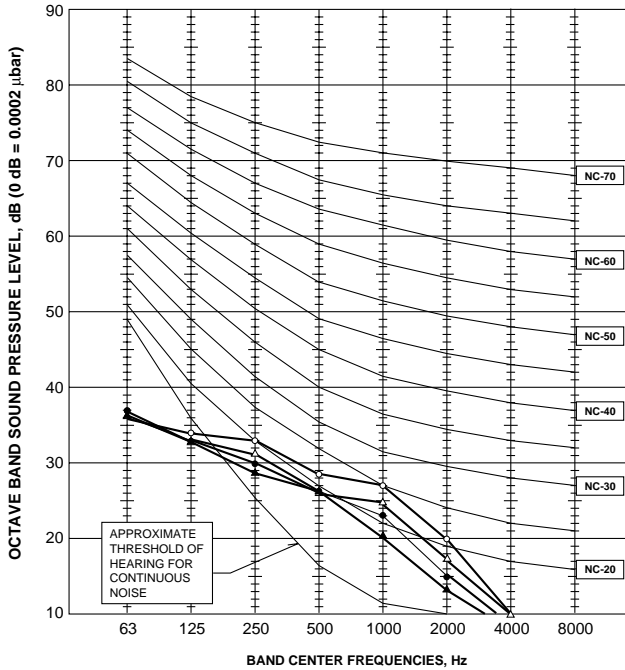
PLA-RP140BA

NOTCH	SPL(dB)	LINE
High	44	○—○
Medium1	42	●—●
Medium2	39	△—△
Low	36	▲—▲



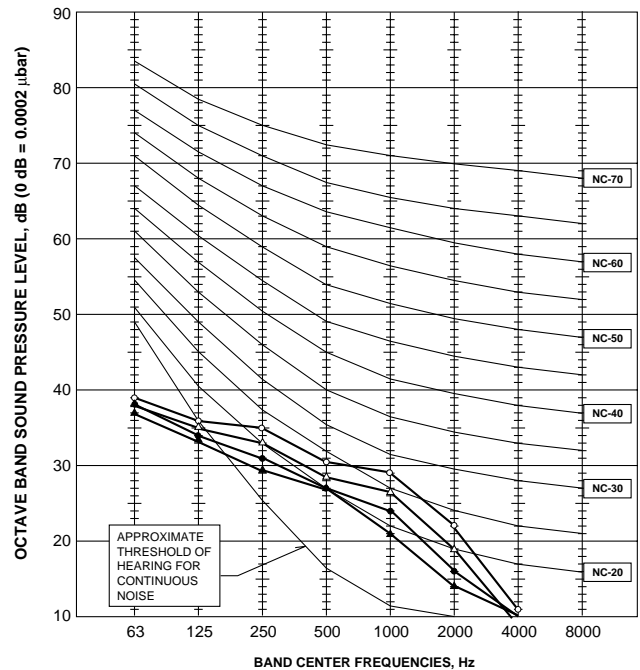
PLA-RP35AA

NOTCH	SPL(dB)	LINE
High	31	○—○
Medium1	29	△—△
Medium2	28	●—●
Low	27	▲—▲



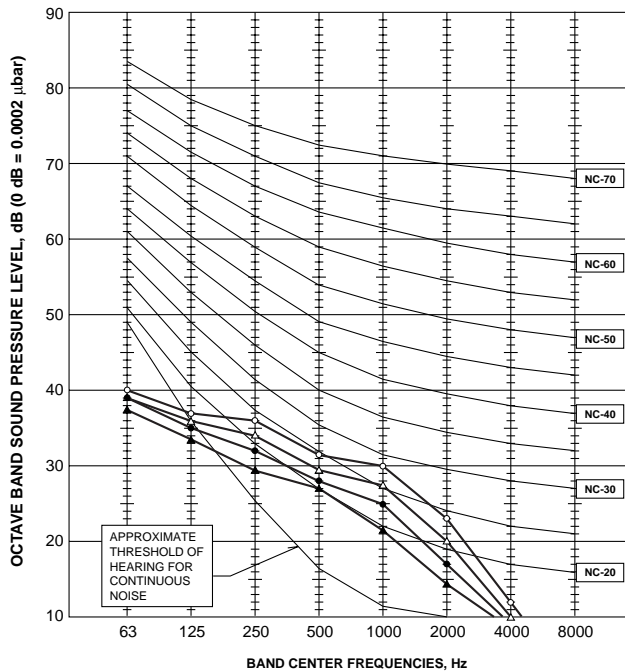
PLA-RP50AA PLA-RP60AA

NOTCH	SPL(dB)	LINE
High	33	○—○
Medium1	31	△—△
Medium2	29	●—●
Low	28	▲—▲



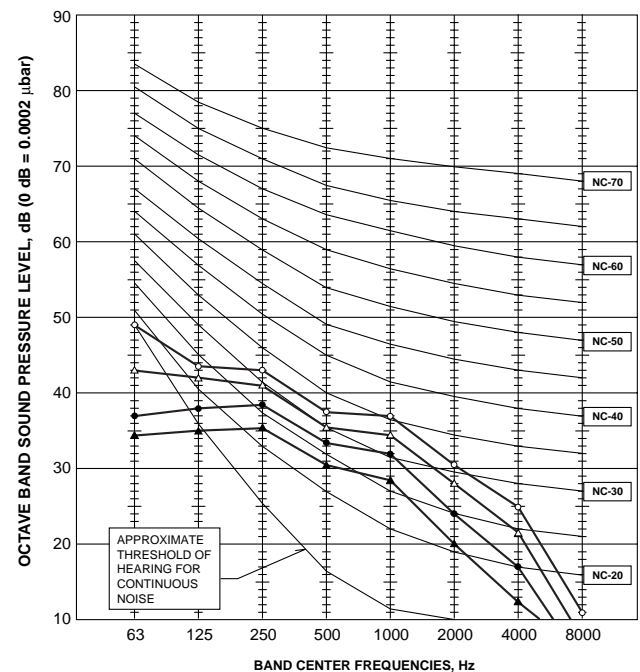
PLA-RP71AA

NOTCH	SPL(dB)	LINE
High	34	○—○
Medium1	32	△—△
Medium2	30	●—●
Low	28	▲—▲



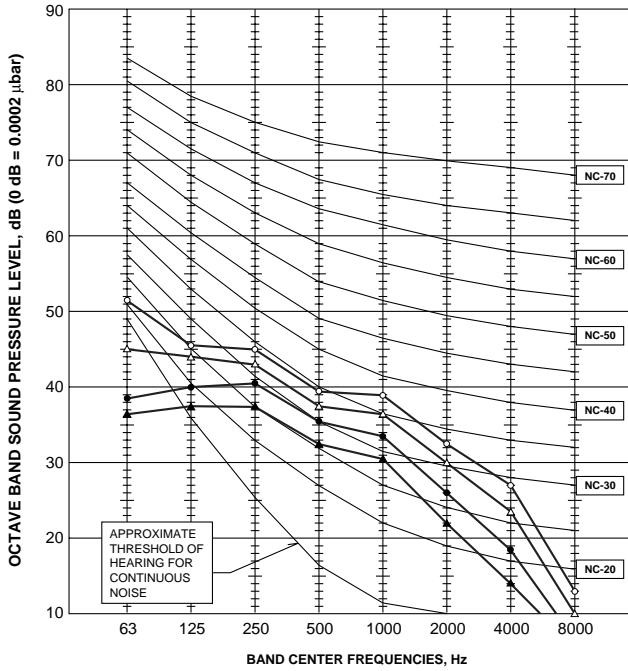
PLA-RP100AA2

NOTCH	SPL(dB)	LINE
High	41	○—○
Medium1	39	△—△
Medium2	36	●—●
Low	33	▲—▲



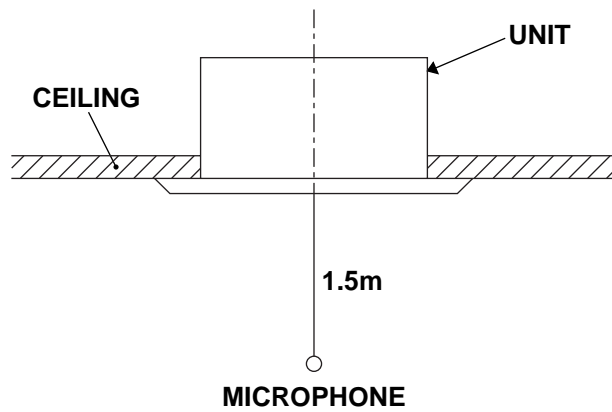
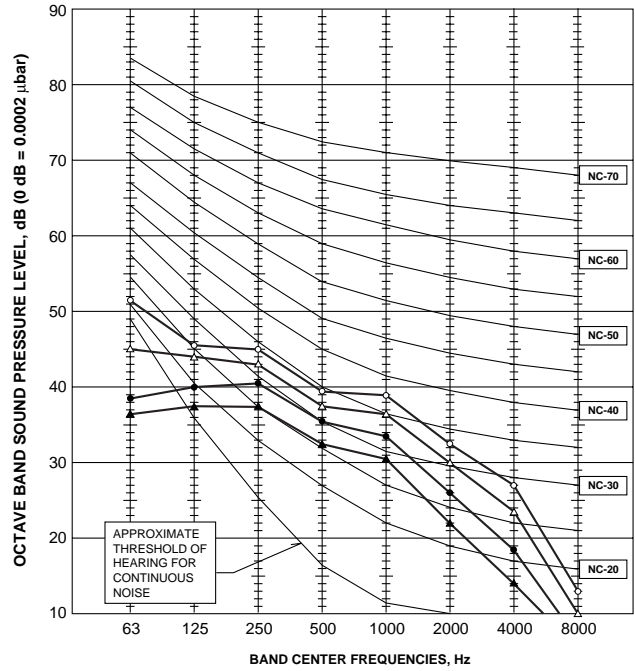
PLA-RP125AA2

NOTCH	SPL(dB)	LINE
High	45	○—○
Medium1	43	△—△
Medium2	40	●—●
Low	37	◄—►

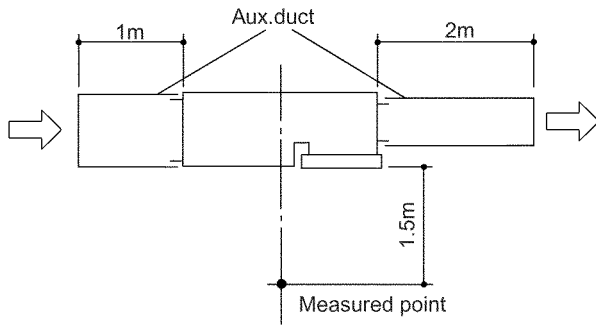


PLA-RP140AA2

NOTCH	SPL(dB)	LINE
High	45	○—○
Medium1	43	△—△
Medium2	40	●—●
Low	37	◄—►



Ceiling concealed

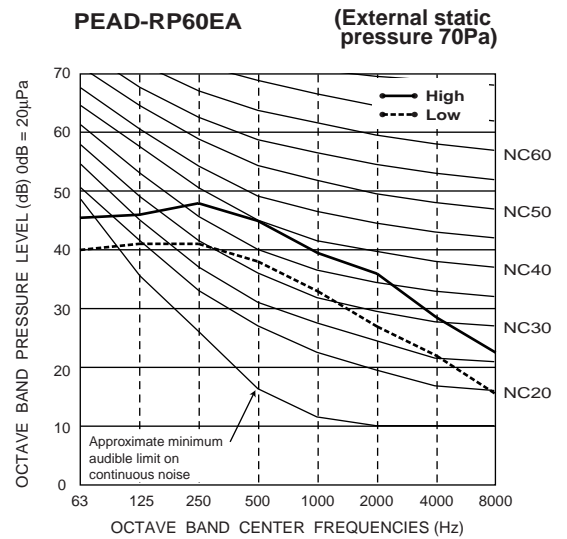
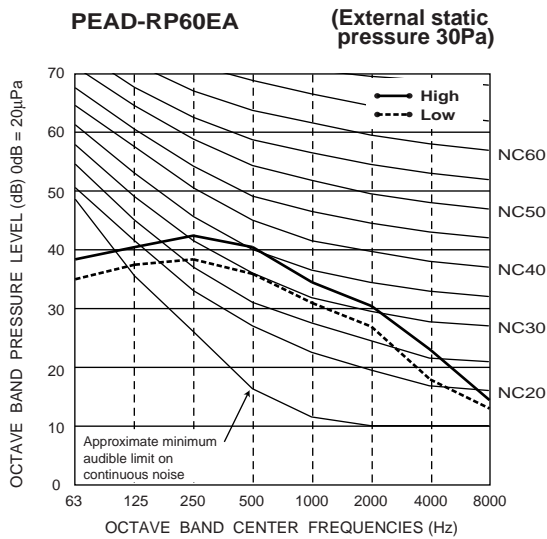
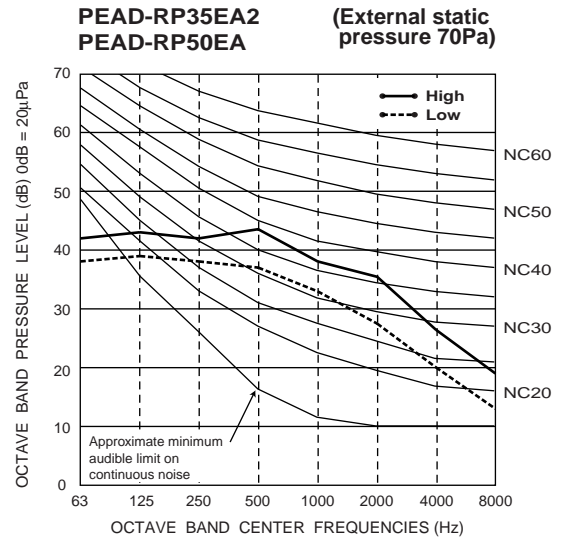
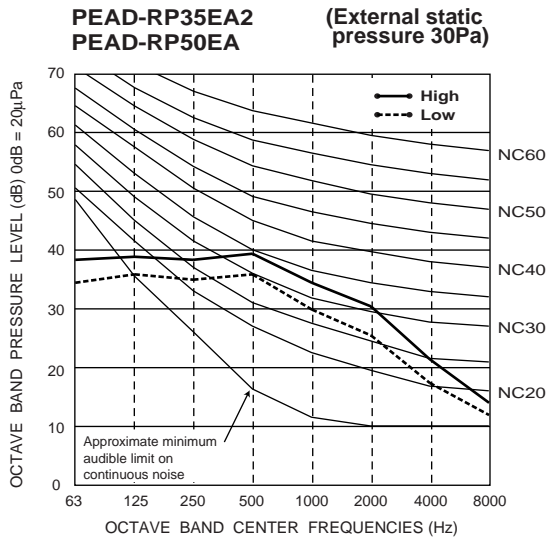


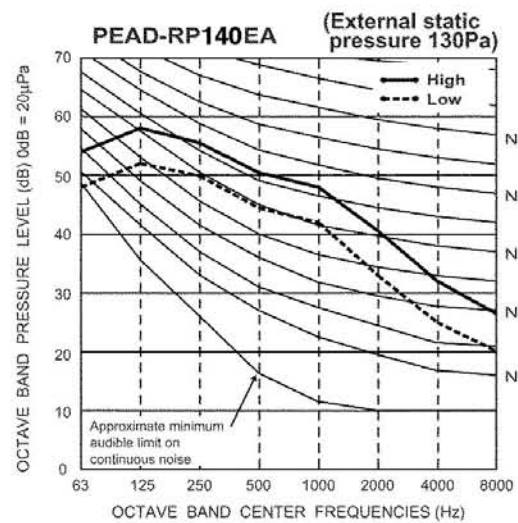
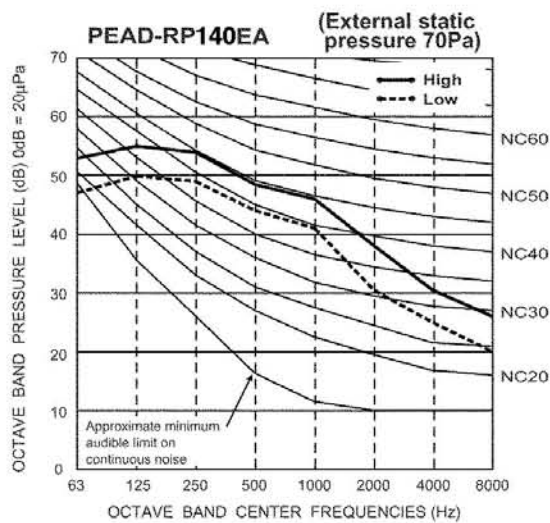
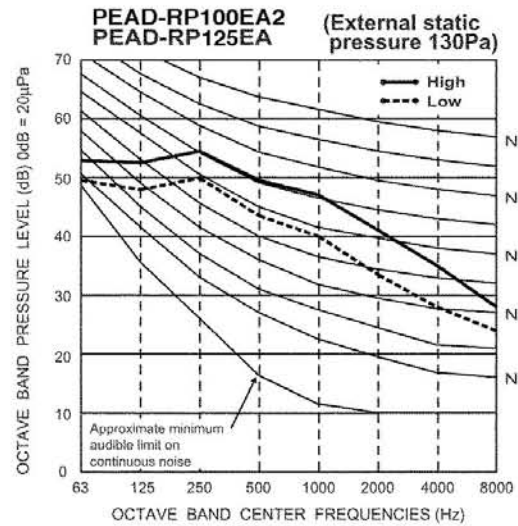
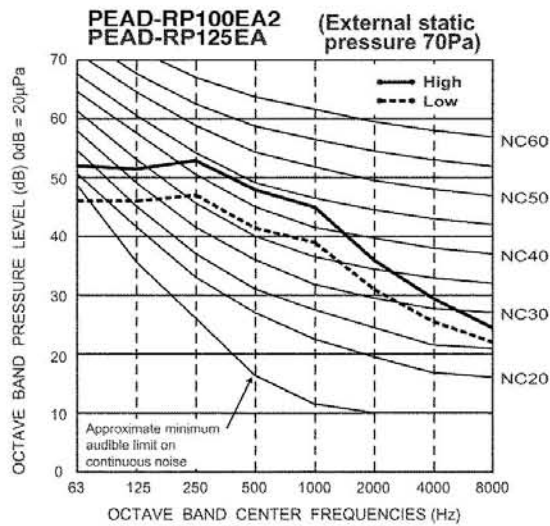
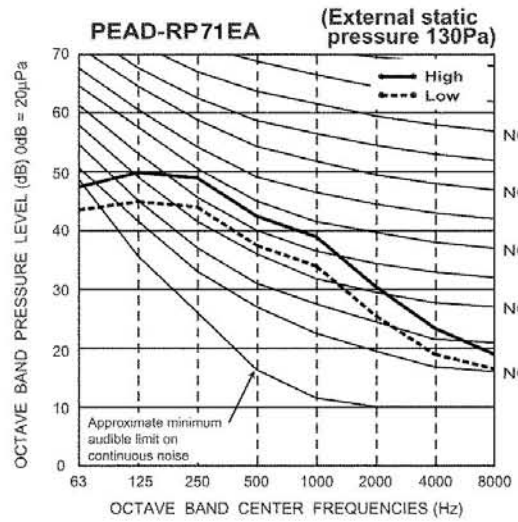
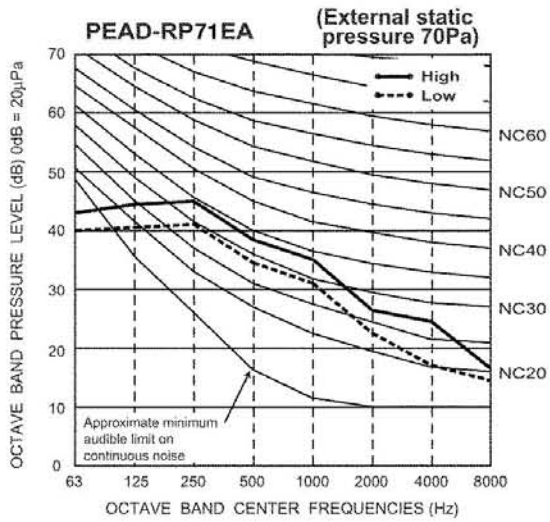
Noise level at anechoic room (Low-High)

Unit : dB(A)

Model	External static pressure		
	30Pa	70Pa	130Pa
PEAD-RP35EA2	36-40	38-44	-
PEAD-RP50EA	36-40	38-44	-
PEAD-RP60EA	37-41	39-46	-
PEAD-RP71EA	-	37-41	40-45 *
PEAD-RP100EA2	-	44-50	46-52 *
PEAD-RP125EA	-	44-50	46-52 *
PEAD-RP140EA	-	46-51	47-53 *

* Optional motor





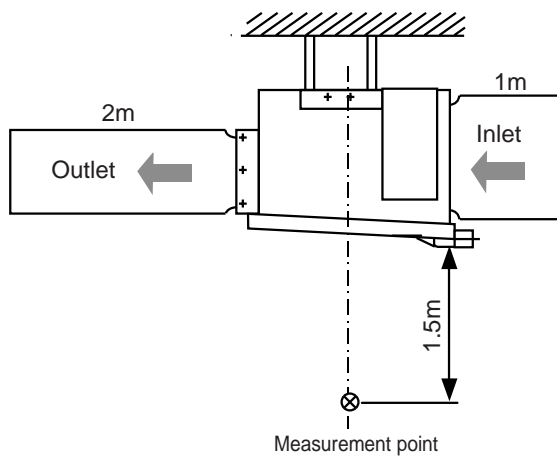
Sound Data

PEA-RP200, 250 : Upper High/Lower Low

Model	SPL dB(A)	OCTAVE BAND FREQ.Hz							
		63Hz	125Hz	250Hz	500Hz	1000Hz	2000Hz	4000Hz	8000Hz
PEA-RP200GA	51	55	54	51	49	47	43	33	27
	48	50	50	47	46	44	40	29	21
PEA-RP250GA	52	56	55	52	50	48	44	34	28
	49	51	51	48	47	45	41	30	22
PEA-RP400GA	52	53	51	52	50	46	44	39	30
PEA-RP500GA	53	55	54	51	50	48	44	40	31

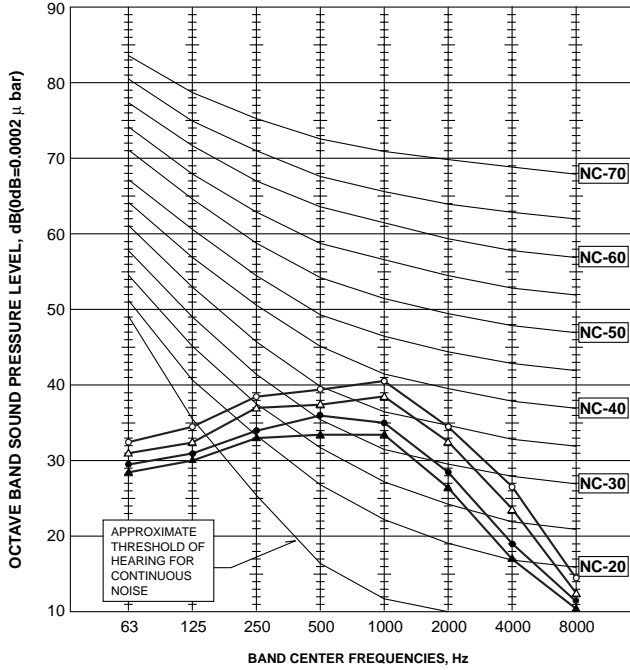
Position measurement

Indoor unit



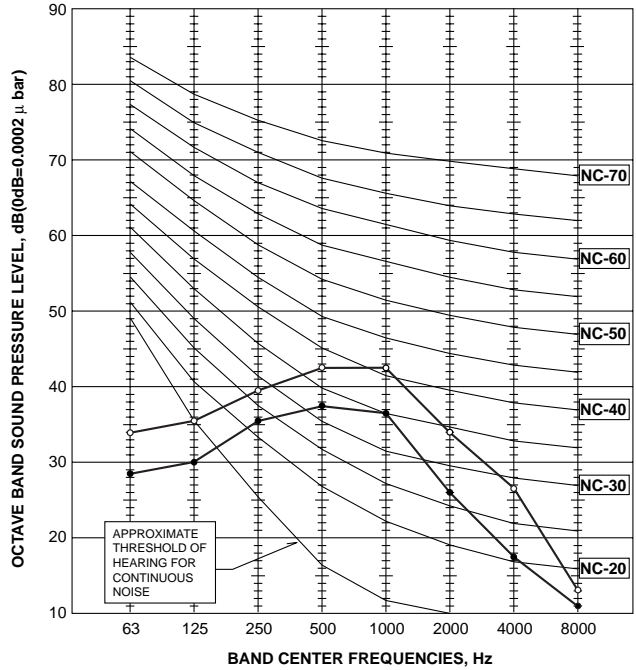
**PKA-RP35GAL
PKA-RP50GAL**

NOTCH	SPL(dB)	LINE
High	43	○—○
Medium1	41	△—△
Medium2	38	●—●
Low	36	▲—▲



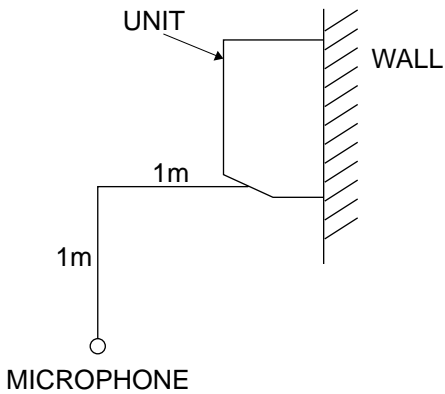
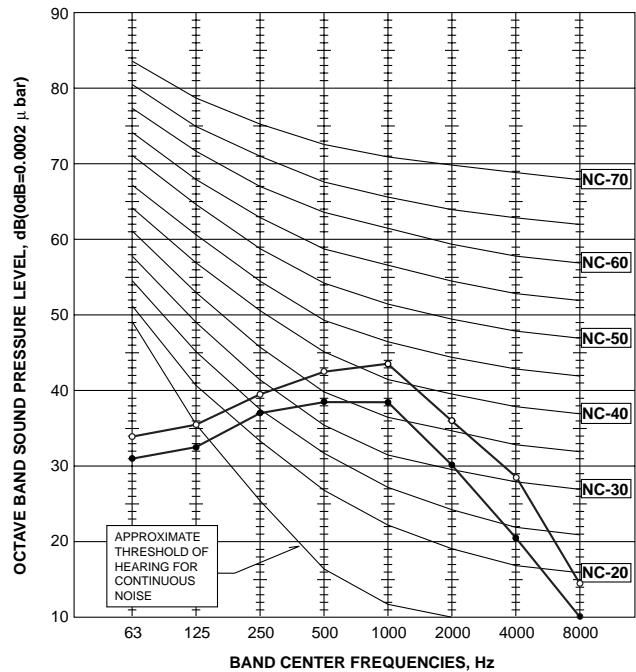
**PKA-RP50FAL2
PKA-RP60FAL
PKA-RP71FAL**

NOTCH	SPL(dB)	LINE
High	45	○—○
Low	39	●—●



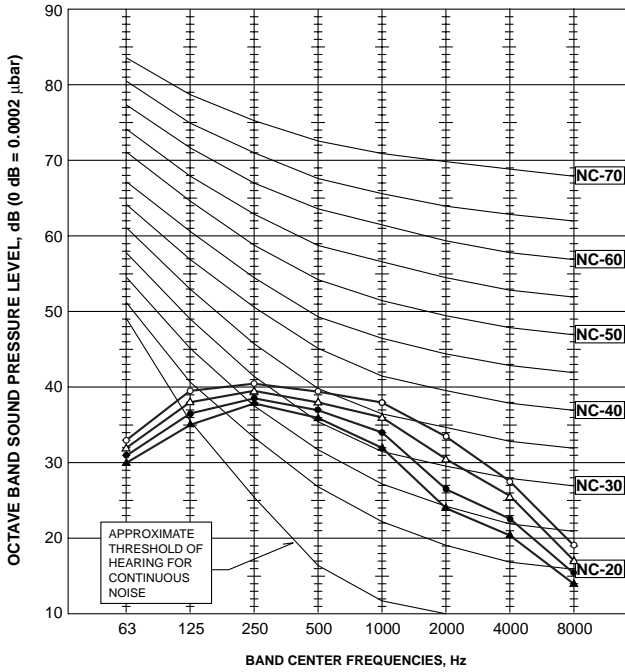
PKA-RP100FAL

NOTCH	SPL(dB)	LINE
High	46	○—○
Low	41	●—●



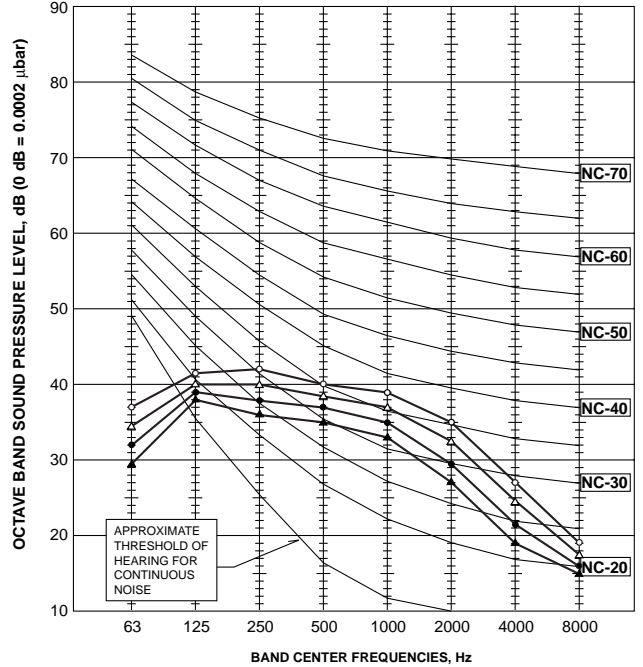
PCA-RP50GA

NOTCH	SPL(dB)	LINE
High	42	○—○
Medium1	40	△—△
Medium2	38	●—●
Low	37	▲—▲



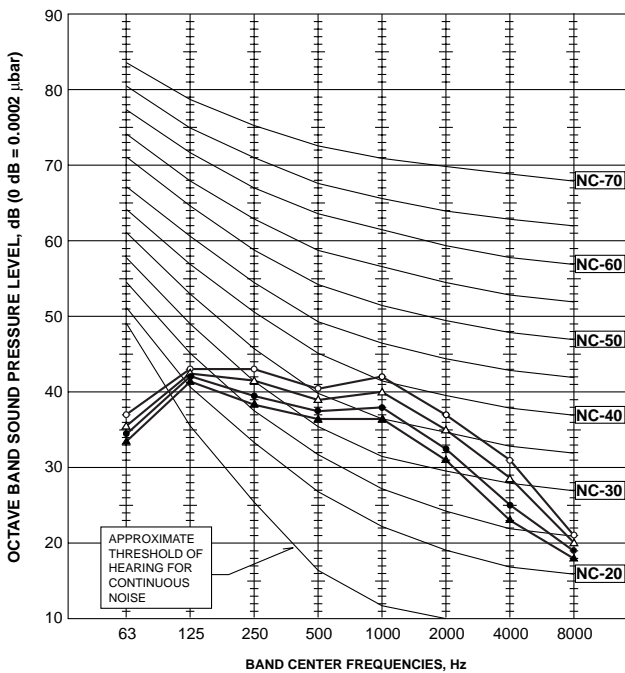
PCA-RP50GA2 PCA-RP60GA PCA-RP71GA

NOTCH	SPL(dB)	LINE
High	43	○—○
Medium1	41	△—△
Medium2	39	●—●
Low	37	▲—▲



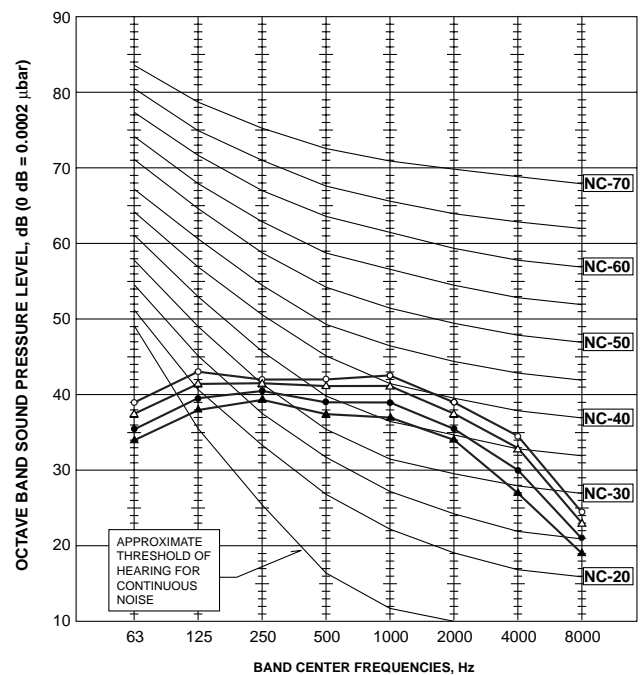
PCA-RP100GA

NOTCH	SPL(dB)	LINE
High	45	○—○
Medium1	43	△—△
Medium2	41	●—●
Low	40	▲—▲



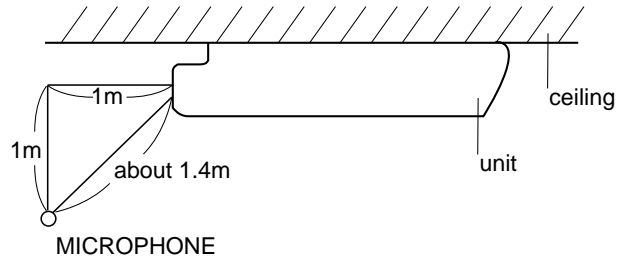
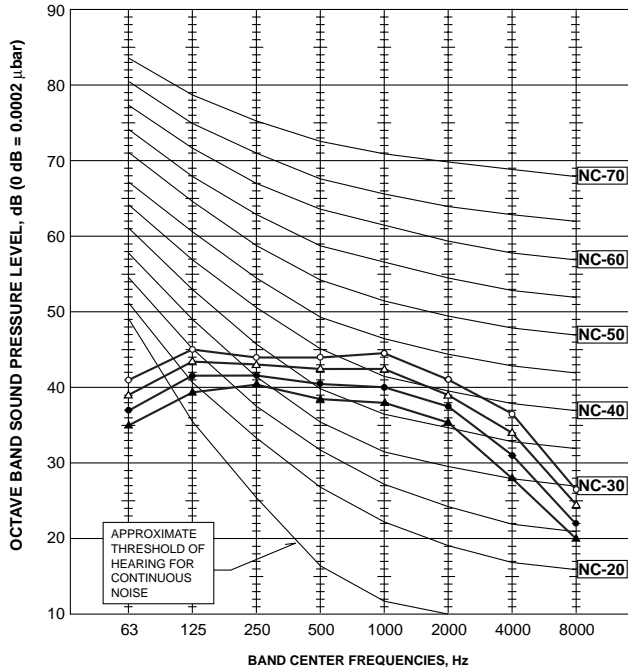
PCA-RP125GA

NOTCH	SPL(dB)	LINE
High	46	○—○
Medium1	45	△—△
Medium2	43	●—●
Low	41	▲—▲



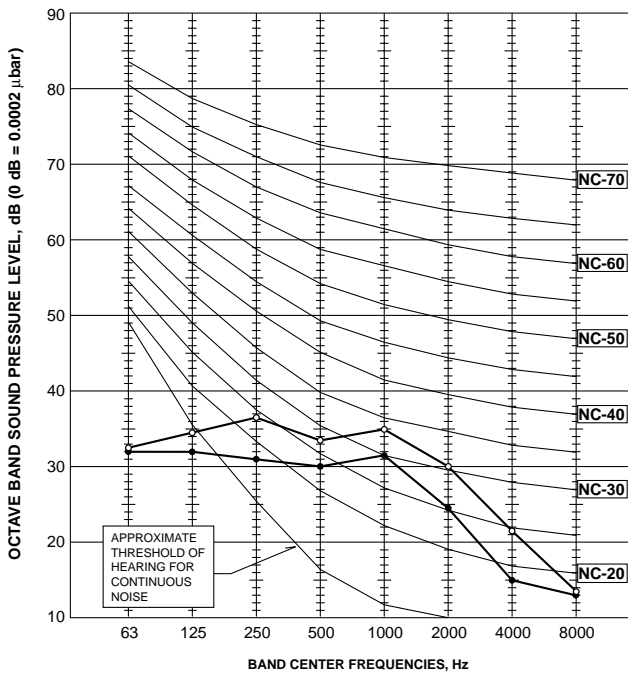
PCA-RP140GA

NOTCH	SPL(dB)	LINE
High	48	○—○
Medium1	46	△—△
Medium2	44	●—●
Low	42	▲—▲



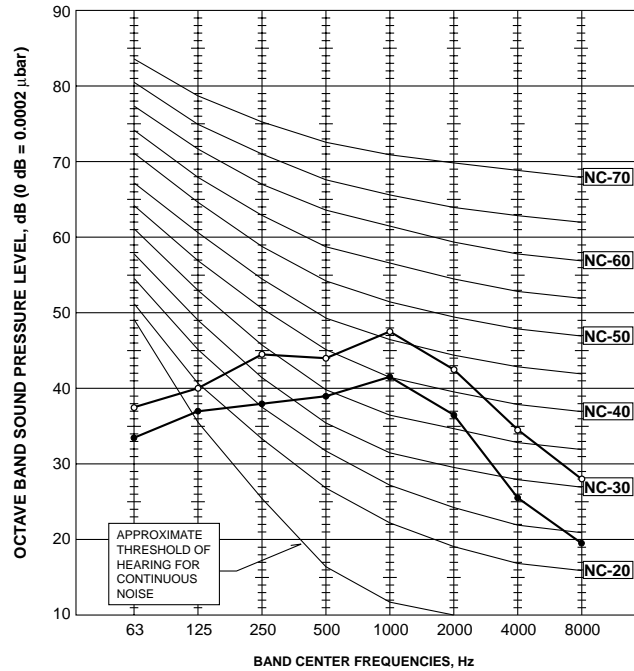
PCA-RP71HA

NOTCH	SPL(dB)	LINE
High	38	○—○
Low	34	●—●



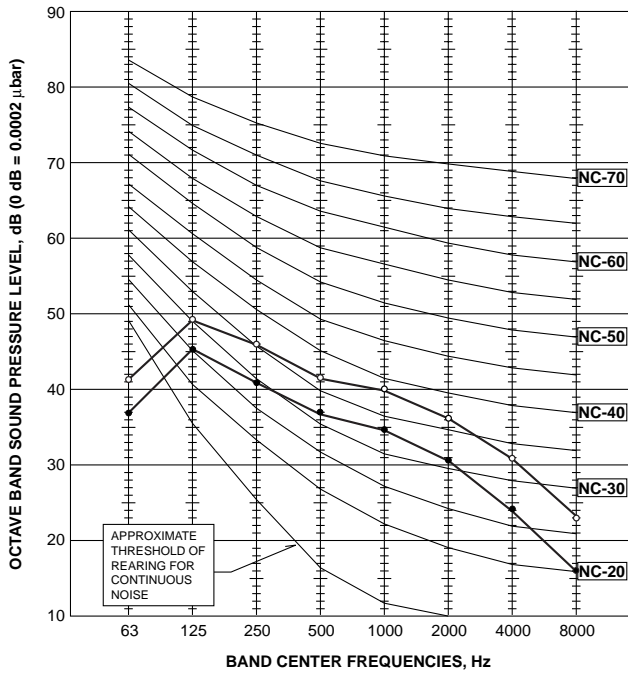
PCA-RP125HA

NOTCH	SPL(dB)	LINE
High	50	○—○
Low	44	●—●



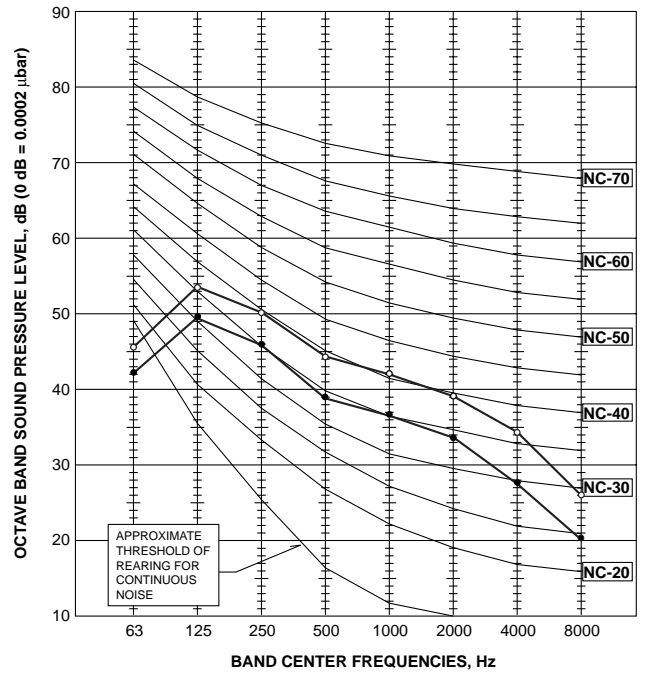
PSA-RP71GA

NOTCH	SPL(dB)	LINE
High	45	○—○
Low	40	●—●



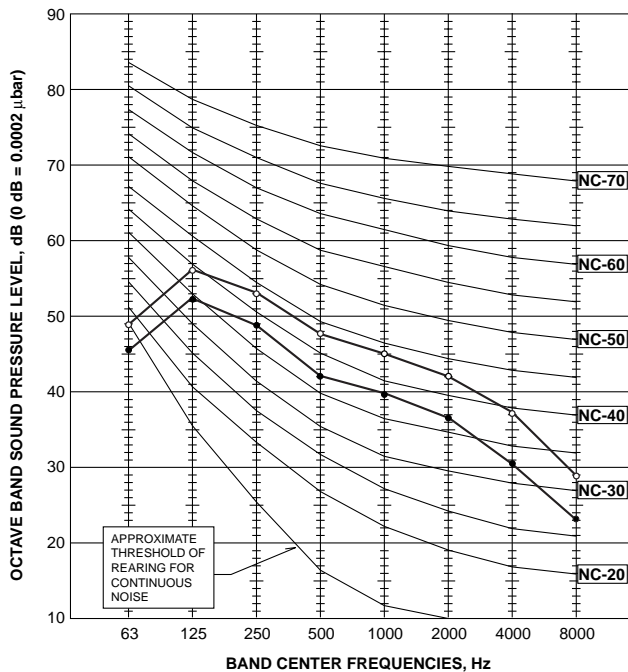
PSA-RP100GA

NOTCH	SPL(dB)	LINE
High	49	○—○
Low	44	●—●



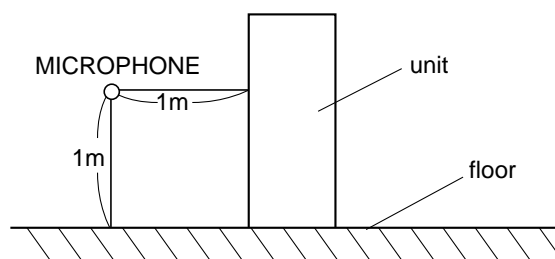
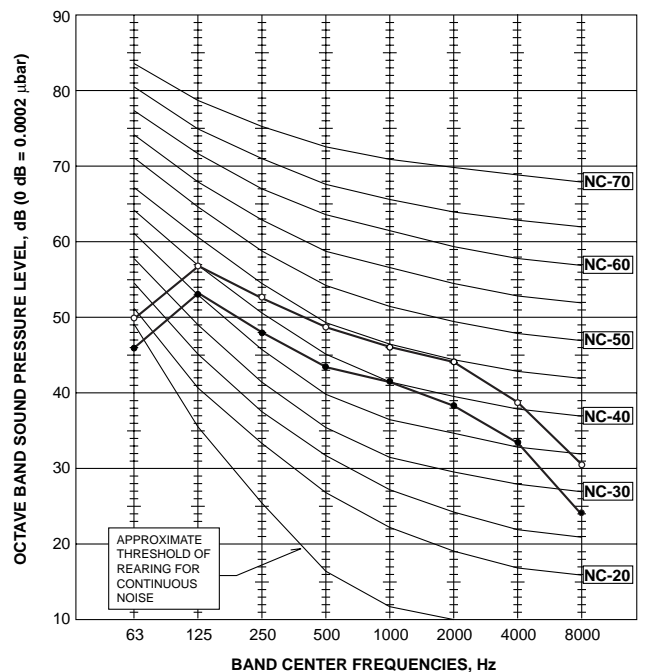
PSA-RP125GA

NOTCH	SPL(dB)	LINE
High	51	○—○
Low	46	●—●

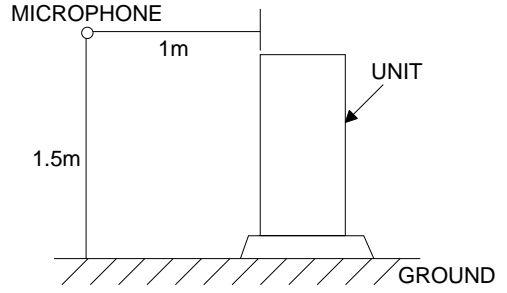


PSA-RP140GA

NOTCH	SPL(dB)	LINE
High	52	○—○
Low	47	●—●

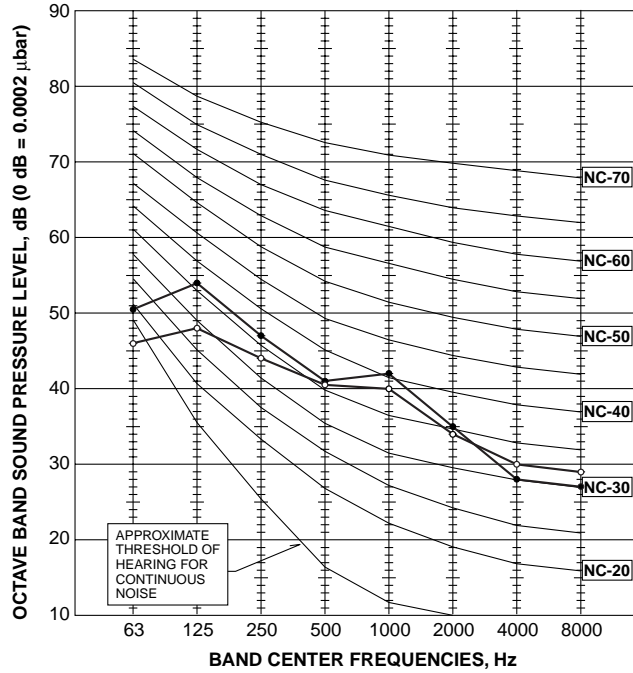


10-2. OUTDOOR UNIT



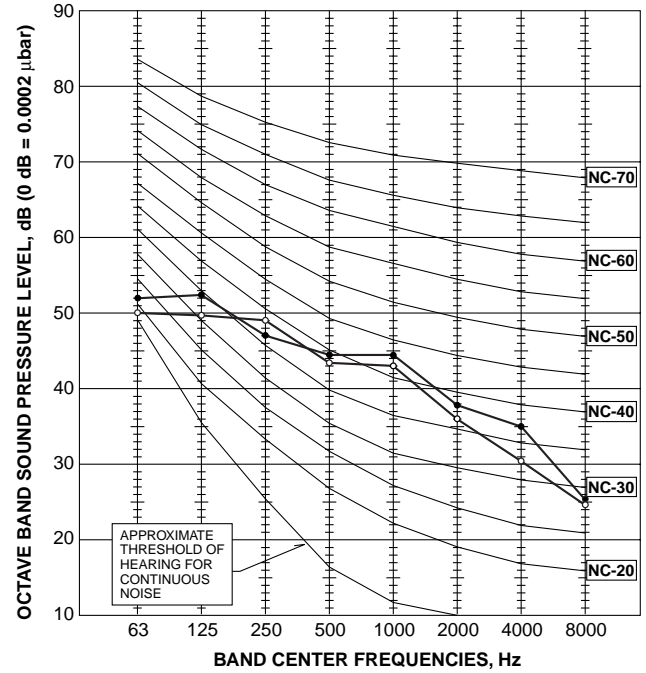
PUHZ-RP35VHA2
PUHZ-RP35VHA3
PUHZ-RP50VHA2
PUHZ-RP50VHA3

MODE	SPL(dB)	LINE
COOLING	44	○—○
HEATING	46	●—●



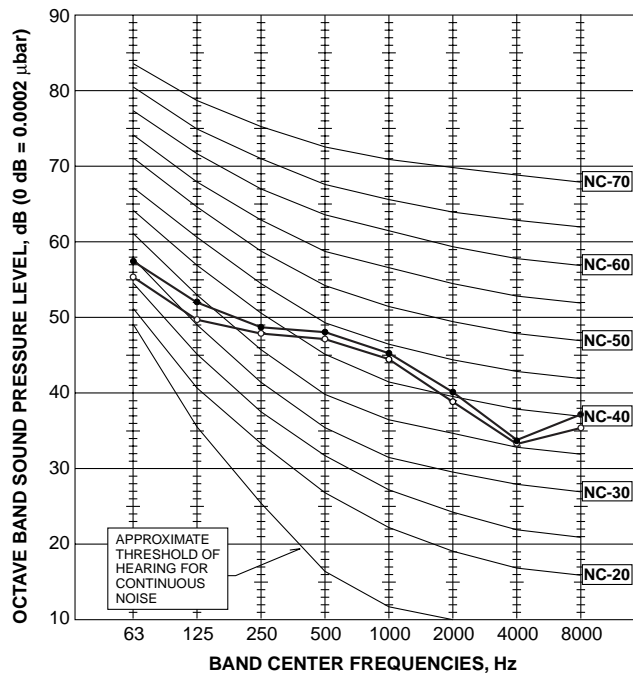
PUHZ-RP60VHA2
PUHZ-RP60VHA3
PUHZ-RP71VHA2
PUHZ-RP71VHA3

MODE	SPL(dB)	LINE
COOLING	47	○—○
HEATING	48	●—●



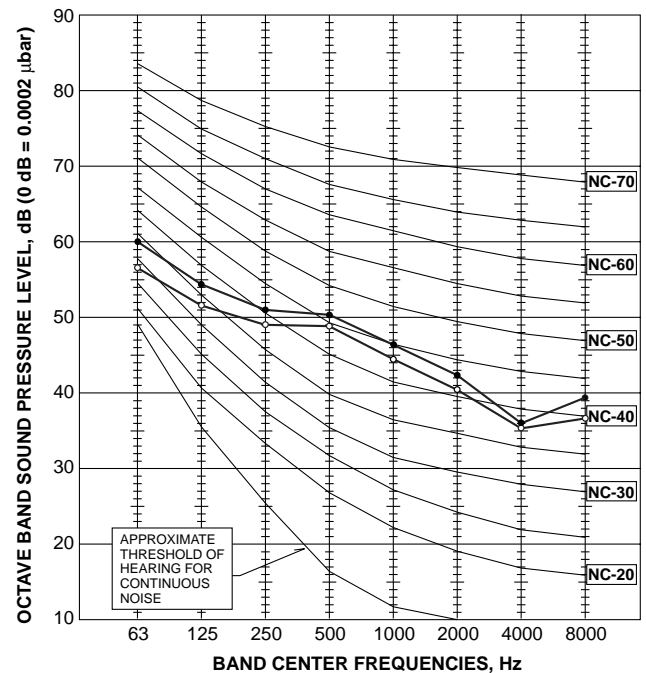
PUHZ-RP100VHA2
PUHZ-RP100VHA3
PUHZ-RP100YHA2
PUHZ-RP100YHA3

MODE	SPL(dB)	LINE
COOLING	49	○—○
HEATING	51	●—●



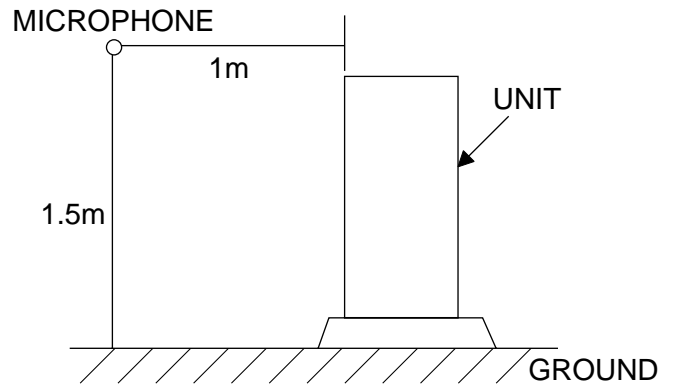
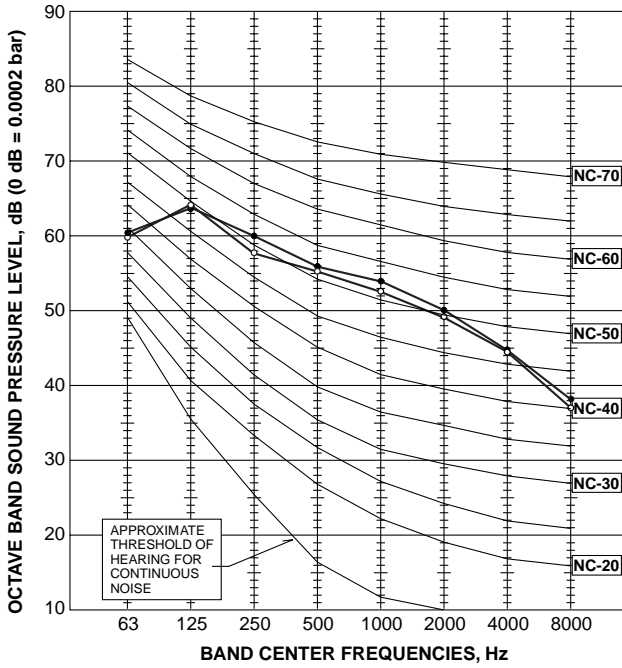
PUHZ-RP125VHA2
PUHZ-RP140VHA2
PUHZ-RP125YHA2
PUHZ-RP140YHA2

MODE	SPL(dB)	LINE
COOLING	50	○—○
HEATING	52	●—●



PUHZ-RP200YHA2
PUHZ-RP250YHA2

MODE	SPL(dB)	LINE
COOLING	58	○—○
HEATING	59	●—●



11-1. INDOOR UNIT

Part Name		Model Name	Applicable model
Remote sensor		PAC-SE41TS-E	All models
Remote operation adapter		PAC-SF40RM-E	
Multiple remote controller adapter		PAC-SA88HA-E (1pc.)	
		PAC-725AD (10pcs.)	
Remote on/off adapter		PAC-SE55RA-E	
Power supply terminal kit	L/N/Earth	PAC-SG96HR-E	PLA-RP-AA(2), PEAD-RP-EA(2) PCA-RP-GA(2), PKA-RP-GAL/FAL(2) PSA-RP-GA
		PAC-SH52HR-E	PLA-RP-BA(2)
	L/N	PAC-SG97HR-E	PCA-RP-HA PEAD-RP-GA
Decoration panel		PLP-6BA	PLA-RP-BA(2)
Decoration panel with Wireless remote controller		PLP-6BALM	
Decoration panel with Wired remote controller		PLP-6BAMD	
Decoration panel with i-see sensor		PLP-6BAE	
Decoration panel with i-see sensor, Wireless remote controller		PLP-6BALME	
Decoration panel with i-see sensor, Wired remote controller		PLP-6BAMDE	
Automatic filter elevation panel		PLP-6BAJ	
i-see sensor corner panel		PAC-SA1ME-E	
Wireless signal receiver		PAR-SA9FA-E	
Space panel		PAC-SH48AS-E	
Air outlet shutter plate		PAC-SH51SP-E	
Multi-function casement		PAC-SH53TM-E	
Flange for fresh air intake		PAC-SH65OF-E	
High-efficiency filter element (PAC-SH53TM-E is needed.)		PAC-SH59KF-E	
Multi-functional casement		PAC-SG03TM-E	
High-efficiency filter element (PAC-SG03TM-E is needed.)		PAC-SG01KF	
Grille + Wireless remote controller		PLP-6AALM	
Grille + Wired remote controller		PLP-6AAMD	
Space panel		PAC-SG04AS-E	
Air outlet shutter plate		PAC-SG06SP-E	
Wireless remote controller kit		PAR-SL99B-E	PCA-RP-GA(2)
Drain lift up mechanism		PAC-SH20DM-E	PCA-RP50,60GA(2)
		PAC-SH21DM-E	PCA-RP71GA
		PAC-SH22DM-E	PCA-RP100,125,140GA
High-efficiency filter		PAC-SE80KF-E	PCA-RP50GA
		PAC-SE81KF-E	PCA-RP50GA2, PCA-RP60,71,100GA
		PAC-SE82KF-E	PCA-RP125,140GA
Duct flange for fresh air		PAC-SF28OF-E	PCA-RP-HA
Oil mist filter element (12pcs)		PAC-SG38KF-E	
Decoration cover (Front + Suspending bracket cover)		PAC-SF81KC-E	PCA-RP71HA
		PAC-SF82KC-E	PCA-RP125HA
Wired remote controller (with terminal bed)		PAR-21MAAT-E	PKA-RP-GAL
			PKA-RP-FAL(2)
Drain lift up mechanism		PAC-SE90DM-E	PKA-RP-FAL(2)
Motor (for high external static pressure)		PAC-SK003MT-F	PEAD-RP125,140EA
			PEAD-RP100EA2
Drain lift up mechanism		PAC-KE03DM-F	PEAD-RP-EA,EA2
Insulation kit		PAC-SK010DK	PEAD-RP-GA

11-2. OUTDOOR UNIT

Part Name		Model Name	Applicable model
M-NET adapter		PAC-SF80MA-E	PUHZ-RP71-250
A-control service tool		PAC-SK52ST	PUHZ-RP71-250
Drain socket		PAC-SG61DS-E	PUHZ-RP71-250
Air outlet guide (RP100-250 need 2 pieces.)		PAC-SG59SG-E	PUHZ-RP71-250
Air protect guide (RP100-250 need 2 pieces.)		PAC-SG57AG-E	PUHZ-RP71-250
Drain pan		PAC-SG64DP-E	PUHZ-RP71-250
Filter dryer	(ϕ 9.52)	PAC-SG82DR-E	PUHZ-RP71-200
	(ϕ 12.7)	PAC-SG85DR-E	PUHZ-RP250
Distribution pipe	(Twin)	MSDD-50SR-E	PUHZ-RP71-140
		MSDD-50WR-E	PUHZ-RP200, 250
	(Triple)	MSDT-111R-E	PUHZ-RP140-250
	(Quadruple)	MSDF-1111R-E	PUHZ-RP200, 250
Joint pipe (Unit → Extension pipe)	(ϕ 15.88 → ϕ 19.05)	PAC-SG75RJ-E	PUHZ-RP71-140

Mr. SLIM™

 **MITSUBISHI ELECTRIC CORPORATION**

HEAD OFFICE : TOKYO BLDG., 2-7-3, MARUNOUCHI, CHIYODA-KU, TOKYO 100-8310, JAPAN

©Copyright 2006 MITSUBISHI ELECTRIC ENGINEERING CO., LTD.
Distributed in Apr. 2008 No.OCS05 REVISED EDITION-E PDF 7
Distributed in Nov. 2007 No.OCS05 REVISED EDITION-D PDF 7
Distributed in Jun. 2007 No.OCS05 REVISED EDITION-C PDF 7
Distributed in Jul. 2006 No.OCS05 REVISED EDITION-B PDF 7
Distributed in May 2006 No.OCS05 REVISED EDITION-A PDF 8
Distributed in Feb. 2006 No.OCS05 PDF 8
Made in Japan

New publication, effective Apr. 2008
Specifications subject to change without notice.